



Profit from the Eagle Advantage®

Foodservice Division: (800) 441-8440

MHC/Retail Display Divisions: (800) 637-5100

FAX: (302) 653-2065

Product Announcement

Short Form Specifications

Eagle Cool Trough™ with Gray Fiberglass Grating, model _____ . Features subway-style grating. Unit constructed of 14/304 stainless steel all-welded construction. Built-in pitch towards a 4" drain with removable perforated basket. Integral mechanical temperature sensor maintains water temperature of 140°F or less.

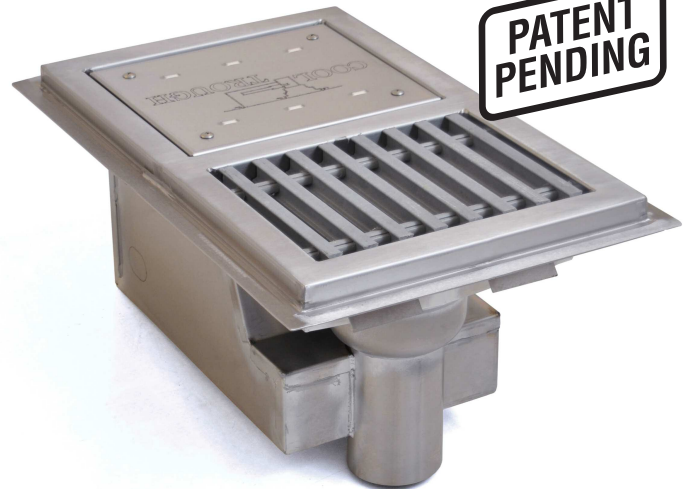
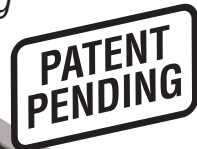
Item #:	_____
Model #:	_____
Project #:	_____
SIS #:	_____

EG8138A Rev. 03/15



Cool Trough™ Water Tempering Systems

With Gray Fiberglass Grating



model #WTFT-1215-FGG

Design & Construction Features

- Built-in pitch towards drain ensures complete drainage.
- Lift-out grating available in anti-slip gray fiberglass or stainless steel.
- 4" (76mm) diameter drain with removable basket style strainer.
- No electrical connection required.
- Shutoff valve provided accepts 1" water line *.
- Reduced pressure valve –includes two check valves.
- Stainless steel anchor clip.
- 14 gauge stainless steel access compartment.
- Troughs available in widths ranging from 12" to 24" (305 to 610mm).
- 18" to 120" (457 to 3048mm) lengths available.
- Anti-splash troughs available.

* Water line and connection provided by plumbing contractor.

For custom configuration or fabrication needs, contact our **SpecFAB® Division**.

Phone: (302) 653-3000. FAX: (302) 653-2065.

E-mail: quotes@eaglegrp.com

Section 701.7 of the International Plumbing Code mandates that water entering a drainage system cannot exceed 140°F, which could cause problems with PVC pipes and other safety and environmental issues. The Cool Trough™ is designed to activate the temperature sensor at 130°F and turn off the mixing valve at 120°F, thus using water only when required.

Many facilities which utilize equipment such as boilers, humidifiers, sterilizers, and commercial equipment typically produce drain water over 140°F. The water must be cooled, or "tempered," before entering drain lines. The operation of the Cool Trough™ requires no additional steps for the operator. It only generates economic rewards by extending the life of the drainage system.

Also, because the valve is mechanically actuated, there is no need for electrical connection, which means there is no chance of an electrical component failure.

Hook a cold water line to the shutoff valve provided, and protection for your drain lines is ensured.

For utilization in (but not limited to):

- Food Production
- Manufacturing Facilities
- Processing
- Commercial Kitchens

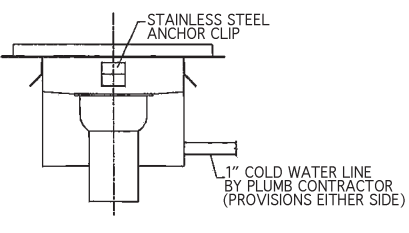
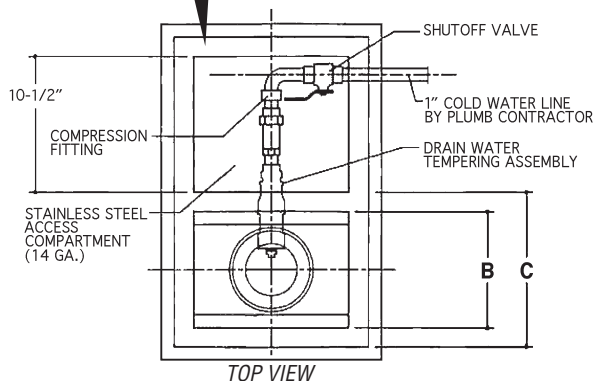
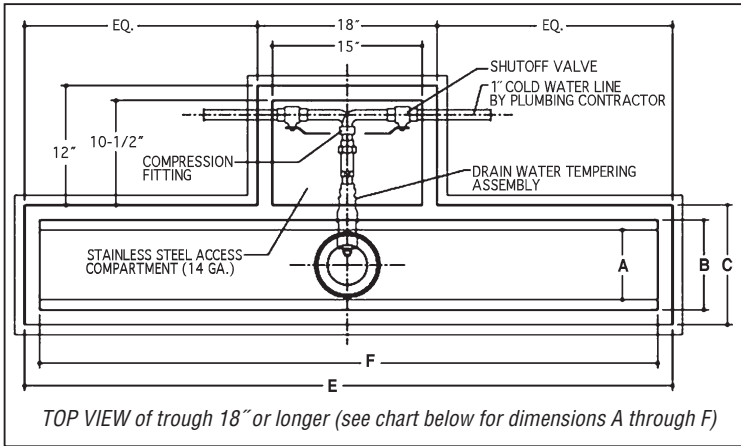




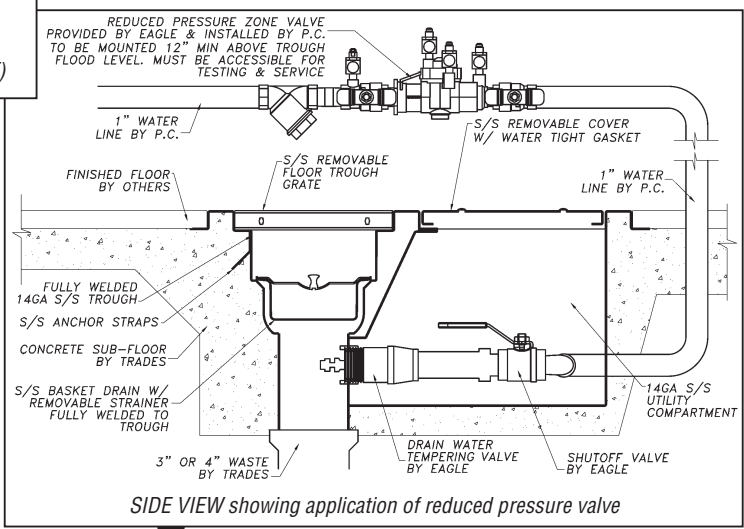
Profit from the Eagle Advantage[®]

Cool Trough[™] With Gray Fiberglass Grating

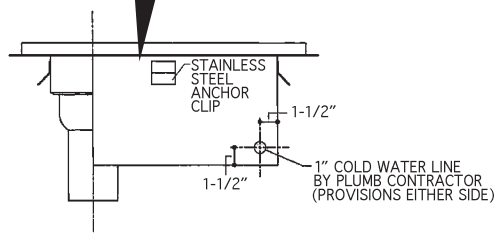
PATENT PENDING



FRONT VIEW



SIDE VIEW showing application of reduced pressure valve



SIDE VIEW

dimension E		dimension F		12" (305mm)-WIDE TROUGHS		15" (381mm)-WIDE TROUGHS		18" (457mm)-WIDE TROUGHS		24" (610mm)-WIDE TROUGHS									
in.	mm	in.	mm	dimension A: 7" (178mm)	dimension B: 9" (229mm)	dimension C: 12" (305mm)	dimension D: 9.25" (232mm)	dimension A: 10" (254mm)	dimension B: 12" (305mm)	dimension C: 15" (381mm)	dimension D: 12.25" (311mm)	dimension A: 13" (330mm)	dimension B: 15" (381mm)	dimension C: 18" (457mm)	dimension D: 15.25" (387mm)	dimension A: 19" (483mm)	dimension B: 21" (533mm)	dimension C: 24" (610mm)	dimension D: 21.25" (540mm)
model #	list	model #	list	model #	list	model #	list	model #	list	model #	list	model #	list	model #	list	model #	list	model #	list
15"	381	12"	305	WTFT-1215-FGG	\$10236	n/a	n/a	n/a	n/a	n/a	n/a	n/a	n/a	n/a	n/a	n/a	n/a	n/a	n/a
18"	457	15"	381	WTFT-1218-FGG	10752	WTFT-1518-FGG	10461	n/a	n/a	n/a	n/a	n/a	n/a	n/a	n/a	n/a	n/a	n/a	n/a
24"	610	21"	533	WTFT-1224-FGG	10920	WTFT-1524-FGG	10963	WTFT-1824-FGG	11127	WTFT-2424-FGG	11293	WTFT-1230-FGG	11130	WTFT-1530-FGG	11153	WTFT-1830-FGG	11372	WTFT-2430-FGG	11614
30"	762	27"	686	WTFT-1236-FGG	11244	WTFT-1536-FGG	11266	WTFT-1836-FGG	11559	WTFT-2436-FGG	11838	WTFT-1248-FGG	11611	WTFT-1548-FGG	11646	WTFT-1848-FGG	12002	WTFT-2448-FGG	12374
36"	914	33"	838	WTFT-1260-FGG	11848	WTFT-1560-FGG	11938	WTFT-1860-FGG	12381	WTFT-2460-FGG	12904	WTFT-1272-FGG	12248	WTFT-1572-FGG	12317	WTFT-1872-FGG	12807	WTFT-2472-FGG	12941
48"	1219	45"	1143	WTFT-1284-FGG	12576	WTFT-1584-FGG	12684	WTFT-1884-FGG	13279	WTFT-2484-FGG	13969	WTFT-1296-FGG	12926	WTFT-1596-FGG	12995	WTFT-1896-FGG	13694	WTFT-2496-FGG	14461

Foodservice Division: (800) 441-8440 • MHC/Retail Display Division: (800) 637-5100 • Fax: (302) 653-2065 • www.eaglegrp.com

Although every attempt has been made to ensure the accuracy of the information provided, we cannot be held responsible for typographical or printing errors. Information and specifications are subject to change without notice. Please confirm at time of order.



Profit from the Eagle Advantage®

Foodservice Division: (800) 441-8440

MHC/Retail Display Divisions: (800) 637-5100

FAX: (302) 653-2065

Product Announcement

Short Form Specifications

Eagle Cool Trough™ with Stainless Steel Grating, model _____ . Features subway-style grating. Unit constructed of 14/304 stainless steel all-welded construction. Built-in pitch towards a 4" drain with removable perforated basket. Integral mechanical temperature sensor maintains water temperature of 140°F or less.

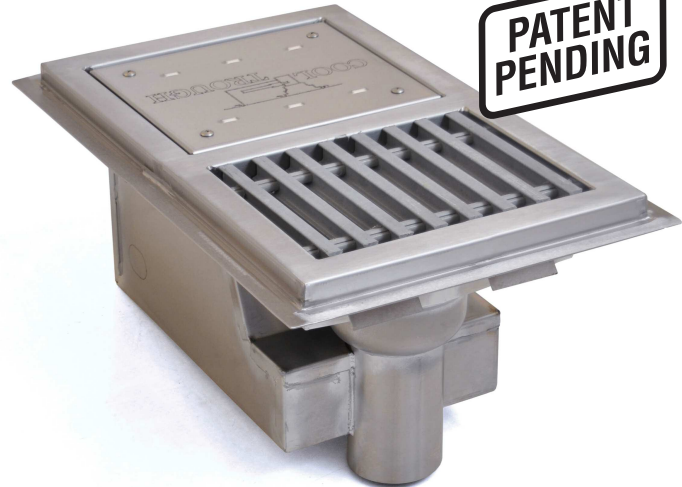
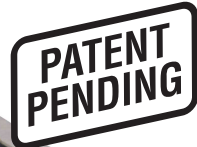
Item #:	_____
Model #:	_____
Project #:	_____
SIS #:	_____

EG8138B Rev. 03/15



Cool Trough™ Water Tempering Systems

With Stainless Steel Grating



model #WTFT-1215-FGG

Design & Construction Features

- Built-in pitch towards drain ensures complete drainage.
- Lift-out grating available in anti-slip gray fiberglass or stainless steel.
- 4" (76mm) diameter drain with removable basket style strainer.
- No electrical connection required.
- Shutoff valve provided accepts 1" water line *.
- Reduced pressure valve –includes two check valves.
- Stainless steel anchor clip.
- 14 gauge stainless steel access compartment.
- Troughs available in widths ranging from 12" to 24" (305 to 610mm).
- 18" to 120" (457 to 3048mm) lengths available.
- Anti-splash troughs available.

* Water line and connection provided by plumbing contractor.

For custom configuration or fabrication needs, contact our **SpecFAB® Division**.

Phone: (302) 653-3000. FAX: (302) 653-2065.

E-mail: quotes@eaglegrp.com

Section 701.7 of the International Plumbing Code mandates that water entering a drainage system cannot exceed 140°F, which could cause problems with PVC pipes and other safety and environmental issues. The Cool Trough™ is designed to activate the temperature sensor at 130°F and turn off the mixing valve at 120°F, thus using water only when required.

Many facilities which utilize equipment such as boilers, humidifiers, sterilizers, and commercial equipment typically produce drain water over 140°F. The water must be cooled, or "tempered," before entering drain lines. The operation of the Cool Trough™ requires no additional steps for the operator. It only generates economic rewards by extending the life of the drainage system.

Also, because the valve is mechanically actuated, there is no need for electrical connection, which means there is no chance of an electrical component failure.

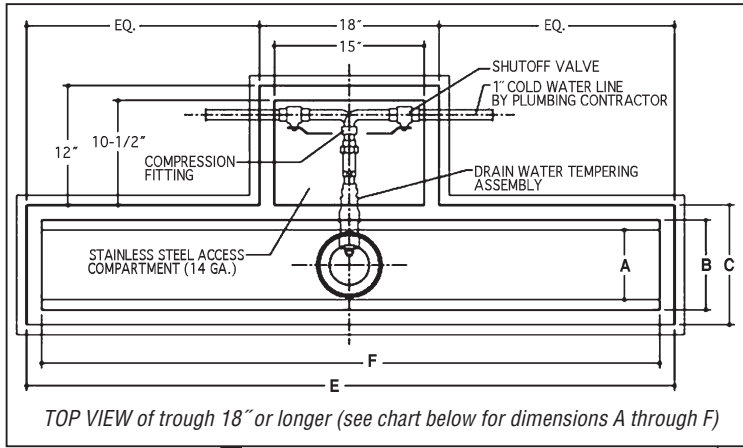
Hook a cold water line to the shutoff valve provided, and protection for your drain lines is ensured.

For utilization in (but not limited to):

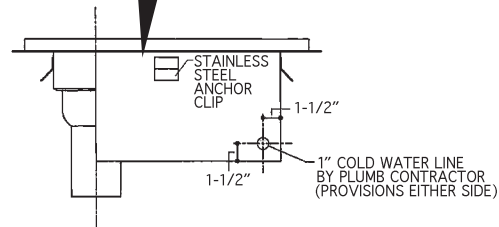
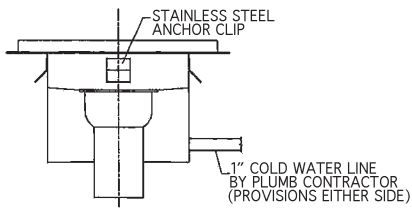
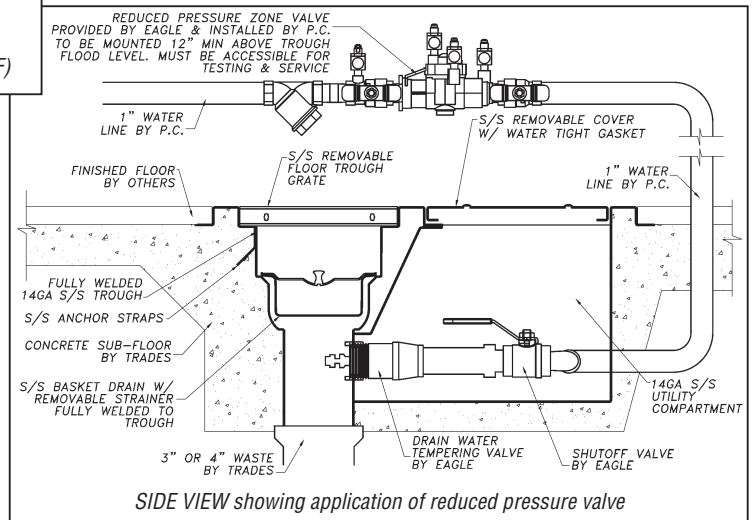
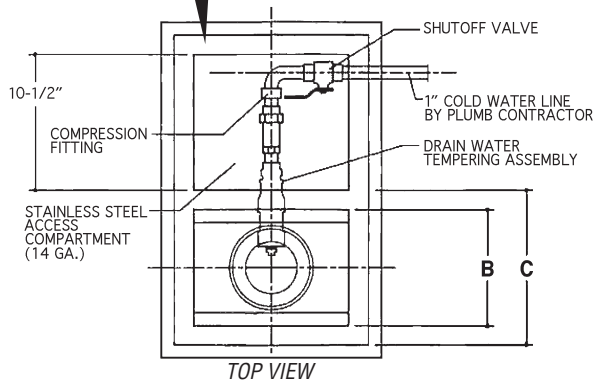
- Food Production
- Manufacturing Facilities
- Processing
- Commercial Kitchens



Cool Trough™ With Stainless Steel Grating



PATENT PENDING



dimension E		dimension F		12" (305mm)-WIDE TROUGHS		15" (381mm)-WIDE TROUGHS		18" (457mm)-WIDE TROUGHS		24" (610mm)-WIDE TROUGHS									
in.	mm	in.	mm	dimension A: 7" (178mm)	dimension B: 9" (229mm)	dimension C: 12" (305mm)	dimension D: 9.25" (232mm)	dimension A: 10" (254mm)	dimension B: 12" (305mm)	dimension C: 15" (381mm)	dimension D: 12.25" (311mm)	dimension A: 13" (330mm)	dimension B: 15" (381mm)	dimension C: 18" (457mm)	dimension D: 15.25" (387mm)	dimension A: 19" (483mm)	dimension B: 21" (533mm)	dimension C: 24" (610mm)	dimension D: 21.25" (540mm)
model #	list	model #	list	model #	list	model #	list	model #	list	model #	list	model #	list	model #	list	model #	list	model #	list
15"	381	12"	305	WTFT-1215-SG	\$11279	n/a	n/a	n/a	n/a	n/a	n/a	n/a	n/a	n/a	n/a	n/a	n/a	n/a	n/a
18"	457	15"	381	WTFT-1218-SG	11530	WTFT-1518-SG	11427	n/a	n/a	n/a	n/a	n/a	n/a	n/a	n/a	n/a	n/a	n/a	n/a
24"	610	21"	533	WTFT-1224-SG	11665	WTFT-1524-SG	11850	WTFT-1824-SG	12028	WTFT-2424-SG	12717	WTFT-1830-SG	12209	WTFT-2430-SG	12880	WTFT-2436-SG	13458	WTFT-2448-SG	14200
30"	762	27"	686	WTFT-1230-SG	11755	WTFT-1530-SG	11923	WTFT-1836-SG	12393	WTFT-2436-SG	13458	WTFT-1836-SG	12393	WTFT-2436-SG	13458	WTFT-2448-SG	14200	WTFT-2460-SG	14860
36"	914	33"	838	WTFT-1236-SG	11846	WTFT-1536-SG	12355	WTFT-1836-SG	12393	WTFT-2436-SG	13458	WTFT-1836-SG	12393	WTFT-2436-SG	13458	WTFT-2448-SG	14200	WTFT-2460-SG	14860
48"	1219	45"	1143	WTFT-1248-SG	12575	WTFT-1548-SG	13136	WTFT-1848-SG	13622	WTFT-2448-SG	14200	WTFT-1848-SG	13622	WTFT-2448-SG	14200	WTFT-2460-SG	14860	WTFT-2472-SG	15850
60"	1524	57"	1448	WTFT-1260-SG	13336	WTFT-1560-SG	13885	WTFT-1860-SG	14090	WTFT-2460-SG	14860	WTFT-1860-SG	14090	WTFT-2460-SG	14860	WTFT-2484-SG	16510	WTFT-2496-SG	17335
72"	1829	69"	1753	WTFT-1272-SG	14018	WTFT-1572-SG	14654	WTFT-1872-SG	15309	WTFT-2472-SG	15850	WTFT-1872-SG	15309	WTFT-2472-SG	15850	WTFT-2484-SG	16510	WTFT-2496-SG	17335
84"	2134	81"	2057	WTFT-1284-SG	14940	WTFT-1584-SG	15425	WTFT-1884-SG	15847	WTFT-2484-SG	16510	WTFT-1884-SG	15847	WTFT-2484-SG	16510	WTFT-2496-SG	17335	WTFT-2496-SG	17335
96"	2438	93"	2362	WTFT-1296-SG	15118	WTFT-1596-SG	16147	WTFT-1896-SG	16968	WTFT-2496-SG	17335	WTFT-1896-SG	16968	WTFT-2496-SG	17335	WTFT-2496-SG	17335	WTFT-2496-SG	17335



Profit from the Eagle Advantage®

Foodservice Division: (800) 441-8440

MHC/Retail Display Divisions: (800) 637-5100

FAX: (302) 653-2065

Product Announcement

Short Form Specifications

Eagle Cool Trough™ Anti-Splash System with Gray Fiberglass Grating, model _____. Features subway-style grating. Unit constructed of 14/304 stainless steel all-welded construction. Built-in pitch towards a 4" drain with removable perforated basket. Integral mechanical temperature sensor maintains water temperature of 140°F or less.

Item #:	_____
Model #:	_____
Project #:	_____
SIS #:	_____

EG8138C Rev. 03/15



Cool Trough™ Anti-Splash Water Tempering Systems

With Gray Fiberglass Grating



model #ASASWTFT-1215-FGG

Design & Construction Features

- Built-in pitch towards drain ensures complete drainage.
- Lift-out grating available in anti-slip gray fiberglass or stainless steel.
- 4" (76mm) diameter drain with removable basket style strainer.
- No electrical connection required.
- Shutoff valve provided accepts 1" water line *.
- Reduced pressure valve –includes two check valves.
- Stainless steel anchor clip.
- 14 gauge stainless steel access compartment.
- Troughs available in widths ranging from 12" to 24" (305 to 610mm).
- 18" to 120" (457 to 3048mm) lengths available.
- Anti-splash troughs available.

* Water line and connection provided by plumbing contractor.

For custom configuration or fabrication needs, contact our **SpecFAB® Division**.

Phone: (302) 653-3000. FAX: (302) 653-2065.

E-mail: quotes@eaglegrp.com

Section 701.7 of the International Plumbing Code mandates that water entering a drainage system cannot exceed 140°F, which could cause problems with PVC pipes and other safety and environmental issues. The Cool Trough™ is designed to activate the temperature sensor at 130°F and turn off the mixing valve at 120°F, thus using water only when required.

Many facilities which utilize equipment such as boilers, humidifiers, sterilizers, and commercial equipment typically produce drain water over 140°F. The water must be cooled, or "tempered," before entering drain lines. The operation of the Cool Trough™ requires no additional steps for the operator. It only generates economic rewards by extending the life of the drainage system.

Also, because the valve is mechanically actuated, there is no need for electrical connection, which means there is no chance of an electrical component failure.

Hook a cold water line to the shutoff valve provided, and protection for your drain lines is ensured.

For utilization in (but not limited to):

- Food Production
- Manufacturing Facilities
- Processing
- Commercial Kitchens

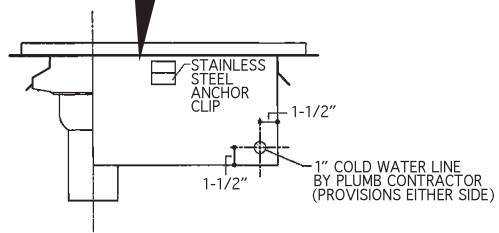
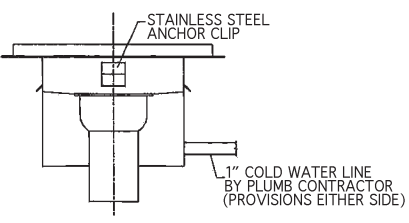
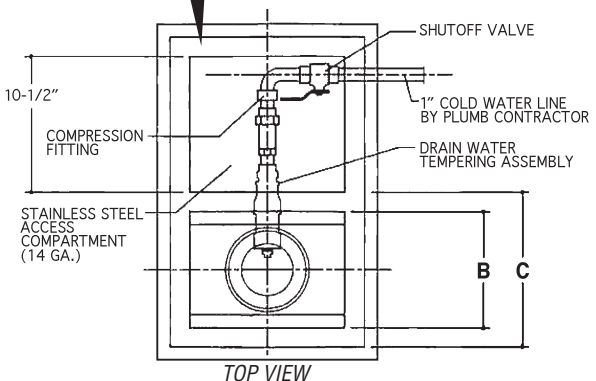
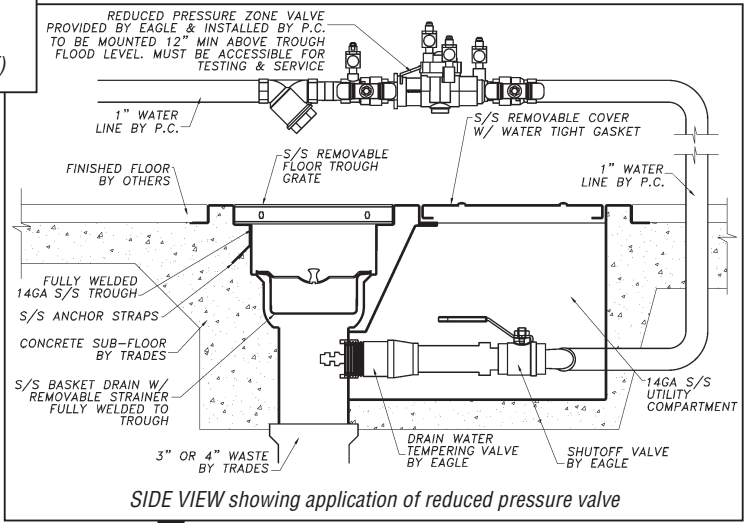
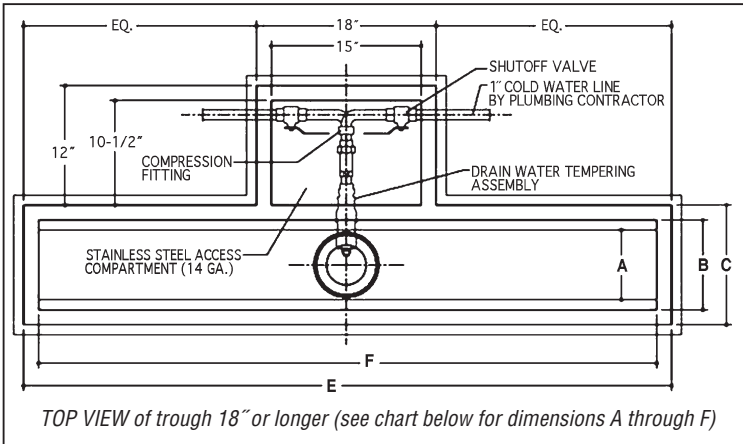




Profit from the Eagle Advantage®

Anti-Splash Cool Trough™ With Gray Fiberglass Grating

PATENT PENDING



FRONT VIEW

SIDE VIEW

dimension E		dimension F		12" (305mm)-WIDE TROUGHS		15" (381mm)-WIDE TROUGHS		18" (457mm)-WIDE TROUGHS		24" (610mm)-WIDE TROUGHS									
in.	mm	in.	mm	dimension A: 7" (178mm)	dimension B: 9" (229mm)	dimension C: 12" (305mm)	dimension D: 9.25" (232mm)	dimension A: 10" (254mm)	dimension B: 12" (305mm)	dimension C: 15" (381mm)	dimension D: 12.25" (311mm)	dimension A: 13" (330mm)	dimension B: 15" (381mm)	dimension C: 18" (457mm)	dimension D: 15.25" (387mm)	dimension A: 19" (483mm)	dimension B: 21" (533mm)	dimension C: 24" (610mm)	dimension D: 21.25" (540mm)
model #	list	model #	list	model #	list	model #	list	model #	list	model #	list	model #	list	model #	list	model #	list	model #	list
15"	381	12"	305	ASWTFT-1215-FGG	\$10755	n/a	n/a	n/a	n/a	n/a	n/a	n/a	n/a	n/a	n/a	n/a	n/a	n/a	n/a
18"	457	15"	381	ASWTFT-1218-FGG	10997	ASWTFT-1518-FGG	10972	n/a	n/a	n/a	n/a	n/a	n/a	n/a	n/a	n/a	n/a	n/a	n/a
24"	610	21"	533	ASWTFT-1224-FGG	11188	ASWTFT-1524-FGG	11236	ASWTFT-1824-FGG	11419	ASWTFT-2424-FGG	11607	ASWTFT-1830-FGG	11696	ASWTFT-2430-FGG	11970	ASWTFT-1836-FGG	11905	ASWTFT-2436-FGG	12219
30"	762	27"	686	ASWTFT-1230-FGG	11425	ASWTFT-1530-FGG	11447	ASWTFT-1830-FGG	11696	ASWTFT-2430-FGG	11970	ASWTFT-1836-FGG	11905	ASWTFT-2436-FGG	12219	ASWTFT-1848-FGG	12403	ASWTFT-2448-FGG	12822
36"	914	33"	838	ASWTFT-1236-FGG	11551	ASWTFT-1536-FGG	11575	ASWTFT-1836-FGG	11905	ASWTFT-2436-FGG	12219	ASWTFT-1860-FGG	12828	ASWTFT-2460-FGG	13414	ASWTFT-1872-FGG	13306	ASWTFT-2472-FGG	13460
48"	1219	45"	1143	ASWTFT-1248-FGG	11963	ASWTFT-1548-FGG	12002	ASWTFT-1848-FGG	12403	ASWTFT-2448-FGG	12822	ASWTFT-1872-FGG	13306	ASWTFT-2472-FGG	13460	ASWTFT-1884-FGG	13840	ASWTFT-2484-FGG	14615
60"	1524	57"	1448	ASWTFT-1260-FGG	12228	ASWTFT-1560-FGG	12384	ASWTFT-1860-FGG	12828	ASWTFT-2460-FGG	13414	ASWTFT-1896-FGG	14304	ASWTFT-2496-FGG	15164	ASWTFT-1896-FGG	14304	ASWTFT-2496-FGG	15164
72"	1829	69"	1753	ASWTFT-1272-FGG	12680	ASWTFT-1572-FGG	12758	ASWTFT-1872-FGG	13306	ASWTFT-2472-FGG	13460								
84"	2134	81"	2057	ASWTFT-1284-FGG	13050	ASWTFT-1584-FGG	13168	ASWTFT-1884-FGG	13840	ASWTFT-2484-FGG	14615								
96"	2438	93"	2362	ASWTFT-1296-FGG	13440	ASWTFT-1596-FGG	13520	ASWTFT-1896-FGG	14304	ASWTFT-2496-FGG	15164								

Foodservice Division: (800) 441-8440 • MHC/Retail Display Division: (800) 637-5100 • Fax: (302) 653-2065 • www.eaglegrp.com

Although every attempt has been made to ensure the accuracy of the information provided, we cannot be held responsible for typographical or printing errors. Information and specifications are subject to change without notice. Please confirm at time of order.



Profit from the Eagle Advantage®

Foodservice Division: (800) 441-8440

MHC/Retail Display Divisions: (800) 637-5100

FAX: (302) 653-2065

Product Announcement

Short Form Specifications

Eagle Cool Trough™ Anti-Splash System with Stainless Steel Grating, model _____. Features subway-style grating. Unit constructed of 14/304 stainless steel all-welded construction. Built-in pitch towards a 4" drain with removable perforated basket. Integral mechanical temperature sensor maintains water temperature of 140°F or less.

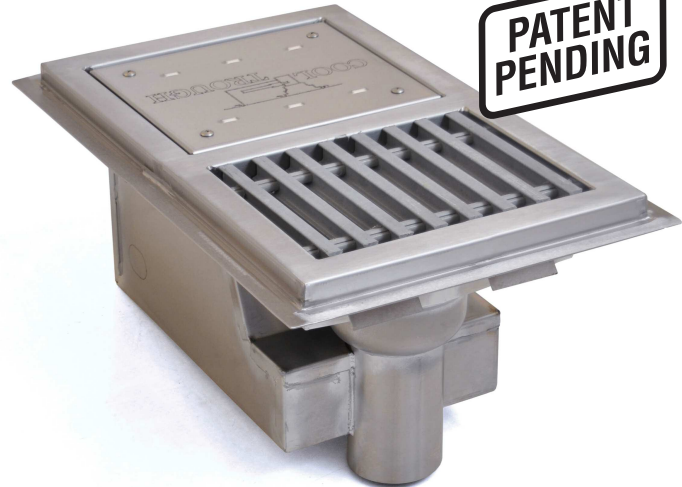
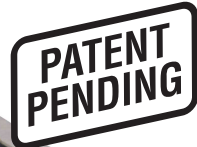
Item #:	_____
Model #:	_____
Project #:	_____
SIS #:	_____

EG8138D Rev. 03/15



Cool Trough™ Anti-Splash Water Tempering Systems

With Stainless Steel Grating



model #ASWTFT-1215-SG

Design & Construction Features

- Built-in pitch towards drain ensures complete drainage.
- Lift-out grating available in anti-slip gray fiberglass or stainless steel.
- 4" (76mm) diameter drain with removable basket style strainer.
- No electrical connection required.
- Shutoff valve provided accepts 1" water line *.
- Reduced pressure valve –includes two check valves.
- Stainless steel anchor clip.
- 14 gauge stainless steel access compartment.
- Troughs available in widths ranging from 12" to 24" (305 to 610mm).
- 18" to 120" (457 to 3048mm) lengths available.
- Anti-splash troughs available.

* Water line and connection provided by plumbing contractor.

For custom configuration or fabrication needs, contact our **SpecFAB® Division**.

Phone: (302) 653-3000. FAX: (302) 653-2065.

E-mail: quotes@eaglegrp.com

Section 701.7 of the International Plumbing Code mandates that water entering a drainage system cannot exceed 140°F, which could cause problems with PVC pipes and other safety and environmental issues. The Cool Trough™ is designed to activate the temperature sensor at 130°F and turn off the mixing valve at 120°F, thus using water only when required.

Many facilities which utilize equipment such as boilers, humidifiers, sterilizers, and commercial equipment typically produce drain water over 140°F. The water must be cooled, or "tempered," before entering drain lines. The operation of the Cool Trough™ requires no additional steps for the operator. It only generates economic rewards by extending the life of the drainage system.

Also, because the valve is mechanically actuated, there is no need for electrical connection, which means there is no chance of an electrical component failure.

Hook a cold water line to the shutoff valve provided, and protection for your drain lines is ensured.

For utilization in (but not limited to):

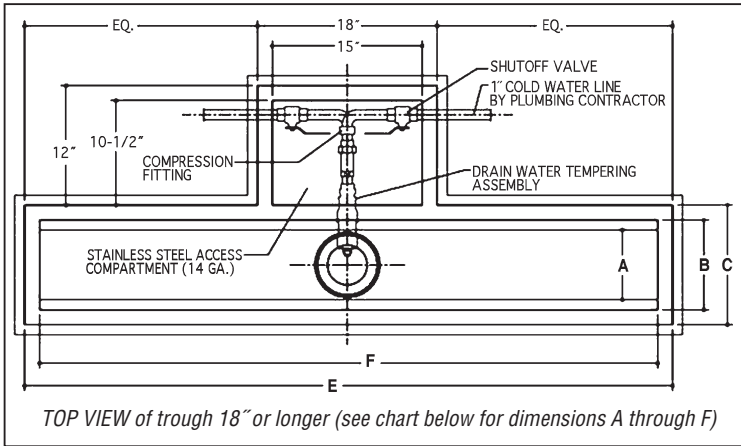
- Food Production
- Manufacturing Facilities
- Processing
- Commercial Kitchens



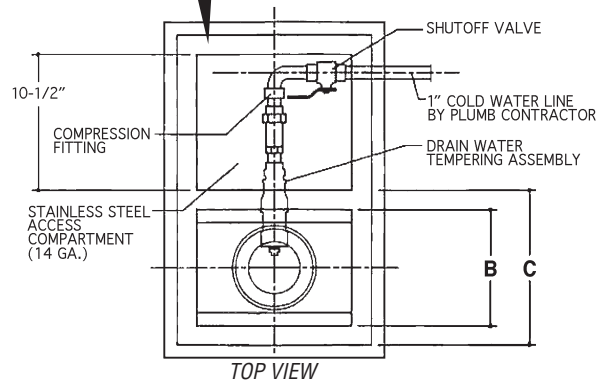


Profit from the Eagle Advantage®

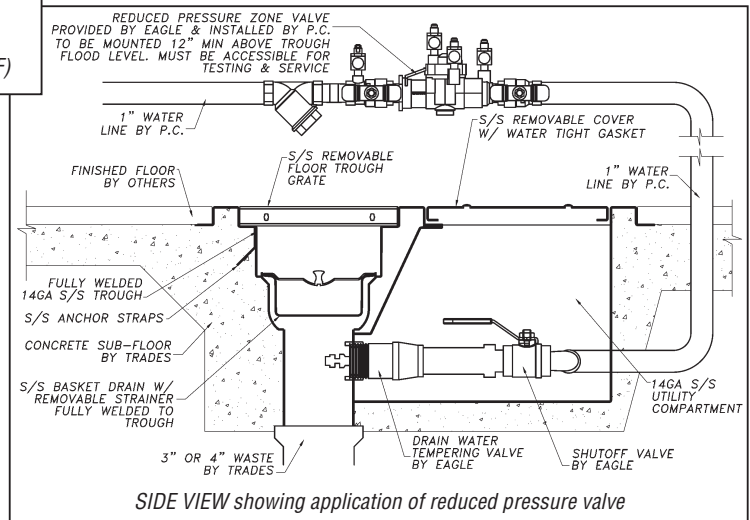
Anti-Splash Cool Trough™ With Stainless Steel Grating



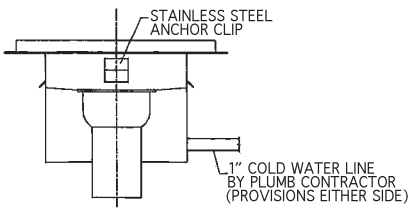
PATENT PENDING



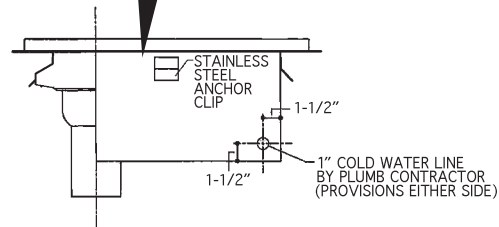
TOP VIEW



SIDE VIEW showing application of reduced pressure valve



FRONT VIEW



SIDE VIEW

dimension E		dimension F		12" (305mm)-WIDE TROUGHS		15" (381mm)-WIDE TROUGHS		18" (457mm)-WIDE TROUGHS		24" (610mm)-WIDE TROUGHS									
in.	mm	in.	mm	dimension A: 7" (178mm)	dimension B: 9" (229mm)	dimension C: 12" (305mm)	dimension D: 9.25" (232mm)	dimension A: 10" (254mm)	dimension B: 12" (305mm)	dimension C: 15" (381mm)	dimension D: 12.25" (311mm)	dimension A: 13" (330mm)	dimension B: 15" (381mm)	dimension C: 18" (457mm)	dimension D: 15.25" (387mm)	dimension A: 19" (483mm)	dimension B: 21" (533mm)	dimension C: 24" (610mm)	dimension D: 21.25" (540mm)
model #	list	model #	list	model #	list	model #	list	model #	list	model #	list	model #	list	model #	list	model #	list	model #	list
15"	381	12"	305	ASWTFT-1215-SG	\$11786	n/a	n/a	n/a	n/a	n/a	n/a	n/a	n/a	n/a	n/a	n/a	n/a	n/a	n/a
18"	457	15"	381	ASWTFT-1218-SG	11862	ASWTFT-1518-SG	11236	n/a	n/a	n/a	n/a	n/a	n/a	n/a	n/a	n/a	n/a	n/a	n/a
24"	610	21"	533	ASWTFT-1224-SG	11877	ASWTFT-1524-SG	11775	ASWTFT-1824-SG	12240	ASWTFT-2424-SG	12928	ASWTFT-1830-SG	12473	ASWTFT-2430-SG	13589	ASWTFT-2436-SG	13775	ASWTFT-2448-SG	14624
30"	762	27"	686	ASWTFT-1230-SG	12019	ASWTFT-1530-SG	12109	ASWTFT-1836-SG	12473	ASWTFT-2436-SG	13775	ASWTFT-1836-SG	12710	ASWTFT-2436-SG	13775	ASWTFT-2448-SG	14624	ASWTFT-2460-SG	15388
36"	914	33"	838	ASWTFT-1236-SG	12163	ASWTFT-1536-SG	12655	ASWTFT-1836-SG	12710	ASWTFT-2436-SG	13775	ASWTFT-1836-SG	12710	ASWTFT-2436-SG	13775	ASWTFT-2448-SG	14624	ASWTFT-2460-SG	15388
48"	1219	45"	1143	ASWTFT-1248-SG	12997	ASWTFT-1548-SG	13447	ASWTFT-1848-SG	13500	ASWTFT-2448-SG	14624	ASWTFT-1848-SG	13500	ASWTFT-2448-SG	14624	ASWTFT-2460-SG	15388	ASWTFT-2472-SG	16485
60"	1524	57"	1448	ASWTFT-1260-SG	13863	ASWTFT-1560-SG	13941	ASWTFT-1860-SG	14620	ASWTFT-2460-SG	15388	ASWTFT-1860-SG	14620	ASWTFT-2460-SG	15388	ASWTFT-2472-SG	16485	ASWTFT-2484-SG	17250
72"	1829	69"	1753	ASWTFT-1272-SG	14651	ASWTFT-1572-SG	14651	ASWTFT-1872-SG	15231	ASWTFT-2472-SG	16485	ASWTFT-1872-SG	15231	ASWTFT-2472-SG	16485	ASWTFT-2484-SG	17250	ASWTFT-2496-SG	18179
84"	2134	81"	2057	ASWTFT-1284-SG	15678	ASWTFT-1584-SG	15986	ASWTFT-1884-SG	16587	ASWTFT-2484-SG	17250	ASWTFT-1884-SG	16587	ASWTFT-2484-SG	17250	ASWTFT-2496-SG	18179		
96"	2438	93"	2362	ASWTFT-1296-SG	15965	ASWTFT-1596-SG	16708	ASWTFT-1896-SG	16873	ASWTFT-2496-SG	18179	ASWTFT-1896-SG	16873	ASWTFT-2496-SG	18179				

Foodservice Division: (800) 441-8440 • MHC/Retail Display Division: (800) 637-5100 • Fax: (302) 653-2065 • www.eaglegrp.com

Although every attempt has been made to ensure the accuracy of the information provided, we cannot be held responsible for typographical or printing errors. Information and specifications are subject to change without notice. Please confirm at time of order.