



Profit from the Eagle Advantage®

# Specification Sheet

## Short Form Specifications

Eagle Spec-Bar® Recessed Workboard, model \_\_\_\_\_. Heavy gauge type 304 stainless steel body, legs, leg channels and cross rails. Stainless steel removable perforated insert and shelf. Stainless steel adjustable bullet feet.



19" (483mm)  
recessed workboard with  
single speed rail profile



19" (483mm)  
recessed workboard with  
double speed rail profile



24" (610mm)  
recessed workboard with  
no speed rail profile



24" (610mm)  
recessed workboard with  
single speed rail profile

**EAGLE GROUP**  
100 Industrial Boulevard, Clayton, DE 19938-8903 USA  
Phone: 302-653-3000 • Fax: 302-653-2065  
www.eaglegrp.com

**Foodservice Division: Phone 800-441-8440**  
**MHC/Retail Display Divisions: Phone 800-637-5100**

For custom configuration or fabrication needs, contact our **SpecFAB® Division**.  
Phone: 302-653-3000 • Fax: 302-653-3091 • e-mail: specfab@eaglegrp.com

Item No.: \_\_\_\_\_  
Project No.: \_\_\_\_\_  
S.I.S. No.: \_\_\_\_\_

## Spec-Bar® Recessed Workboards

### MODELS:

- RDBSR12-19       RDB12-24
- RDBSR18-19       RDB18-24
- RDBSR24-19       RDB24-24
- RDBSR30-19       RDB30-24
- RDBSR36-19       RDB36-24
- RDBDR12-19       RDBSR12-24
- RDBDR18-19       RDBSR18-24
- RDBDR24-19       RDBSR24-24
- RDBDR30-19       RDBSR30-24
- RDBDR36-19       RDBSR36-24

### Design and Construction Features

- Backsplash, sides, front panel, drain pan and perforated insert are 20 gauge type 304 stainless steel.
- Leg channels, legs and crossbracing are 16 gauge type 304 stainless steel.
- Legs are 1½" (41mm) diameter, with stainless steel adjustable bullet feet.
- Designed to align with single or double speed rails installed on adjoining equipment.
- Removable insert and shelf made of perforated stainless steel.
- 1½" (38mm) I.P.S. threaded drain with nut and washer.



**AUTOQUOTES**



EG40.28 Rev. 04/11

**Spec sheets available for viewing, printing or downloading from our online literature library at [www.eaglegrp.com](http://www.eaglegrp.com)**

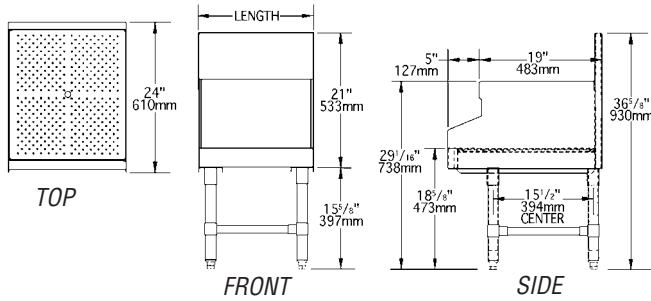


Profit from the Eagle Advantage®

Item No.: \_\_\_\_\_  
 Project No.: \_\_\_\_\_  
 S.I.S. No.: \_\_\_\_\_

## Spec-Bar® Recessed Workboards

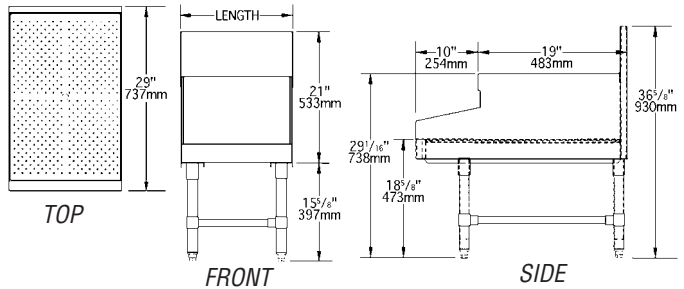
### 19" (483mm) Recessed Workboards with Single Speed Rail Profile – 24" (610mm) overall width



Aligns with Spec-Bar® series 19" (483mm) equipment with 5" (127mm) single speed rail.

model #	width		length		weight	
	in.	mm	in.	mm	lbs.	kg
<b>RDBSR12-19</b>	24"	610	12"	305	25	11.3
<b>RDBSR18-19</b>	24"	610	18"	457	30	13.6
<b>RDBSR24-19</b>	24"	610	24"	610	35	15.9
<b>RDBSR30-19</b>	24"	610	30"	762	40	18.1
<b>RDBSR36-19</b>	24"	610	36"	914	45	20.4

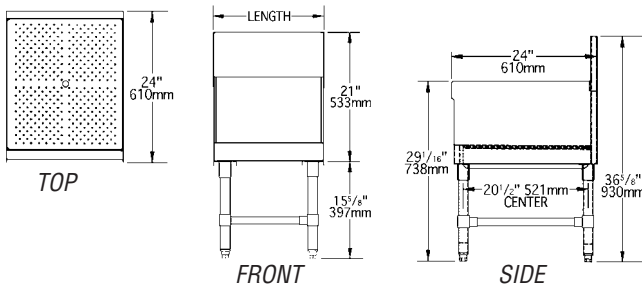
### 19" (483mm) Recessed Workboards with Double Speed Rail Profile – 29" (737mm) overall width



Aligns with Spec-Bar® series 19" (483mm) equipment with 10" (254mm) double speed rail.

model #	width		length		weight	
	in.	mm	in.	mm	lbs.	kg
<b>RDBDR12-19</b>	29"	737	12"	305	37	16.8
<b>RDBDR18-19</b>	29"	737	18"	457	42	19.1
<b>RDBDR24-19</b>	29"	737	24"	610	49	22.2
<b>RDBDR30-19</b>	29"	737	30"	762	56	25.4
<b>RDBDR36-19</b>	29"	737	36"	914	61	27.7

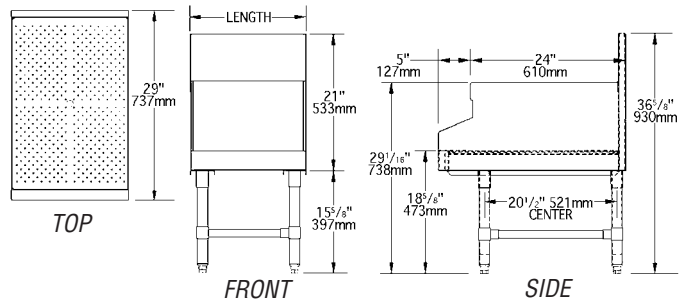
### 24" (610mm) Recessed Workboards with No Speed Rail Profile – 24" (610mm) overall width



Aligns with Spec-Bar® series 24" (610mm) equipment with no speed rail.

model #	width		length		weight	
	in.	mm	in.	mm	lbs.	kg
<b>RDB12-24</b>	24"	610	12"	305	25	11.3
<b>RDB18-24</b>	24"	610	18"	457	30	13.6
<b>RDB24-24</b>	24"	610	24"	610	35	15.9
<b>RDB30-24</b>	24"	610	30"	762	40	18.1
<b>RDB36-24</b>	24"	610	36"	914	45	20.4

### 24" (610mm) Recessed Workboards with Single Speed Rail Profile – 29" (737mm) overall width



Aligns with Spec-Bar® series 24" (610mm) equipment with 5" (127mm) single speed rail.

model #	width		length		weight	
	in.	mm	in.	mm	lbs.	kg
<b>RDBSR12-24</b>	29"	737	12"	305	37	16.8
<b>RDBSR18-24</b>	29"	737	18"	457	42	19.1
<b>RDBSR24-24</b>	29"	737	24"	610	49	22.2
<b>RDBSR30-24</b>	29"	737	30"	762	56	25.4
<b>RDBSR36-24</b>	29"	737	36"	914	61	27.7

**EAGLE GROUP**  
 100 Industrial Boulevard, Clayton, DE 19938-8903 USA  
 Phone: 302-653-3000 • Fax: 302-653-2065  
 www.eaglegrp.com

Foodservice Division: Phone 800-441-8440  
 MHC/Retail Display Divisions: Phone 800-637-5100

Printed in U.S.A.  
 ©2011 by Eagle Group

Rev. 04/11

Spec sheets available for viewing, printing or downloading from our online literature library at [www.eaglegrp.com](http://www.eaglegrp.com)

Although every attempt has been made to ensure the accuracy of the information provided, we cannot be held responsible for typographical or printing errors. Information and specifications are subject to change without notice. Please confirm at time of order.