

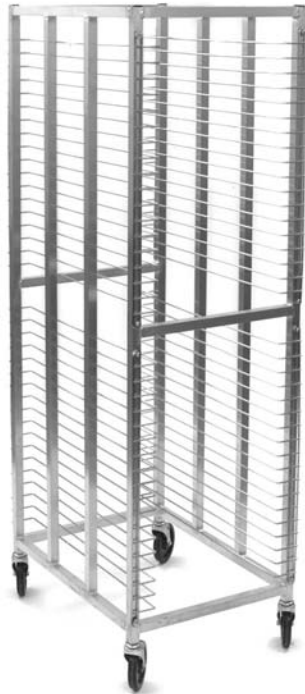


Profit from the Eagle Advantage®

Specification Sheet

Short Form Specifications

Eagle Panco® (Front Load, Side Load) Wire Pan Rack, model _____ . All-welded aluminum construction with 1" square tubular frame and supports. Chrome-plated wire racks accommodate 36 pans at 1½" spacing. Furnished with 5"-diameter casters. Shipped assembled.



wire pan rack
model# WPR-FL-36

Options / Accessories

- Casters with locking brakes
- Rotary bumpers
- Perimeter bumpers
- Verticle corner bumpers
- Pan stops

EAGLE GROUP

100 Industrial Boulevard, Clayton, DE 19938-8903 USA
Phone: 302-653-3000 • Fax: 302-653-2065
www.eaglegrp.com

Foodservice Division: Phone 800-441-8440

MHC/Retail Display Divisions: Phone 800-637-5100

For custom configuration or fabrication needs, contact our **SpecFAB®** Division.
Phone: 302-653-3000 • Fax: 302-653-3091 • e-mail: specfab@eaglegrp.com

| | |
|--------------|-------|
| Item No.: | _____ |
| Project No.: | _____ |
| S.I.S. No.: | _____ |

Panco® Wire Pan Racks

MODELS:

- WPR-FL-36
- WPR-SL-36

Design and Construction Features

- Heavy duty welded all-aluminum construction.
- Frame and supports: 1" (25mm) square aluminum tubing.
- Wire racks: 6 gauge nickel chrome-plated mild steel.
- Casters: 5" (127mm)-diameter non-marking swivel stem casters with polymer tread.
- Front load and side load models available.
- Shipped assembled.



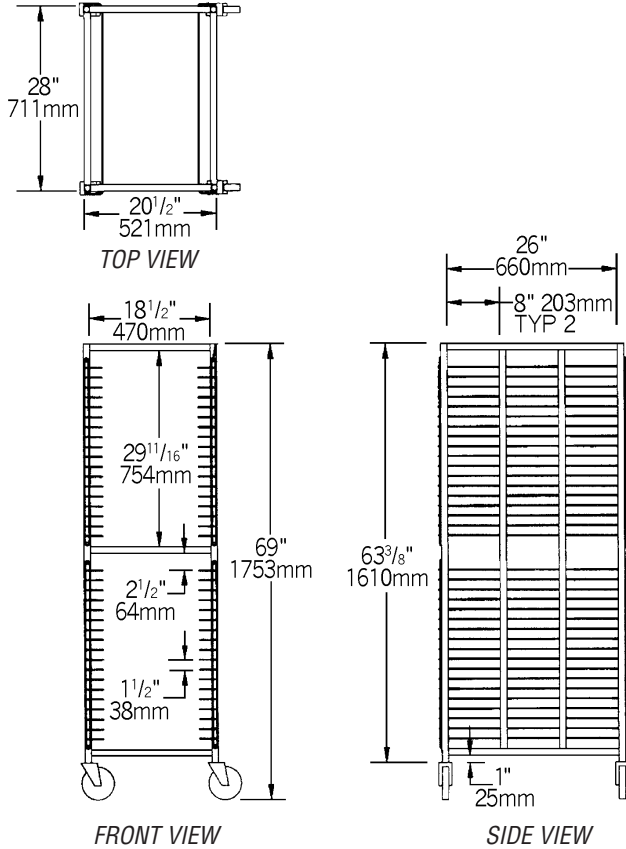
Spec sheets available for viewing, printing or downloading from our online literature library at www.eaglegrp.com



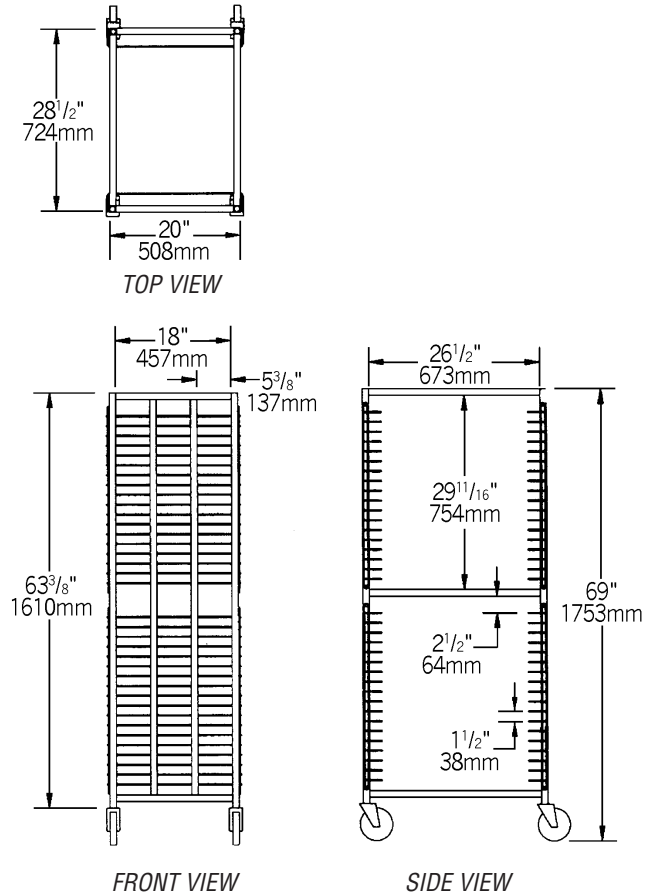
Item No.: _____
 Project No.: _____
 S.I.S. No.: _____

Panco® Wire Pan Racks

Front load model
 (#WPR-FL-36)



Side load model
 (#WPR-SL-36)



| model # | description | overall dimensions | | | | | | sliding space | | pan capacity | | weight | |
|-----------|-------------|--------------------|----------|-----------|----------|------------|-----------|---------------|----|--------------|----|--------|--|
| | | width in. | width mm | depth in. | depth mm | height in. | height mm | in. | mm | lbs. | kg | | |
| WPR-FL-36 | front load | 20 1/2" | 521 | 28" | 711 | 69" | 1753 | 1 1/2" | 38 | 36 | 64 | 29.0 | |
| WPR-SL-36 | side load | 20" | 508 | 28 1/2" | 724 | 69" | 1753 | 1 1/2" | 38 | 36 | 64 | 29.0 | |

EAGLE GROUP
 100 Industrial Boulevard, Clayton, DE 19938-8903 USA
 Phone: 302-653-3000 • Fax: 302-653-2065
 www.eaglegrp.com

Foodservice Division: Phone 800-441-8440
 MHC/Retail Display Divisions: Phone 800-637-5100

Printed in U.S.A.
 ©2008 by Eagle Group
 Rev. 08/08

Spec sheets available for viewing, printing or downloading from our online literature library at www.eaglegrp.com

Although every attempt has been made to ensure the accuracy of the information provided, we cannot be held responsible for typographical or printing errors. Information and specifications are subject to change without notice. Please confirm at time of order.