



Profit from the Eagle Advantage®

# Specification Sheet

## Short Form Specifications

Eagle Black Polymer Utility Cart, model EU3-2030-P. Shelves and handles are heavy duty black polymer—three shelves, one push handle per end. Uprights are brushed aluminum. 4"-dia. non-marking swivel casters. Weight capacity up to 200 lbs.



black polymer utility cart

Item No.:	_____
Project No.:	_____
S.I.S. No.:	_____

## Black Polymer Utility Cart

### MODELS:

EU3-2030-P

- Heavy duty black polymer shelves with lip on three sides.
- Heavy duty black polymer push handle on each end of cart.
- High style appearance with brushed aluminum uprights.
- 4" (102mm)-diameter non-marking swivel casters.
- 37¼" (959mm) overall height, including casters.
- 200 lb. (90.7 kg) weight capacity per cart.

**EAGLE GROUP**  
100 Industrial Boulevard, Clayton, DE 19938-8903 USA  
Phone: 302-653-3000 • Fax: 302-653-2065  
www.eaglegrp.com

**Foodservice Division: Phone 800-441-8440**  
**MHC/Retail Display Divisions: Phone 800-637-5100**

For custom configuration or fabrication needs, contact our **SpecFAB® Division**.  
Phone: 302-653-3000 • Fax: 302-653-3091 • e-mail: specfab@eaglegrp.com



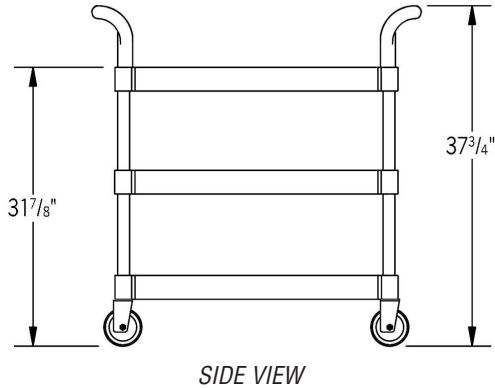
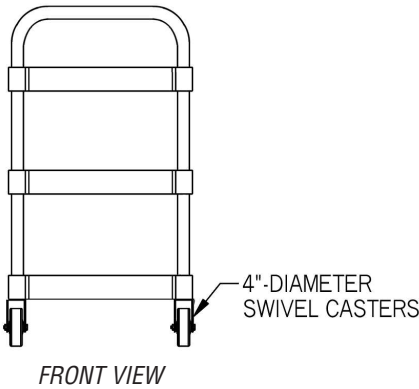
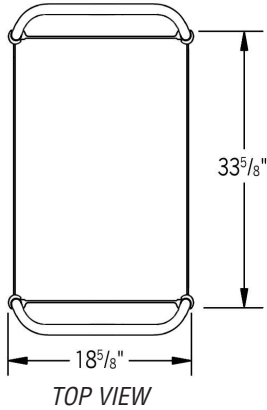
**AUTOQUOTES**





Item No.: \_\_\_\_\_  
 Project No.: \_\_\_\_\_  
 S.I.S. No.: \_\_\_\_\_

# Black Polymer Utility Cart



model #	width x length		weight capacity		weight	
	in.	mm	lbs.	kg	lbs.	kg
EU3-2030-P	18 <sup>5</sup> / <sub>8</sub> "	473	200	90.7	30	13.6

**EAGLE GROUP**  
 100 Industrial Boulevard, Clayton, DE 19938-8903 USA  
 Phone: 302-653-3000 • Fax: 302-653-2065  
 www.eaglegrp.com

Foodservice Division: Phone 800-441-8440  
 MHC/Retail Display Divisions: Phone 800-637-5100

Printed in U.S.A.  
 ©2011 by Eagle Group  
 Rev. 07/11

Spec sheets available for viewing, printing or downloading from our online literature library at [www.eaglegrp.com](http://www.eaglegrp.com)

Although every attempt has been made to ensure the accuracy of the information provided, we cannot be held responsible for typographical or printing errors. Information and specifications are subject to change without notice. Please confirm at time of order.