



Profit from the Eagle Advantage®

Specification Sheet

Short Form Specifications

Eagle Printer Shelf, model _____.
Constructed of 16 gauge type 430 stainless steel. Available in standard or slanted design. Flat shelves feature square edge with return. Slanted shelves feature upturn edge.



#MWS0912-PS



#MWS0912-SPS

Item No.:	_____
Project No.:	_____
S.I.S. No.:	_____

Printer Shelves

MODELS:

- MWS0710-PS
- MWS0710-SPS
- MWS0912-PS
- MWS0912-SPS

Design and Construction Features

- Space-saver printer label shelf features heavy gauge stainless steel construction.
- Hole with black rubber grommet, located toward the rear of shelf for cords.
- Heavy gauge stainless steel polished to #4 finish.
- Four mounting holes* provided.
- 7" and 9" (178 and 229mm) widths available.
- Available in standard or slanted design.
- Custom sizes available.

* Wall mounting hardware not included.

EAGLE GROUP

100 Industrial Boulevard, Clayton, DE 19938-8903 USA

Phone: 302-653-3000 • Fax: 302-653-2065

www.eaglegrp.com

Foodservice Division: Phone 800-441-8440

MHC/Retail Display Divisions: Phone 800-637-5100

For custom configuration or fabrication needs, contact our SpecFAB® Division.

Phone: 302-653-3000 • Fax: 302-653-2065 • e-mail: quotes@eaglegrp.com



EG02.17 Rev. 06/18

Spec sheets available for viewing, printing or downloading from our online literature library at www.eaglegrp.com

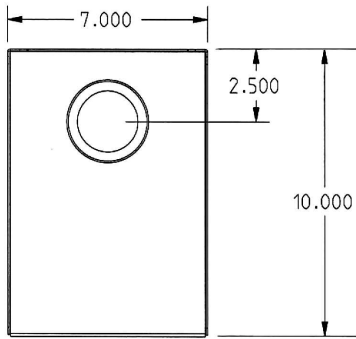
Eagle Foodservice Equipment, Eagle MHC, SpecFAB®, and Retail Display are divisions of Eagle Group. ©2018 by the Eagle Group



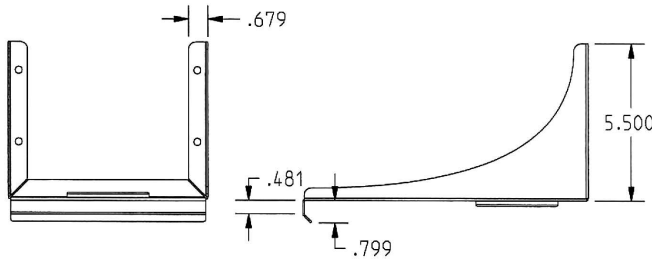
Item No.: _____
 Project No.: _____
 S.I.S. No.: _____

Printer Shelves

Models with standard design...



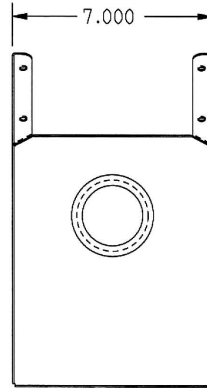
TOP VIEW



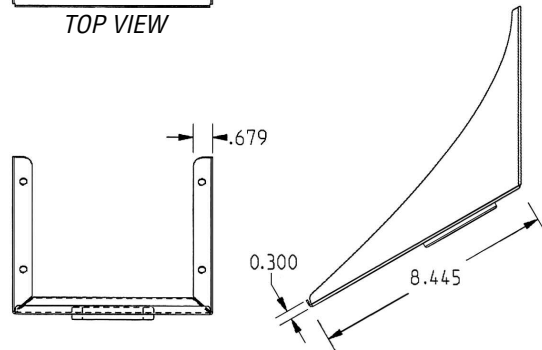
FRONT VIEW

SIDE VIEW

...or with slanted design



TOP VIEW



FRONT VIEW

SIDE VIEW

("MWS0710" units shown)

width		length		weight		with Standard Design	with Slanted Design
in.	mm	in.	mm	lbs.	kg	model #	model #
7"	177.8	10"	254.0	2.48	1.22	MWS0710-PS	MWS0710-SPS
9"	228.6	12"	304.8	2.80	1.27	MWS0912-PS	MWS0912-SPS

EAGLE GROUP
 100 Industrial Boulevard, Clayton, DE 19938-8903 USA
 Phone: 302-653-3000 • Fax: 302-653-2065
 www.eaglegrp.com

Foodservice Division: Phone 800-441-8440
 MHC/Retail Display Divisions: Phone 800-637-5100

Printed in U.S.A.
 ©2018 by Eagle Group
 Rev. 06/18

Spec sheets available for viewing, printing or downloading from our online literature library at www.eaglegrp.com

Although every attempt has been made to ensure the accuracy of the information provided, we cannot be held responsible for typographical or printing errors. Information and specifications are subject to change without notice. Please confirm at time of order.