



Profit from the Eagle Advantage®

Specification Sheet

Short Form Specifications

Eagle Pizza Cut-n-Pack Table, model _____. Heavy duty stainless steel construction with 16 gauge stainless steel top and open base storage. Laminate plastic divider panel with choice of colors, standard color is Formica 845 Spectrum Red. Mounted on casters.



pizza cut-n-pack table

Options / Accessories

- Cash drawer
- Refuse alcove

Item No.:	_____
Project No.:	_____
S.I.S. No.:	_____

Pizza Cut-n-Pack Tables

MODELS:

- PIC60R**
- PIC72R**
- PIC84R**

Design and Construction Features

- 16 gauge stainless steel top.
- Ends turned down at 90°.
- Full base storage.
- Plastic laminated divider panel—available in your choice of laminate colors and patterns.
- Standard in Formica 845 spectrum red.
- Four 4" (102mm)-diameter swivel stem casters, two with brake.
- 72" and 84" (1829 and 2134mm) models have two center support legs in addition to casters.

EAGLE GROUP
 100 Industrial Boulevard, Clayton, DE 19938-8903 USA
 Phone: 302-653-3000 • Fax: 302-653-2065
 www.eaglegrp.com

Foodservice Division: Phone 800-441-8440
MHC/Retail Display Divisions: Phone 800-637-5100

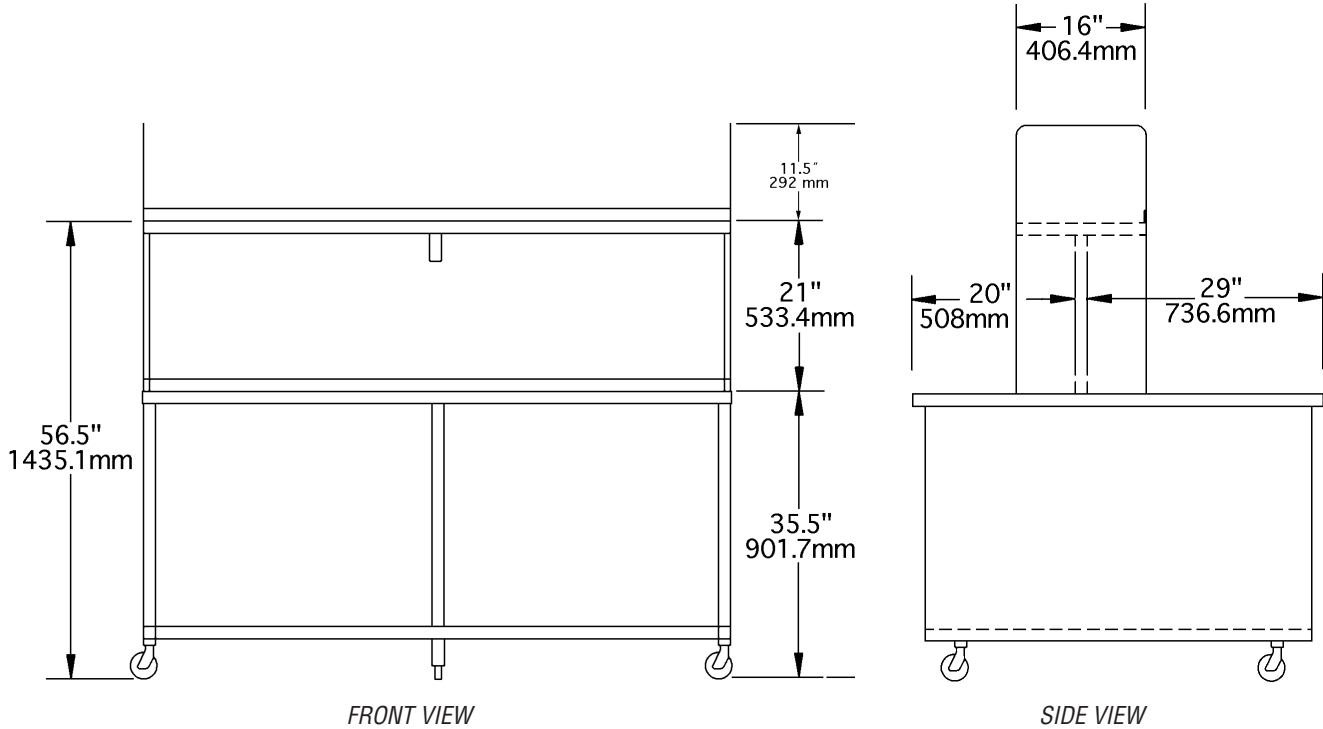
For custom configuration or fabrication needs, contact our **SpecFAB® Division**.
 Phone: 302-653-3000 • Fax: 302-653-3091 • e-mail: specfab@eaglegrp.com





Item No.:	
Project No.:	
S.I.S. No.:	

Pizza Cut-n-Pack Tables



model #	width		length		weight	
	in.	mm	in.	mm	lbs.	kg
PIC60R	49 3/4"	1264	60"	1524	318	144.3
PIC72R	49 3/4"	1264	72"	1829	368	167.0
PIC84R	49 3/4"	1264	84"	2134	432	193.0

Optional Cash Drawer

model #	weight	
	lbs.	kg
CD-1	26	11.8

EAGLE GROUP
 100 Industrial Boulevard, Clayton, DE 19938-8903 USA
 Phone: 302-653-3000 • Fax: 302-653-2065
www.eaglegrp.com

Foodservice Division: Phone 800-441-8440
 MHC/Retail Display Divisions: Phone 800-637-5100

Printed in U.S.A.
 ©2012 by Eagle Group
 Rev. 06/12

Spec sheets available for viewing, printing or downloading from our online literature library at www.eaglegrp.com

Although every attempt has been made to ensure the accuracy of the information provided, we cannot be held responsible for typographical or printing errors. Information and specifications are subject to change without notice. Please confirm at time of order.