



Profit from the Eagle Advantage®

Specification Sheet

Short Form Specifications

Eagle Mobile Prep Table, model #MPT3042. Unit constructed of stainless steel throughout. Raised prep area with slanted sides for drainage. Recessed drain area holds two stainless steel half-size perforated pans provided. Backsplash and endsplashes with radius corners and rolled edge. Stainless steel adjustable undershelf with marine edge holds 22-gallon catch tank with drain. 1½"-diameter stainless steel legs with 5"-diameter casters with brake.

PATENTED
(U.S. Patent No. 8,733,253)



#MPT3042

Item No.:	_____
Project No.:	_____
S.I.S. No.:	_____

Mobile Prep Table

MODELS:

- MPT3042

Top:

- 14 gauge type 304 stainless steel solid surface, surrounded by tapered drainage system for positive drainage.
- 14½" x 22" removable poly cutting board work surface
- Full-length 10"-wide x 3½"-deep (254 x 89mm) rear trough, creased to drain for positive drainage.
- Raised rolled edges on rear and both ends.
- Three-bay poly cutting board holder at left.
- Knife rack at right accommodates knives with blades up to 12" (305mm)-long.

Open Base:

- 1½" (41mm) -diameter stainless steel legs with stainless steel gussets.
- 16 gauge type 304 stainless steel undershelf with marine edge on all sides.
- 5" (127mm)-diameter heavy duty poly swivel casters, all with brakes.
- Adjustable base construction.

Features:

- 22-gallon removable waste tank, with drain and wide mouth top.
- Two type 304 stainless steel perforated 4" (102mm)-deep half-size pans.
- Three color-coded poly cutting boards:
 - Red (for raw meat)
 - Blue (for raw fish)
 - Green (for salad and fruit products)

EAGLE GROUP

100 Industrial Boulevard
Clayton, DE 19938-8903 USA

Phone: 302-653-3000 • 800-441-8440

Fax: 302-653-2065

www.eaglegrp.com • www.eaglemhc.com

For custom configuration or fabrication needs, contact our SpecFAB® Division.

Phone: 302-653-3000 • Fax: 302-653-2065 • e-mail: quotes@eaglegrp.com



EG10.23 Rev. 04/22

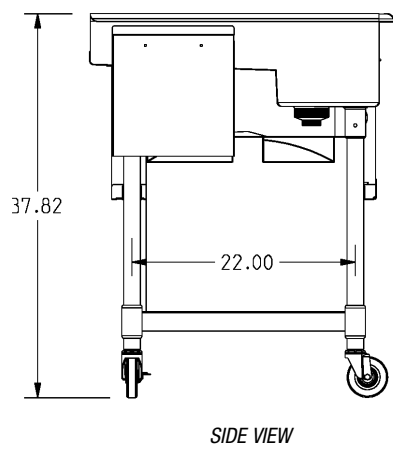
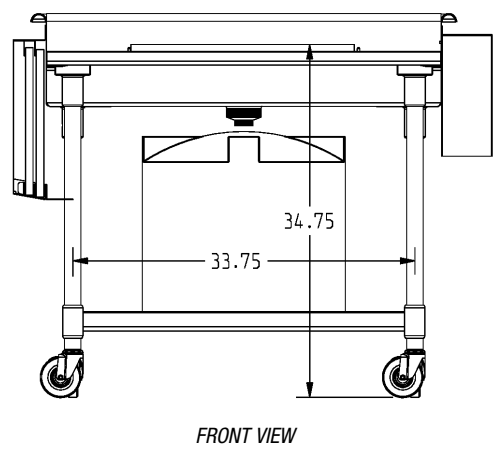
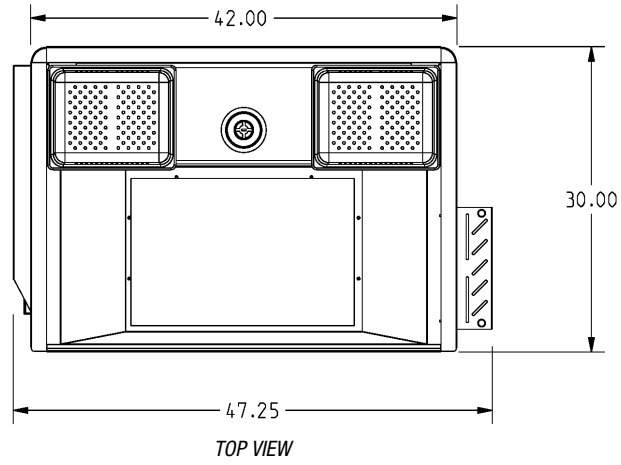
Spec sheets available for viewing, printing or downloading from our online literature library at www.eaglegrp.com

Eagle Foodservice Equipment, Eagle MHC, and SpecFAB® are divisions of Eagle Group. ©2022 by the Eagle Group



Item No.: _____
 Project No.: _____
 S.I.S. No.: _____

Mobile Prep Table



model #	tabletop width*		tabletop length*		weight	
	in.	mm	in.	mm	lbs.	kg
MPT3042	30"	762	42"	1067	229	103.9

* Dimensions do not include cutting board holder and knife rack.

EAGLE GROUP
 100 Industrial Boulevard, Clayton, DE 19938-8903 USA
 Phone: 302-653-3000 or 800-441-8440 • Fax: 302-653-2065
 www.eaglegrp.com • www.eaglehmc.com

Printed in U.S.A.
 ©2022 by Eagle Group
 Rev. 04/22

Spec sheets available for viewing, printing or downloading from our online literature library at www.eaglegrp.com

Although every attempt has been made to ensure the accuracy of the information provided, we cannot be held responsible for typographical or printing errors. Information and specifications are subject to change without notice. Please confirm at time of order.