



Profit from the Eagle Advantage®

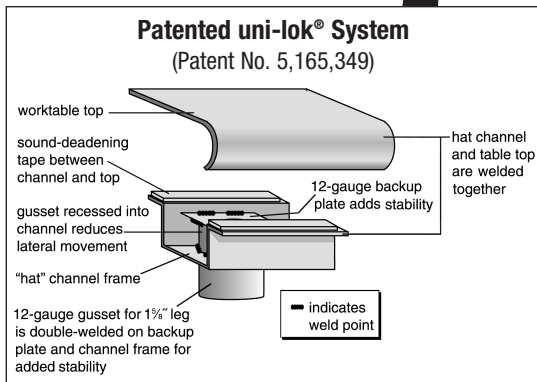
Specification Sheet

Short Form Specifications

Eagle Griddle/Equipment Stand, model _____.
 16 gauge type 300 stainless steel top with 1¼" upturn on rear and sides. Constructed with uni-lok® patented gusset system with the gussets recessed into the hat channels to reduce lateral movement. Heavy gauge (galvanized, stainless steel) adjustable undershelf, 1½"-diameter galvanized tubular legs with white metal adjustable bullet feet. Note: Units 72" and longer furnished with six legs.



unit shown with optional hardwood cutting board



Options / Accessories*

- Hardwood cutting board
- Stainless steel plate shelf
- Casters
- Stainless steel bullet feet

* Optional Worktable Stabilizer Bars (EG10.59) do not work with Griddle/Equipment Stands.

EAGLE GROUP

100 Industrial Boulevard
 Clayton, DE 19938-8903 USA

Phone: 302-653-3000 • 800-441-8440

Fax: 302-653-2065

www.eaglegrp.com • www.eaglemhc.com

For custom configuration or fabrication needs, contact our SpecFAB® Division.

Phone: 302-653-3000 • Fax: 302-653-2065 • e-mail: quotes@eaglegrp.com

Item No.: _____
 Project No.: _____
 S.I.S. No.: _____

Griddle/Equipment Stands

MODELS:

- | | | | |
|-----------------------------------|-----------------------------------|-----------------------------------|----------------------------------|
| <input type="checkbox"/> T2424GS | <input type="checkbox"/> T2484SGS | <input type="checkbox"/> T3072GS | <input type="checkbox"/> 307109 |
| <input type="checkbox"/> T2424SGS | <input type="checkbox"/> T2496GS | <input type="checkbox"/> T3072SGS | <input type="checkbox"/> 307110 |
| <input type="checkbox"/> T2436GS | <input type="checkbox"/> T2496SGS | <input type="checkbox"/> T3084GS | <input type="checkbox"/> APS1 |
| <input type="checkbox"/> T2436SGS | <input type="checkbox"/> T3024GS | <input type="checkbox"/> T3084SGS | <input type="checkbox"/> APS2 |
| <input type="checkbox"/> T2448GS | <input type="checkbox"/> T3024SGS | <input type="checkbox"/> T3096GS | <input type="checkbox"/> APS3 |
| <input type="checkbox"/> T2448SGS | <input type="checkbox"/> T3036GS | <input type="checkbox"/> T3096SGS | <input type="checkbox"/> APS4 |
| <input type="checkbox"/> T2460GS | <input type="checkbox"/> T3036SGS | <input type="checkbox"/> 313970 | <input type="checkbox"/> APS5 |
| <input type="checkbox"/> T2460SGS | <input type="checkbox"/> T3048GS | <input type="checkbox"/> 307105 | <input type="checkbox"/> APS6 |
| <input type="checkbox"/> T2472GS | <input type="checkbox"/> T3048SGS | <input type="checkbox"/> 307106 | <input type="checkbox"/> APS7 |
| <input type="checkbox"/> T2472SGS | <input type="checkbox"/> T3060GS | <input type="checkbox"/> 307107 | <input type="checkbox"/> APS8 |
| <input type="checkbox"/> T2484GS | <input type="checkbox"/> T3060SGS | <input type="checkbox"/> 307108 | <input type="checkbox"/> CAH4-SB |
| | | | <input type="checkbox"/> CAH6-SB |

Tabletop

- Patented uni-lok® gusset system (patent #5,165,349): gussets are recessed into hat channel, reducing lateral movement.
- Highly-polished 16 gauge type 300 stainless steel top with 1¼" (32mm) upturn on rear and both ends.

Adjustable Undershelf

- Heavy gauge galvanized or stainless steel, with gusset welded on each corner.

Legs

- Galvanized or stainless steel.
- 1½" (41mm)-diameter.
- Adjustable white metal feet.

Optional Hardwood Cutting Board

- Laminated, 1¼" (32mm)-thick, full length of stand, 8" (203mm)-wide.
- Complete with 1" (25mm) OD stainless steel tubular supports integrally welded to adjustable stainless steel sleeve assembly.
- Board adjustment range is 8½" (216mm) at lowest point to maximum of 11" (279mm).

Optional Plate Shelf

- Full length of stand, 8" (203mm)-wide.
- 18 gauge stainless steel.
- Adjustable height.
- Must be ordered in conjunction with cutting board.

Certifications / Approvals

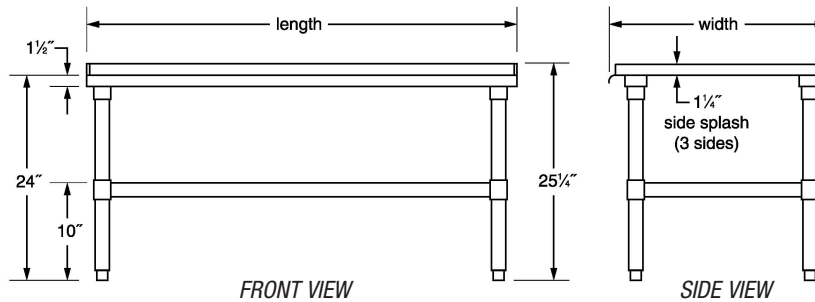


AutoQuotes



Item No.: _____
 Project No.: _____
 S.I.S. No.: _____

Griddle/Equipment Stands



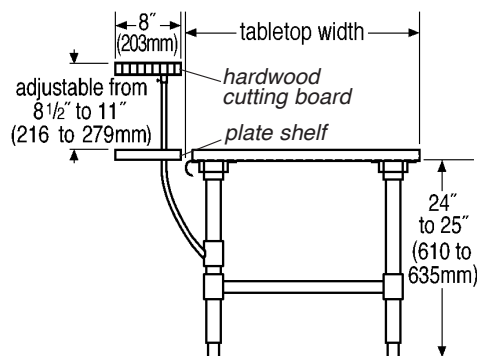
galvanized legs and undershelf model #	stainless legs and undershelf model #	# of legs	tabletop dimensions				weight capacities				weight	
			width in.	width mm	length in.	length mm	bullet lbs.	bullet kg	opt'l casters lbs.	opt'l casters kg	lbs.	kg
T2424GS	T2424SGS	4	24 ³ / ₁₆ "	614	24 ³ / ₁₆ "	619	1000	453.6	600	272.2	48	21.8
T2436GS	T2436SGS	4	24 ³ / ₁₆ "	614	36 ³ / ₁₆ "	924	1000	453.6	600	272.2	54	24.5
T2448GS	T2448SGS	4	24 ³ / ₁₆ "	614	48 ³ / ₁₆ "	1229	1000	453.6	600	272.2	62	28.1
T2460GS	T2460SGS	4	24 ³ / ₁₆ "	614	60 ³ / ₁₆ "	1534	1000	453.6	600	272.2	74	33.6
T2472GS	T2472SGS	6	24 ³ / ₁₆ "	614	72 ³ / ₁₆ "	1838	1500	680.4	800	362.9	86	39.0
T2484GS	T2484SGS	6	24 ³ / ₁₆ "	614	84 ³ / ₁₆ "	2143	1500	680.4	800	362.9	99	44.9
T2496GS	T2496SGS	6	24 ³ / ₁₆ "	614	96 ³ / ₁₆ "	2448	1500	680.4	800	362.9	120	54.4
T3024GS	T3024SGS	4	30 ³ / ₁₆ "	767	24 ³ / ₁₆ "	619	1000	453.6	600	272.2	48	21.8
T3036GS	T3036SGS	4	30 ³ / ₁₆ "	767	36 ³ / ₁₆ "	914	1000	453.6	600	272.2	55	24.9
T3048GS	T3048SGS	4	30 ³ / ₁₆ "	767	48 ³ / ₁₆ "	1229	1000	453.6	600	272.2	71	32.2
T3060GS	T3060SGS	4	30 ³ / ₁₆ "	767	60 ³ / ₁₆ "	1534	1000	453.6	600	272.2	83	37.6
T3072GS	T3072SGS	6	30 ³ / ₁₆ "	767	72 ³ / ₁₆ "	1838	1500	680.4	800	362.9	96	43.6
T3084GS	T3084SGS	6	30 ³ / ₁₆ "	767	84 ³ / ₁₆ "	2143	1500	680.4	800	362.9	112	50.8
T3096GS	T3096SGS	6	30 ³ / ₁₆ "	767	96 ³ / ₁₆ "	2448	1500	680.4	800	362.9	125	56.7

Optional Hardwood Cutting Board

model #	width in.	width mm	length in.	length mm	weight lbs.	weight kg
313970	8"	203	24"	610	12	5.4
307105	8"	203	36"	914	16	7.3
307106	8"	203	48"	1219	21	9.5
307107	8"	203	60"	1524	26	11.8
307108	8"	203	72"	1829	31	14.1
307109	8"	203	84"	2134	39	17.6
307110	8"	203	96"	2438	46	20.9

Optional Plate Shelf

model #	width in.	width mm	length in.	length mm	weight lbs.	weight kg
APS2	8"	203	24"	610	5	2.3
APS3	8"	203	36"	914	6	2.7
APS4	8"	203	48"	1219	7	3.2
APS5	8"	203	60"	1524	11	5.0
APS6	8"	203	72"	1829	13	5.8
APS7	8"	203	84"	2134	16	7.3
APS8	8"	203	96"	2438	20	9.0



dimensions of unit with optional hardwood cutting board and plate shelf



casters

Optional Zinc Swivel Casters

5" (127mm)-diameter. 200 lb. (90.7 kg) weight capacity per caster. Heavy duty. Resilient tread.

model #	description
CAH4-SB	set of 4 (2 w/brake)
CAH6-SB	set of 6 (3 w/brake)

EAGLE GROUP

100 Industrial Boulevard, Clayton, DE 19938-8903 USA

Phone: 302-653-3000 or 800-441-8440 • Fax: 302-653-2065

www.eaglegrp.com • www.eaglehmc.com

Printed in U.S.A.
 ©2021 by Eagle Group

Rev. 11/21

Spec sheets available for viewing, printing or downloading from our online literature library at www.eaglegrp.com

Although every attempt has been made to ensure the accuracy of the information provided, we cannot be held responsible for typographical or printing errors. Information and specifications are subject to change without notice. Please confirm at time of order.