



Profit from the Eagle Advantage®

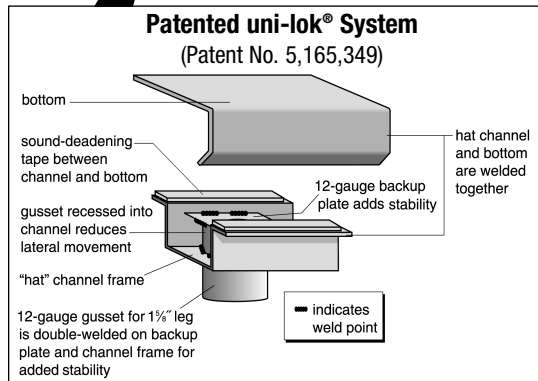
# Specification Sheet

## Short Form Specifications

Eagle Spec-Master® Enclosed Base Worktable, model \_\_\_\_\_ . Top is 14/304 stainless steel, sides and back are heavy gauge stainless steel. (Open Front, Stainless steel Sliding Doors, or Stainless steel Hinged Door) models with 1½" rolled edge on front and rear, sides turned down. Constructed with uni-lok® patented gusset system, with the gussets recessed into the hat channels to reduce lateral movement. 1½" O.D. stainless steel tubular legs with adjustable bullet feet.



enclosed worktable with sliding doors



Item No.: \_\_\_\_\_  
 Project No.: \_\_\_\_\_  
 S.I.S. No.: \_\_\_\_\_

## Spec-Master® Enclosed Worktables with Flat Top

### MODELS:

- |                                    |                                    |                                     |
|------------------------------------|------------------------------------|-------------------------------------|
| <input type="checkbox"/> OB2436SE  | <input type="checkbox"/> CB2436SE  | <input type="checkbox"/> CBH2436SE  |
| <input type="checkbox"/> OB2448SE  | <input type="checkbox"/> CB2448SE  | <input type="checkbox"/> CBH2448SE  |
| <input type="checkbox"/> OB2460SE  | <input type="checkbox"/> CB2460SE  | <input type="checkbox"/> CBH2460SE  |
| <input type="checkbox"/> OB2472SE  | <input type="checkbox"/> CB2472SE  | <input type="checkbox"/> CBH2472SE  |
| <input type="checkbox"/> OB2484SE  | <input type="checkbox"/> CB2484SE  | <input type="checkbox"/> CBH2484SE  |
| <input type="checkbox"/> OB2496SE  | <input type="checkbox"/> CB2496SE  | <input type="checkbox"/> CBH2496SE  |
| <input type="checkbox"/> OB24120SE | <input type="checkbox"/> CB24120SE | <input type="checkbox"/> CBH24120SE |
| <input type="checkbox"/> OB3036SE  | <input type="checkbox"/> CB3036SE  | <input type="checkbox"/> CBH3036SE  |
| <input type="checkbox"/> OB3048SE  | <input type="checkbox"/> CB3048SE  | <input type="checkbox"/> CBH3048SE  |
| <input type="checkbox"/> OB3060SE  | <input type="checkbox"/> CB3060SE  | <input type="checkbox"/> CBH3060SE  |
| <input type="checkbox"/> OB3072SE  | <input type="checkbox"/> CB3072SE  | <input type="checkbox"/> CBH3072SE  |
| <input type="checkbox"/> OB3084SE  | <input type="checkbox"/> CB3084SE  | <input type="checkbox"/> CBH3084SE  |
| <input type="checkbox"/> OB3096SE  | <input type="checkbox"/> CB3096SE  | <input type="checkbox"/> CBH3096SE  |
| <input type="checkbox"/> OB30120SE | <input type="checkbox"/> CB30120SE | <input type="checkbox"/> CBH30120SE |

### Design and Construction Features

- All-welded design.
- Available with open front, sliding doors, or hinged doors.
- Doors are 20 gauge type 430 stainless steel.
- Top mechanically polished to satin finish.
- Sound-deadened between top and frame.
- 1½" (42mm)-diameter type 304 stainless legs.
- 1" (25mm) stainless steel adjustable bullet feet.
- 1½" (38mm) sanitary rolled rim on front and back with square edge on ends for flush fit.
- Optional fixed center shelf available. To order, add suffix "-CS" to model number. Example: OB2436SE-CS

### Options / Accessories

- |                                                      |                                          |
|------------------------------------------------------|------------------------------------------|
| <input type="checkbox"/> Lock (for units with doors) | <input type="checkbox"/> Center shelf    |
| <input type="checkbox"/> Casters*                    | <input type="checkbox"/> Sound deadening |
| <input type="checkbox"/> Overshelf                   |                                          |

\* To order table with 4" (102mm)-diameter casters, add suffix "-CA" (ex: OB3048SE-CA). To order table with 5" (127mm)-diameter casters, add suffix "-CAH" (ex: CB3048SE-CAH).

### EAGLE GROUP

100 Industrial Boulevard  
 Clayton, DE 19938-8903 USA

Phone: 302-653-3000 • 800-441-8440

Fax: 302-653-2065

www.eaglegrp.com • www.eaglemhc.com

For custom configuration or fabrication needs, contact our SpecFAB® Division.

Phone: 302-653-3000 • Fax: 302-653-2065 • e-mail: quotes@eaglegrp.com

### Certifications / Approvals



AutoQuotes



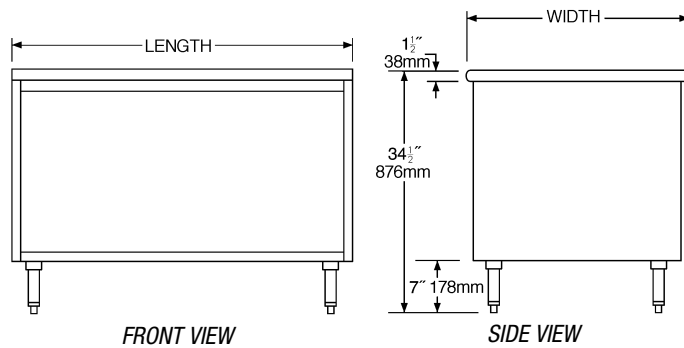
EG10.30 Rev. 08/22

Spec sheets available for viewing, printing or downloading from our online literature library at [www.eaglegrp.com](http://www.eaglegrp.com)

Eagle Foodservice Equipment, Eagle MHC, and SpecFAB® are divisions of Eagle Group. ©2022 by the Eagle Group

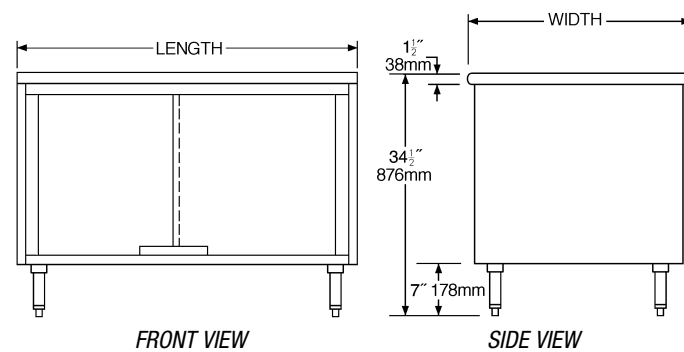
Item No.: \_\_\_\_\_  
Project No.: \_\_\_\_\_  
S.I.S. No.: \_\_\_\_\_

### Spec-Master® Enclosed Worktables with Open Front



model #	width		length		weight		no. of legs
	in.	mm	in.	mm	lbs.	kg	
OB2436SE	24"	610	36"	914	132	59.9	4
OB2448SE	24"	610	48"	1219	160	72.6	4
OB2460SE	24"	610	60"	1524	200	90.7	4
OB2472SE	24"	610	72"	1829	240	108.9	4
OB2484SE	24"	610	84"	2134	281	127.5	6
OB2496SE	24"	610	96"	2438	322	146.1	6
OB24120SE	24"	610	120"	3048	366	166.0	6
OB3036SE	30"	762	36"	914	136	61.7	4
OB3048SE	30"	762	48"	1219	166	75.3	4
OB3060SE	30"	762	60"	1524	199	90.3	4
OB3072SE	30"	762	72"	1829	248	112.5	4
OB3084SE	30"	762	84"	2134	294	133.4	6
OB3096SE	30"	762	96"	2438	340	154.2	6
OB30120SE	30"	762	120"	3048	432	196.0	6

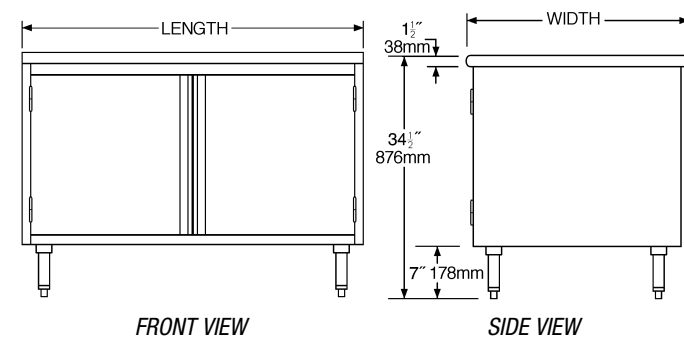
### Spec-Master® Enclosed Worktables with Sliding Doors



model #	width		length		weight		no. of legs
	in.	mm	in.	mm	lbs.	kg	
CB2436SE	24"	610	36"	914	138	62.6	4
CB2448SE	24"	610	48"	1219	170	77.1	4
CB2460SE	24"	610	60"	1524	212	96.2	4
CB2472SE	24"	610	72"	1829	254	115.2	4
CB2484SE*	24"	610	84"	2134	299	135.6	6
CB2496SE*	24"	610	96"	2438	339	153.8	6
CB24120SE*	24"	610	120"	3048	384	174.2	6
CB3036SE	30"	762	36"	914	142	64.4	4
CB3048SE	30"	762	48"	1219	173	78.5	4
CB3060SE	30"	762	60"	1524	219	99.3	4
CB3072SE	30"	762	72"	1829	261	118.4	4
CB3084SE*	30"	762	84"	2134	312	141.5	6
CB3096SE*	30"	762	96"	2438	350	158.8	6
CB30120SE*	30"	762	120"	3048	450	204.1	6

\* Note: Worktables 84" (2134mm) and longer have two sets of doors.

### Spec-Master® Enclosed Worktables with Hinged Doors



model #	width		length		weight		no. of legs
	in.	mm	in.	mm	lbs.	kg	
CBH2436SE	24"	610	36"	914	138	62.6	4
CBH2448SE	24"	610	48"	1219	170	77.1	4
CBH2460SE	24"	610	60"	1524	212	96.2	4
CBH2472SE	24"	610	72"	1829	254	115.2	4
CBH2484SE*	24"	610	84"	2134	299	135.6	6
CBH2496SE*	24"	610	96"	2438	339	153.8	6
CBH24120SE*	24"	610	120"	3048	384	174.2	6
CBH3036SE	30"	762	36"	914	142	64.4	4
CBH3048SE	30"	762	48"	1219	173	78.5	4
CBH3060SE	30"	762	60"	1524	219	99.3	4
CBH3072SE	30"	762	72"	1829	261	118.4	4
CBH3084SE*	30"	762	84"	2134	312	141.5	6
CBH3096SE*	30"	762	96"	2438	350	158.8	6
CBH30120SE*	30"	762	120"	3048	450	204.1	6

\* Note: Worktables 84" (2134mm) and longer have two sets of doors.

#### EAGLE GROUP

100 Industrial Boulevard, Clayton, DE 19938-8903 USA

Phone: 302-653-3000 or 800-441-8440 • Fax: 302-653-2065

www.eaglegrp.com • www.eaglehmc.com

Printed in U.S.A.  
©2022 by Eagle Group

Rev. 08/22

Spec sheets available for viewing, printing or downloading from our online literature library at [www.eaglegrp.com](http://www.eaglegrp.com)

Although every attempt has been made to ensure the accuracy of the information provided, we cannot be held responsible for typographical or printing errors. Information and specifications are subject to change without notice. Please confirm at time of order.