



Profit from the Eagle Advantage®

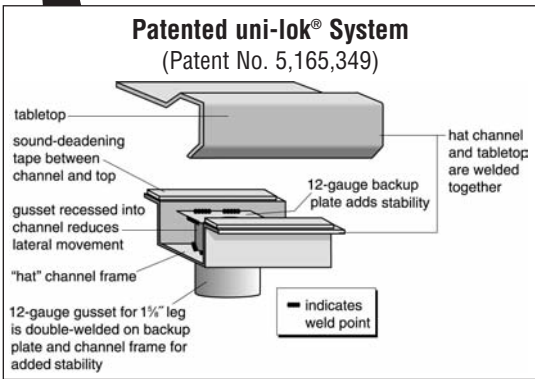
Specification Sheet

Short Form Specifications

Eagle Spec-Master® Marine Prep Table, model _____. Top to be 14/304 stainless steel with box marine edge on front and sides, and 10" backsplash with a 2" return at 45° and turned down 1". Constructed with uni-lok® patented gusset system with the gussets recessed into the hat channels to reduce lateral movement. Two 24" x 18" x 12" deep stainless steel sinks with lever drains, overflows and brackets. Heavy gauge stainless steel undershelf with 2" upturn at rear welded to leg assemblies. 20" x 20" x 5" stainless steel drawer, and 16" x 24" x 1/2" poly cutting board on stainless steel slides welded on outside of unit. Stainless steel tubular legs with stainless steel adjustable bullet feet.



SpecMaster® Marine prep table



Options / Accessories

- Lock
- Receptacles
- Overshelves
- Pot Rack

EAGLE GROUP
100 Industrial Boulevard, Clayton, DE 19938-8903 USA
Phone: 302-653-3000 • Fax: 302-653-2065
www.eaglegrp.com

Foodservice Division: Phone 800-441-8440
MHC/Retail Display Divisions: Phone 800-637-5100

For custom configuration or fabrication needs, contact our **SpecFAB® Division**.
Phone: 302-653-3000 • Fax: 302-653-3091 • e-mail: specfab@eaglegrp.com

Item No.: _____
 Project No.: _____
 S.I.S. No.: _____

Spec-Master® Marine Prep Tables

MODELS:

- SMPT3096**
- SMPT30108**
- SMPT30132**
- SMPT30144**

Tabletop

- 14 gauge type 304 stainless steel.
- Stainless steel gussets with uni-lok® design (patent #5,165,349).
- Full-perimeter underside channeling.
- Box marine edges on front and each end.
- 10" (254mm)-high backsplash with downturn.
- T&S faucet mounted on backsplash, on 8" (203mm) center lines.
- NSF-approved drawer with integrated full-length front pull flange.

Legs

- Stainless steel 1 1/2" (41mm) diameter.
- Stainless steel flanged adjustable feet.

Other features

- Heavy gauge type 304 stainless steel undershelf with 2" (51mm) rear upturn welded to leg assembly.
- Sink features two 24" x 18" x 12" (610 x 457 x 305mm) sink bowls with twist handle drains, overflows and brackets.
- 20" x 20" x 5" (508 x 508 x 127mm) NSF-approved stainless steel drawer with full-length front pull flange.
- 1/2" (13mm)-thick poly cutting board is 16" x 24" (406 x 610mm), with set of slides welded to outside of unit.



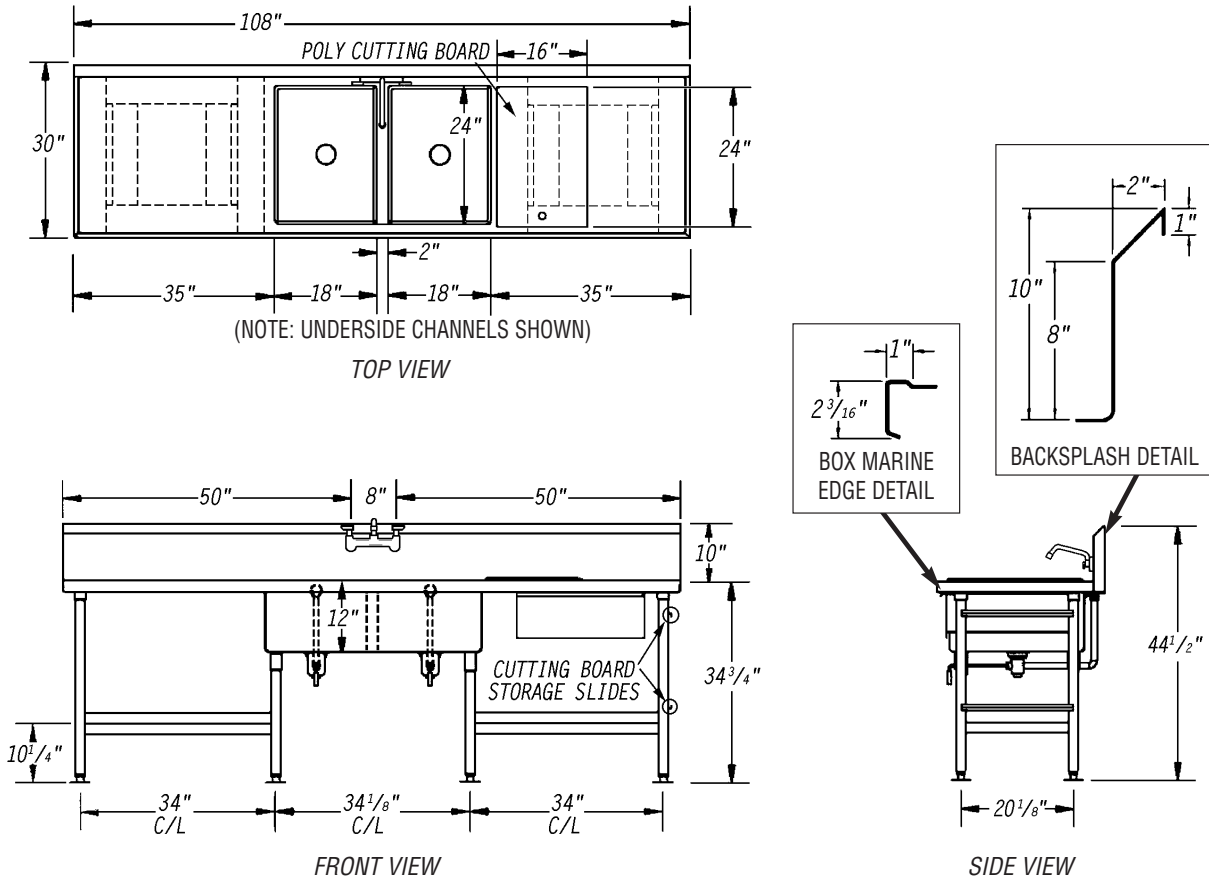
Spec sheets available for viewing, printing or downloading from our online literature library at www.eaglegrp.com



Profit from the Eagle Advantage®

Item No.: _____
 Project No.: _____
 S.I.S. No.: _____

Spec-Master® Marine Prep Tables



model # SMPT30108 shown

model #	width		length		weight	
	in.	mm	in.	mm	lbs.	kg
SMPT3096	30"	762	96"	2438	452	205.0
SMPT30108	30"	762	108"	2743	480	217.7
SMPT30120	30"	762	120"	3048	555	251.8
SMPT30144	30"	762	144"	3658	591	268.1

EAGLE GROUP
 100 Industrial Boulevard, Clayton, DE 19938-8903 USA
 Phone: 302-653-3000 • Fax: 302-653-2065
 www.eaglegrp.com

Foodservice Division: Phone 800-441-8440
 MHC/Retail Display Divisions: Phone 800-637-5100

Printed in U.S.A.
 ©2008 by Eagle Group
 Rev. 10/08

Spec sheets available for viewing, printing or downloading from our online literature library at www.eaglegrp.com

Although every attempt has been made to ensure the accuracy of the information provided, we cannot be held responsible for typographical or printing errors. Information and specifications are subject to change without notice. Please confirm at time of order.