



Profit from the Eagle Advantage®

# Specification Sheet

## Short Form Specifications

Eagle Seamless Welded-In Sink with Fabricated Straight Wall, model \_\_\_\_\_. Constructed of type 304 18-8 stainless steel with 5/8" radius corners, 3 1/2" drain hole with sump, and swirl away drainage.



## Options / Accessories

- P-trap
- Tail piece
- Strainer assembly
- Lever drains

Item No.: \_\_\_\_\_  
 Project No.: \_\_\_\_\_  
 S.I.S. No.: \_\_\_\_\_

# Seamless Welded-In Sinks with Fabricated Straight Wall

## MODELS:

- |   |  |
|---|--|
| <input type="checkbox"/> FNWNF-9-12-6-1   | <input type="checkbox"/> FNWNF-20-20-12-1    |
| <input type="checkbox"/> FNWNF-9-14-8-1   | <input type="checkbox"/> FNWNF-20-20-14-1    |
| <input type="checkbox"/> FNWNF-12-14-8-1  | <input type="checkbox"/> FNWNF-20-27-6-1     |
| <input type="checkbox"/> FNWNF-14-16-8-1  | <input type="checkbox"/> FNWNF-20.5-20.5-5-1 |
| <input type="checkbox"/> FNWNF-18-18-10-1 | <input type="checkbox"/> FNWNF-20.5-20.5-8-1 |
| <input type="checkbox"/> FNWNF-18-18-12-1 | <input type="checkbox"/> FNWNF-24-24-12-1    |
| <input type="checkbox"/> FNWNF-20-20-10-1 | <input type="checkbox"/> FNWNF-24-24-14-1    |

## Design and Construction Features

- For NSF approved welded fabrication.
- Heavy gauge type 304 stainless steel construction.
- Bowls are tapered to allow for 60% nesting, which facilitates shipping and storage.
- 5/8" (16mm) radius corners.
- 3 1/2" (89mm) drain hole with sump.
- Swirlaway drainage.

**EAGLE GROUP**  
 100 Industrial Boulevard, Clayton, DE 19938-8903 USA  
 Phone: 302-653-3000 • Fax: 302-653-2065  
 www.eaglegrp.com • www.eaglemhc.com

**Foodservice Division: Phone 800-441-8440**  
**MHC Division: Phone 800-637-5100**

For custom configuration or fabrication needs, contact our **SpecFAB® Division**.  
 Phone: 302-653-3000 • Fax: 302-653-2065 • e-mail: quotes@eaglegrp.com



EG20.16 Rev. 06/19

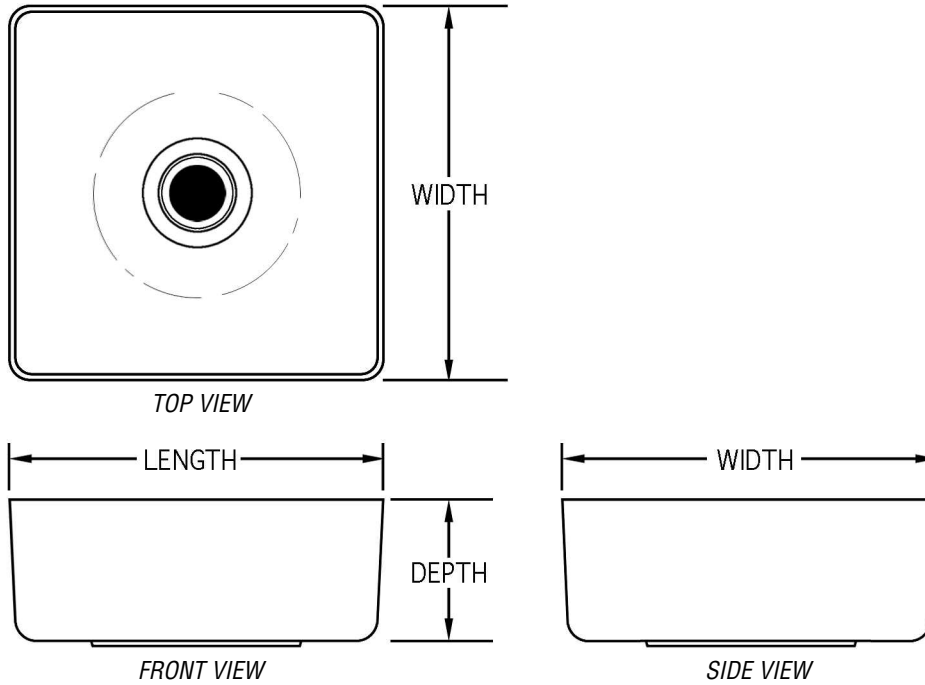
**Spec sheets available for viewing, printing or downloading from our online literature library at [www.eaglegrp.com](http://www.eaglegrp.com)**

*Eagle Foodservice Equipment, Eagle MHC, and SpecFAB® are divisions of Eagle Group. ©2019 by the Eagle Group*



Item No.: \_\_\_\_\_  
 Project No.: \_\_\_\_\_  
 S.I.S. No.: \_\_\_\_\_

## Seamless Welded-In Sinks with Fabricated Straight Wall



model #	inside bowl dimensions						gauge	weight	
	width		length		depth			lbs.	kg
	in.	mm	in.	mm	in.	mm			
FNWNF-9-12-6-1	9"	229	12"	305	6"	432	16	6	2.7
FNWNF-9-14-8-1	9"	229	14"	356	8"	203	16	8	3.6
FNWNF-12-14-8-1	12"	305	14"	356	8"	203	16	11	5.0
FNWNF-14-16-8-1	14"	356	16"	406	8"	203	16	12	5.4
FNWNF-18-18-10-1	18"	457	18"	457	10"	254	14	24	10.9
FNWNF-18-18-12-1	18"	457	18"	457	12"	305	14	27	12.2
FNWNF-20-20-10-1	20"	508	20"	508	10"	254	14	25	11.3
FNWNF-20-20-12-1	20"	508	20"	508	12"	305	14	29	13.2
FNWNF-20-20-14-1	20"	508	20"	508	14"	356	14	32	14.5
FNWNF-20-27-6-1	20"	508	27"	686	6"	152	14	20	9.0
FNWNF-20.5-20.5-5-1	20½"	521	20½"	521	5"	127	14	18	8.2
FNWNF-20.5-20.5-8-1	20½"	521	20½"	521	8"	203	14	24	10.9
FNWNF-24-24-12-1	24"	610	24"	610	12"	305	14	38	17.2
FNWNF-24-24-14-1	24"	610	24"	610	14"	356	14	42	19.1

**EAGLE GROUP**  
 100 Industrial Boulevard, Clayton, DE 19938-8903 USA  
 Phone: 302-653-3000 • Fax: 302-653-2065  
 www.eaglegrp.com • www.eaglemhc.com

Foodservice Division: Phone 800-441-8440  
 MHC Division: Phone 800-637-5100

Printed in U.S.A.  
 ©2019 by Eagle Group  
 Rev. 06/19

Spec sheets available for viewing, printing or downloading from our online literature library at [www.eaglegrp.com](http://www.eaglegrp.com)

Although every attempt has been made to ensure the accuracy of the information provided, we cannot be held responsible for typographical or printing errors. Information and specifications are subject to change without notice. Please confirm at time of order.