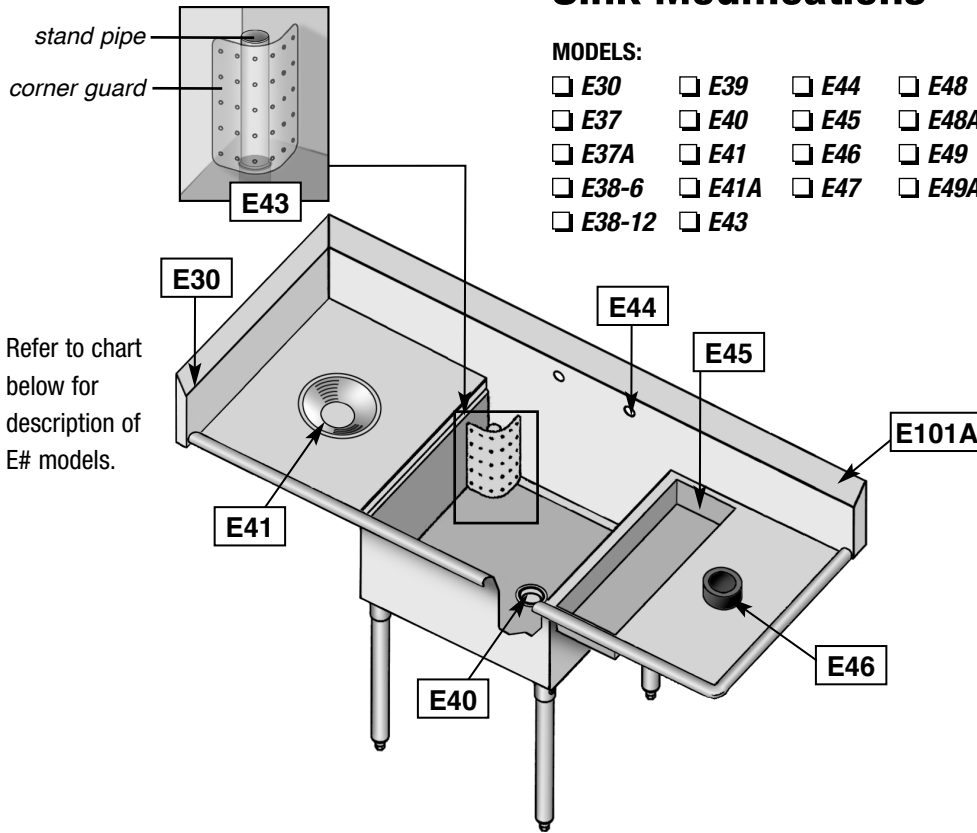


## Specification Sheet

Item No.: \_\_\_\_\_  
 Project No.: \_\_\_\_\_  
 S.I.S. No.: \_\_\_\_\_



Refer to chart below for description of E# models.

### Sink Modifications

**MODELS:**

- |                                 |                               |                              |                               |                              |                                |
|---------------------------------|-------------------------------|------------------------------|-------------------------------|------------------------------|--------------------------------|
| <input type="checkbox"/> E30    | <input type="checkbox"/> E39  | <input type="checkbox"/> E44 | <input type="checkbox"/> E48  | <input type="checkbox"/> E50 | <input type="checkbox"/> E54   |
| <input type="checkbox"/> E37    | <input type="checkbox"/> E40  | <input type="checkbox"/> E45 | <input type="checkbox"/> E48A | <input type="checkbox"/> E51 | <input type="checkbox"/> E55   |
| <input type="checkbox"/> E37A   | <input type="checkbox"/> E41  | <input type="checkbox"/> E46 | <input type="checkbox"/> E49  | <input type="checkbox"/> E52 | <input type="checkbox"/> E56   |
| <input type="checkbox"/> E38-6  | <input type="checkbox"/> E41A | <input type="checkbox"/> E47 | <input type="checkbox"/> E49A | <input type="checkbox"/> E53 | <input type="checkbox"/> E101A |
| <input type="checkbox"/> E38-12 | <input type="checkbox"/> E43  |                              |                               |                              |                                |

Note: Sink modifications may be added to NSF-certified products.

model #	description
E37	NSF sprayed-on sound deadening - up to 12' (3658mm)
E37A	- for each additional foot
E38-6 *	Cantilever mount up to 6' (1829mm)
E38-12 *	Cantilever mount up to 12' (3658mm)
E39	Enclosed backsplash
E47	Sink cover holders, sized for stainless steel or poly (includes upper and lower track)
E48	Stainless steel apron, to cover sink bowls - 2 or 3 compartment
E48A	- for each additional compartment over 3
E49	s/s undershelf under drainboards - up to 24" (610mm) with short legs
E49A	- for each additional foot over 24" (610mm)
E50	Provision for water pump
E51	Optional size drainboard
E52	High backsplash up to 13" (330mm)

model #	description
E53	High backsplash up to 18" (457mm)
E54	Working height revision
E55	Drainboard corner turn
E56	overflow hole

**included in illustration above:**

model #	description
E30	End splash - per end, all heights
E40	Provision for sink heater
E41	Disposal provision package—collared
E41A	Disposal provision package—cone
E43	Stand pipe with corner guard, available only on FN-style and utility sinks
E44	Faucet hole revision - adding or moving
E45	Trough installed in drainboard
E46	Rubber scrap block installed
E101A	Turn down backsplash - per sink, includes Z-clips

\* Applicable to wall mount shelves and pot racks.

**EAGLE GROUP**  
 100 Industrial Boulevard  
 Clayton, DE 19938-8903 USA  
 Phone: 302-653-3000 • 800-441-8440  
 Fax: 302-653-2065  
 www.eaglegrp.com • www.eaglemhc.com



For custom configuration or fabrication needs, contact our **SpecFAB®** Division.  
 Phone: 302-653-3000 • Fax: 302-653-2065 • e-mail: quotes@eaglegrp.com

EG20.50 Rev. 06/22

Spec sheets available for viewing, printing or downloading from our online literature library at [www.eaglegrp.com](http://www.eaglegrp.com)