

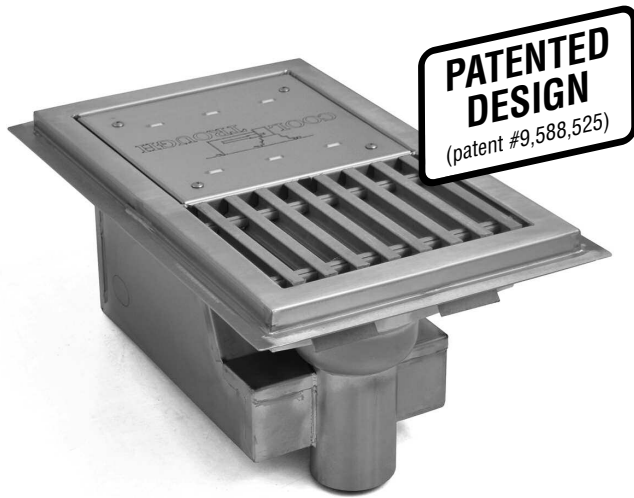


Profit from the Eagle Advantage®

Specification Sheet

Short Form Specifications

Eagle Cool Trough® with Grating, model _____.
Features subway-style gray fiberglass or stainless steel grating. Unit constructed of 14/304 stainless steel all-welded construction. Built-in pitch towards a 4" drain with removable perforated basket. Integral mechanical temperature sensor maintains water temperature of 130°F or less. Anti-Splash units also available.



model #WTFT-1215-FGG

Section 701.7 of the International Plumbing Code mandates that water entering a drainage system cannot exceed 140°F, which could cause problems with PVC pipes and other safety and environmental issues. The Cool Trough® is designed to activate the temperature sensor at 130°F and turn off the mixing valve at 120°F, thus using water only when required.

Many facilities which utilize equipment such as boilers, humidifiers, sterilizers, and commercial equipment typically produce drain water over 140°F. The water must be cooled, or "tempered," before entering drain lines. The operation of the Cool Trough® requires no additional steps for the operator. It only generates economic rewards by extending the life of the drainage system.

Also, because the valve is mechanically actuated, there is no need for electrical connection, which means there is no chance of an electrical component failure.

Hook a cold water line to the shutoff valve provided, and protection for your drain lines is ensured.

EAGLE GROUP

100 Industrial Boulevard, Clayton, DE 19938-8903 USA

Phone: 302-653-3000 • Fax: 302-653-2065

www.eaglegrp.com • www.eaglehmc.com

Foodservice Division: Phone 800-441-8440

MHC Division: Phone 800-637-5100

For custom configuration or fabrication needs, contact our SpecFAB® Division.

Phone: 302-653-3000 • Fax: 302-653-2065 • e-mail: quotes@eaglegrp.com

Spec sheets available for viewing, printing or downloading from our online literature library at www.eaglegrp.com

Eagle Foodservice Equipment, Eagle MHC, and SpecFAB® are divisions of Eagle Group. ©2020 by the Eagle Group

Item No.: _____
Project No.: _____
S.I.S. No.: _____

Cool Trough® Water Tempering Systems

MODELS:

- WTFT-1215-* WTFT-1296-* WTFT-1596-* WTFT-2424-*
- WTFT-1218-* WTFT-1518-* WTFT-1824-* WTFT-2430-*
- WTFT-1224-* WTFT-1524-* WTFT-1830-* WTFT-2436-*
- WTFT-1230-* WTFT-1530-* WTFT-1836-* WTFT-2448-*
- WTFT-1236-* WTFT-1536-* WTFT-1848-* WTFT-2460-*
- WTFT-1248-* WTFT-1548-* WTFT-1860-* WTFT-2472-*
- WTFT-1260-* WTFT-1560-* WTFT-1872-* WTFT-2484-*
- WTFT-1272-* WTFT-1572-* WTFT-1884-* WTFT-2496-*
- WTFT-1284-* WTFT-1584-* WTFT-1896-*

* See chart on back for complete model numbers.

Design & Construction Features

- Integral mechanical temperature sensor maintains water temperature of 130°F or less.
- Built-in pitch towards drain ensures complete drainage.
- Lift-out grating available in anti-slip gray fiberglass or stainless steel.
- 4" (76mm) diameter drain with removable basket style strainer.
- No electrical connection required.
- Shutoff valve provided accepts 1" water line *.
- Reduced pressure valve—includes two check valves.
- Stainless steel anchor clip.
- 14 gauge stainless steel access compartment.
- Troughs available in widths ranging from 12" to 24" (305 to 610mm).
- 18" to 96" (457 to 2438mm) lengths available.
- Anti-splash troughs available—see spec sheet #EG25.03B.
- For Portable Cool Trough®, see spec sheet #EG25.03C.

* Water supply and waste line connections to be provided by licensed plumbing contractor.

Certifications / Approvals



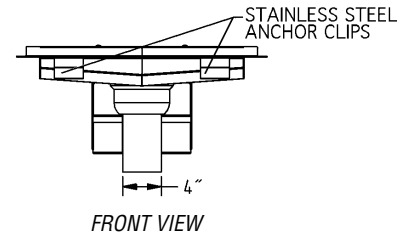
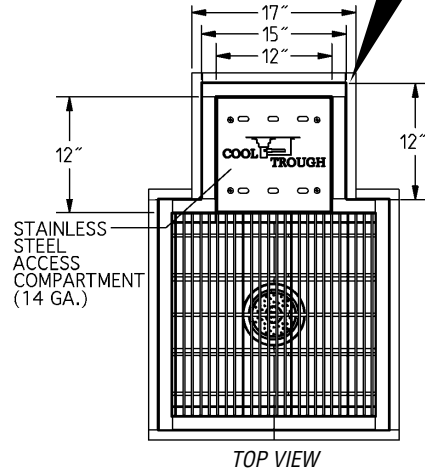
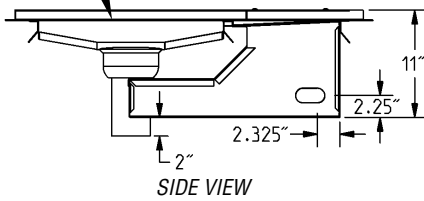
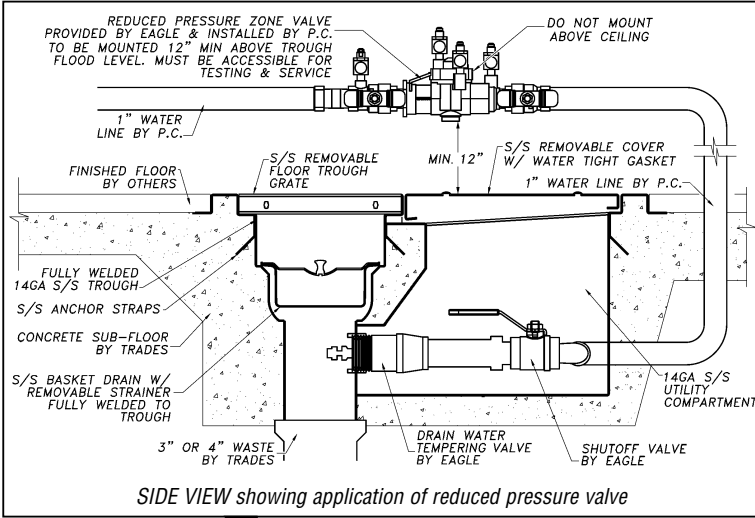
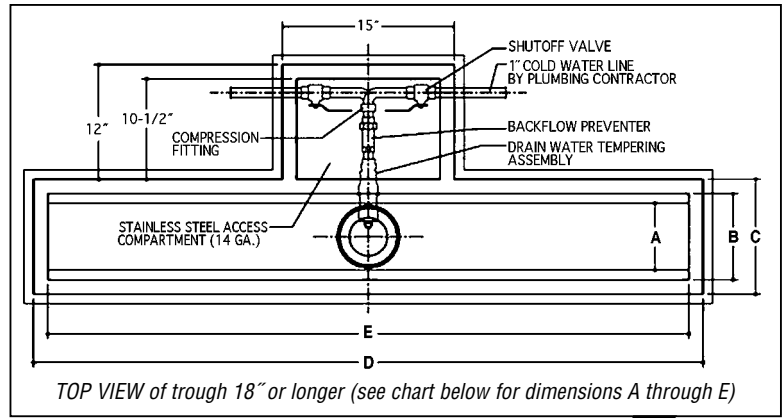
AutoQuotes





Profit from the Eagle Advantage®

Cool Trough® Water Tempering Systems



12" (305mm)-WIDE TROUGHS		15" (381mm)-WIDE TROUGHS		18" (457mm)-WIDE TROUGHS		24" (610mm)-WIDE TROUGHS			
dimension A: 7" (178mm)		dimension A: 10" (254mm)		dimension A: 13" (330mm)		dimension A: 19" (483mm)			
dimension B: 9" (229mm)		dimension B: 12" (305mm)		dimension B: 15" (381mm)		dimension B: 21" (533mm)			
dimension C: 12" (305mm)		dimension C: 15" (381mm)		dimension C: 18" (457mm)		dimension C: 24" (610mm)			
dim. D	dim. E	...with Gray Fiberglass Grating	...with Stainless Steel Grating	...with Gray Fiberglass Grating	...with Stainless Steel Grating	...with Gray Fiberglass Grating	...with Stainless Steel Grating	...with Gray Fiberglass Grating	...with Stainless Steel Grating
in. mm	in. mm	model #	model #	model #	model #	model #	model #	model #	model #
15" 381	12" 305	WTFT-1215-FGG	WTFT-1215-SG	n/a	n/a	n/a	n/a	n/a	n/a
18" 457	15" 381	WTFT-1218-FGG	WTFT-1218-SG	WTFT-1518-FGG	WTFT-1518-SG	n/a	n/a	n/a	n/a
24" 610	21" 533	WTFT-1224-FGG	WTFT-1224-SG	WTFT-1524-FGG	WTFT-1524-SG	WTFT-1824-FGG	WTFT-1824-SG	WTFT-2424-FGG	WTFT-2424-SG
30" 762	27" 686	WTFT-1230-FGG	WTFT-1230-SG	WTFT-1530-FGG	WTFT-1530-SG	WTFT-1830-FGG	WTFT-1830-SG	WTFT-2430-FGG	WTFT-2430-SG
36" 914	33" 838	WTFT-1236-FGG	WTFT-1236-SG	WTFT-1536-FGG	WTFT-1536-SG	WTFT-1836-FGG	WTFT-1836-SG	WTFT-2436-FGG	WTFT-2436-SG
48" 1219	45" 1143	WTFT-1248-FGG	WTFT-1248-SG	WTFT-1548-FGG	WTFT-1548-SG	WTFT-1848-FGG	WTFT-1848-SG	WTFT-2448-FGG	WTFT-2448-SG
60" 1524	57" 1448	WTFT-1260-FGG	WTFT-1260-SG	WTFT-1560-FGG	WTFT-1560-SG	WTFT-1860-FGG	WTFT-1860-SG	WTFT-2460-FGG	WTFT-2460-SG
72" 1829	69" 1753	WTFT-1272-FGG	WTFT-1272-SG	WTFT-1572-FGG	WTFT-1572-SG	WTFT-1872-FGG	WTFT-1872-SG	WTFT-2472-FGG	WTFT-2472-SG
84" 2134	81" 2057	WTFT-1284-FGG	WTFT-1284-SG	WTFT-1584-FGG	WTFT-1584-SG	WTFT-1884-FGG	WTFT-1884-SG	WTFT-2484-FGG	WTFT-2484-SG
96" 2438	93" 2362	WTFT-1296-FGG	WTFT-1296-SG	WTFT-1596-FGG	WTFT-1596-SG	WTFT-1896-FGG	WTFT-1896-SG	WTFT-2496-FGG	WTFT-2496-SG

EAGLE GROUP
 100 Industrial Boulevard, Clayton, DE 19938-8903 USA
 Phone: 302-653-3000 • Fax: 302-653-2065 • www.eaglegrp.com • www.eaglemhc.com

Foodservice Division: Phone 800-441-8440
 MHC Division: Phone 800-637-5100

Printed in U.S.A.
 ©2020 by Eagle Group

Rev. 02/20

Spec sheets available for viewing, printing or downloading from our online literature library at www.eaglegrp.com

Although every attempt has been made to ensure the accuracy of the information provided, we cannot be held responsible for typographical or printing errors. Information and specifications are subject to change without notice. Please confirm at time of order.