



Profit from the Eagle Advantage®

Specification Sheet

Short Form Specifications

Eagle Open Base Cold Pan Unit, model _____.
Top and body are heavy gauge stainless steel. Cold pan is type 304 stainless steel, fully insulated, 20" front-to-back and 6" deep, with pan sloped to a 1½" NPS drain connection. Galvanized adjustable undershelf with 1½" O.D. galvanized tubular legs. Stationary units feature adjustable bullet feet. Portable units come with stainless steel push handle and 4"-diameter casters—two with brakes.



stationary cold pan unit

Options / Accessories

- Bolted-in undershelf
- Casters
- Overshelves
- Tray slide/shelf
- Dish shelf
- Buffet shelf with sneeze guard
- 8" (203mm) poly cutting board
- 8" (203mm) hardwood cutting board

Item No.: _____
 Project No.: _____
 S.I.S. No.: _____

Cold Pan Units— Ice Type, Open Base

MODELS:

- CP-3
- SCP-3
- CP-4
- SCP-4
- CP-5
- SCP-5
- PCP-3
- SPCP-3
- PCP-4
- SPCP-4
- PCP-5
- SPCP-5

Construction

- Heavy gauge 304 stainless steel ice pan is flanged down over heavy gauge stainless steel body.
- The 6" (152mm)-deep ice pan is 20" (508mm)-wide, 2½" (64mm) shorter than overall length of top, and insulated on all four sides and bottom.
- Ice pan slopes down to a 1½" (38mm) drain and plug.
- Undershelf constructed of galvanized steel or stainless steel.
- Legs are 1½" (41mm) diameter.

Design

- Stationary units have non-marking plastic adjustable feet.
- Portable units have 4" (102mm) diameter swivel casters (two with brake) and stainless steel push handle.

EAGLE GROUP

100 Industrial Boulevard, Clayton, DE 19938-8903 USA
 Phone: 302-653-3000 • 800-441-8440 • Fax: 302-653-2065
www.eaglegrp.com
www.eaglegrpnews.com
www.eaglemhc.com

For custom configuration or fabrication needs, contact our **SpecFAB® Division**.
 Phone: 302-653-3000 • Fax: 302-653-2065 • e-mail: quotes@eaglegrp.com



EG30.15 Rev. 10/22

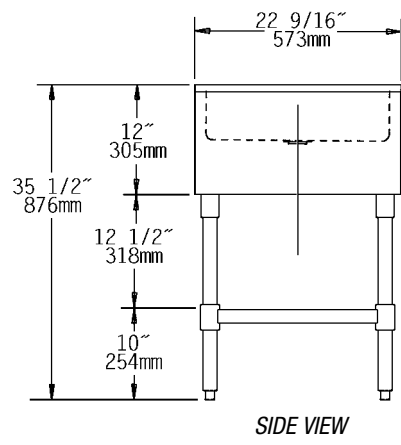
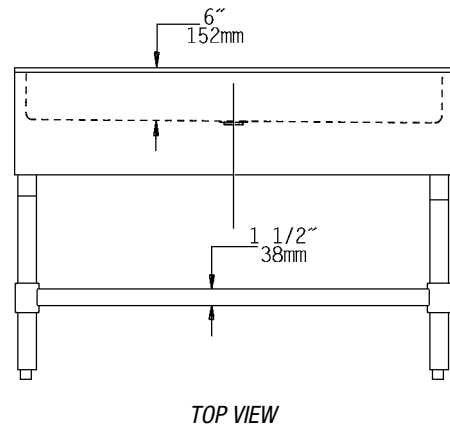
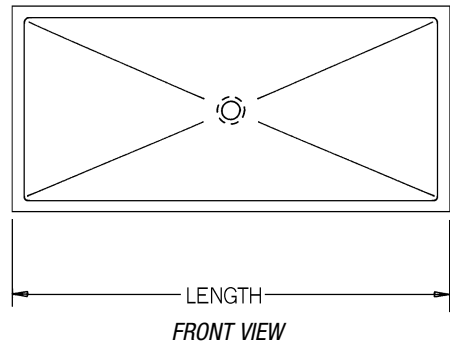
Spec sheets available for viewing, printing or downloading from our online literature library at our websites

Eagle Foodservice Equipment, Eagle MHC, and SpecFAB® are divisions of Eagle Group. ©2022 by the Eagle Group



Item No.: _____
 Project No.: _____
 S.I.S. No.: _____

Cold Pan Units—Ice Type, Open Base



(Note: Stationary unit shown)

WITH GALVANIZED LEGS & UNDERSHELF		WITH STAINLESS STEEL LEGS & UNDERSHELF		stationary or portable	width		length		weight	
model #		model #			in.	mm	in.	mm	lbs.	kg
CP-3		SCP-3		stationary	22 ⁹ / ₁₆ "	573	48"	1219	93	42.2
PCP-3		SPCP-3		portable	22 ⁹ / ₁₆ "	573	50 ¹ / ₂ "	1283	99	44.9
CP-4		SCP-4		stationary	22 ⁹ / ₁₆ "	573	63 ¹ / ₂ "	1613	112	50.8
PCP-4		SPCP-4		portable	22 ⁹ / ₁₆ "	573	66"	1676	118	53.5
CP-5		SCP-5		stationary	22 ⁹ / ₁₆ "	573	79"	2007	206	93.4
PCP-5		SPCP-5		portable	22 ⁹ / ₁₆ "	573	81 ¹ / ₂ "	2070	206	93.4

EAGLE GROUP
 100 Industrial Boulevard, Clayton, DE 19938-8903 USA
 Phone: 302-653-3000 or 800-441-8440 • Fax: 302-653-2065
 www.eaglegrp.com • www.eaglegrpnews.com • www.eaglehmc.com

Printed in U.S.A.
 ©2022 by Eagle Group
 Rev. 10/22

Spec sheets available for viewing, printing or downloading from our online literature library at our websites

Although every attempt has been made to ensure the accuracy of the information provided, we cannot be held responsible for typographical or printing errors. Information and specifications are subject to change without notice. Please confirm at time of order.