



Profit from the Eagle Advantage®

# Specification Sheet

## Short Form Specifications

Eagle Sealed Well Hot Food Tables, Spec-Master® series, model \_\_\_\_\_ enclosed base design. Heavy gauge type 430 stainless steel construction (Open Front or Sliding Doors). Sealed-in heat wells allow for wet or dry application. Heating compartments are insulated on bottom with 1" fiberglass or equal. Recessed control panel with individual controls. Each compartment fitted with an element rated 750-watt at 120-volt, 713-watt at 208-volt, or 950-watt at 240-volt. 6' cord and plug. Furnished with poly cutting board and stainless steel dish shelf.



3-well unit with open front

### Options / Accessories

- Overshelves\*
- Rolltop cover
- Food pans/insets
- Tray slides/shelves
- AutoFill® water fill system

\* See Catalog Sheet #EG30.18 for more information on Flex-Master® overshelves

### EAGLE GROUP

100 Industrial Boulevard, Clayton, DE 19938-8903 USA  
 Phone: 302-653-3000 • 800-441-8440 • Fax: 302-653-2065  
[www.eaglegrp.com](http://www.eaglegrp.com)  
[www.eaglegrpnews.com](http://www.eaglegrpnews.com)  
[www.eaglegrp.com](http://www.eaglegrp.com)

For custom configuration or fabrication needs, contact our **SpecFAB® Division**.  
 Phone: 302-653-3000 • Fax: 302-653-2065 • e-mail: [quotes@eaglegrp.com](mailto:quotes@eaglegrp.com)

Item No.: \_\_\_\_\_  
 Project No.: \_\_\_\_\_  
 S.I.S. No.: \_\_\_\_\_

# Spec-Master® Sealed Well Hot Food Tables—Enclosed Base, Stationary

### MODELS:

- SHT2CB-120     SHT3CB-120     SHT4CB-120     SHT5CB-240\*
- SHT2CB-240\*     SHT3CB-240\*     SHT4CB-240\*     SHT5OB-240\*
- SHT2OB-120     SHT3OB-120     SHT4OB-120
- SHT2OB-240\*     SHT3OB-240\*     SHT4OB-240\*

\* Available in 208-volt and three-phase. See chart on back page.

### Construction

- All type 430 stainless steel construction.
- Sealed-in heat wells, each with individual controls, allow for wet or dry application.
- Built-in drainage eliminates the need for spillage pans, reducing clean-up time.
- Poly cutting board, stainless steel dish shelf.
- 32 1/4" (819mm) front-to-back, including cutting board and dish shelf.
- Channel assemblies run underneath bottom, featuring stainless steel gussets that accommodate the 1 5/8" (41mm)-diameter legs fitted inside.
- Available with open front or stainless steel sliding doors.

### Controls

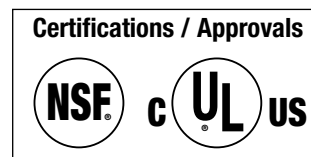
- Individual controls offer a wide range of temperature settings.
- Indicator light remain on continuously while control is on.
- Master switch with pilot light.

### Electrical

- Each compartment is fitted with an element with a rating of 750-watt at 120-volt, 713-watt at 208-volt, or 950-watt at 240-volt.
- 6' (1829mm) cord and plug.
- 120-volt units are single phase. 208- and 240-volt units available in single- and three-phase.

### Sliding Doors (when indicated)

- 22 gauge stainless steel construction complete with recessed stainless steel handle.
- Doors sit within an exclusive rollerless track assembly, providing easier cleaning and lower maintenance.

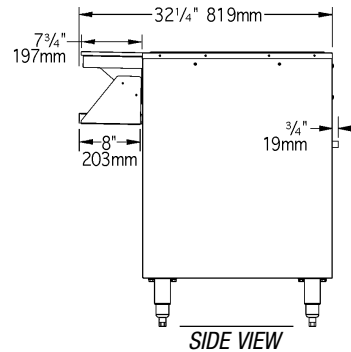
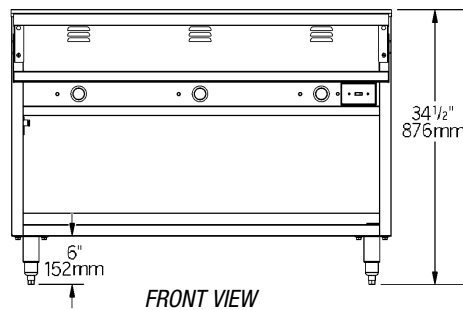
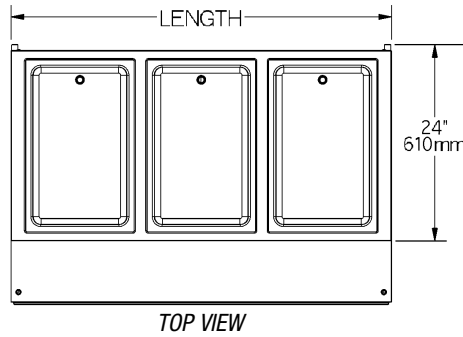


Spec sheets available for viewing, printing or downloading from our online literature library at our websites



Item No.: \_\_\_\_\_  
 Project No.: \_\_\_\_\_  
 S.I.S. No.: \_\_\_\_\_

## Spec-Master® Sealed Well Hot Food Tables—Enclosed Base, Stationary



(note: unit with open front shown)

| SINGLE-PHASE            |                            |       |           | THREE-PHASE *           |                            |       |           | # of top openings | electrical data | length  |      | weight |       |
|-------------------------|----------------------------|-------|-----------|-------------------------|----------------------------|-------|-----------|-------------------|-----------------|---------|------|--------|-------|
| WITH OPEN FRONT model # | WITH SLIDING DOORS model # | amps  | NEMA plug | WITH OPEN FRONT model # | WITH SLIDING DOORS model # | amps  | NEMA plug |                   |                 | in.     | mm   | lbs.   | kg    |
| SHT2OB-120              | SHT2CB-120                 | 12.5A | 5-15P     | n/a                     | n/a                        | -     | -         | 2                 | 1500W, 120V     | 33"     | 838  | 200    | 90.7  |
| SHT2OB-208              | SHT2CB-208                 | 6.9A  | 6-15P     | SHT2OB-208-3            | SHT2CB-208-3               | 6.0A  | 15-20P    | 2                 | 1428W, 208V     | 33"     | 838  | 200    | 90.7  |
| SHT2OB-240              | SHT2CB-240                 | 7.9A  | 6-15P     | SHT2OB-240-3            | SHT2CB-240-3               | 6.9A  | 15-20P    | 2                 | 1900W, 240V     | 33"     | 838  | 200    | 90.7  |
| SHT3OB-120              | SHT3CB-120                 | 18.8A | 5-30P     | n/a                     | n/a                        | -     | -         | 3                 | 2250W, 120V     | 48"     | 1219 | 240    | 108.9 |
| SHT3OB-208              | SHT3CB-208                 | 10.3A | 6-15P     | SHT3OB-208-3            | SHT3CB-208-3               | 6.0A  | 15-20P    | 3                 | 2142W, 208V     | 48"     | 1219 | 240    | 108.9 |
| SHT3OB-240              | SHT3CB-240                 | 11.9A | 6-15P     | SHT3OB-240-3            | SHT3CB-240-3               | 6.9A  | 15-20P    | 3                 | 2850W, 240V     | 48"     | 1219 | 240    | 108.9 |
| SHT4OB-120              | SHT4CB-120                 | 25.0A | 5-50P     | n/a                     | n/a                        | -     | -         | 4                 | 3000W, 120V     | 63 1/2" | 1613 | 314    | 142.4 |
| SHT4OB-208              | SHT4CB-208                 | 13.7A | 6-20P     | SHT4OB-208-3            | SHT4CB-208-3               | 9.1A  | 15-20P    | 4                 | 2856W, 208V     | 63 1/2" | 1613 | 314    | 142.4 |
| SHT4OB-240*             | SHT4CB-240                 | 15.8A | 6-20P     | SHT4OB-240-3            | SHT4CB-240-3               | 10.5A | 15-20P    | 4                 | 3800W, 240V     | 63 1/2" | 1613 | 314    | 142.4 |
| SHT5OB-208*             | SHT5CB-208*                | 17.2A | 6-30P     | SHT5OB-208-3            | SHT5CB-208-3               | 11.9A | 15-20P    | 5                 | 3750W, 208V     | 79"     | 2007 | 353    | 160.1 |
| SHT5OB-240              | SHT5CB-240*                | 19.8A | 6-20P     | SHT5OB-240-3            | SHT5CB-240-3               | 13.7A | 15-20P    | 5                 | 4750W, 240V     | 79"     | 2007 | 353    | 160.1 |

\* All Three-Phase units and Single-Phase 5-well units available in 208V and 240V only.

### Receptacle configurations required

See chart below for required NEMA receptacle.

|                               |                               |                               |                               |                               |                               |                                |
|-------------------------------|-------------------------------|-------------------------------|-------------------------------|-------------------------------|-------------------------------|--------------------------------|
|                               |                               |                               |                               |                               |                               |                                |
| 15A 120V                      | 15A 240V                      | 20A 240V                      | 30A 120V                      | 30A 240V                      | 50A 120V                      | 20A 3Ø 240V                    |
| furnished with NEMA 5-15 plug | furnished with NEMA 6-15 plug | furnished with NEMA 6-20 plug | furnished with NEMA 5-30 plug | furnished with NEMA 6-30 plug | furnished with NEMA 5-50 plug | furnished with NEMA 15-20 plug |

### FLEX-MASTER® Overshelf Kits

Both kits include two 16/304 overshelves and four 30" (762mm) posts. Add suffix specified to order kit (ex: SHT3OB-120-FM), or design your own using standard components from EG30.18.

| description                                  | add suffix |
|--|------------|
| 10" (254mm) overshelves                      | -FM        |
| 15" (381mm) overshelves, plus one ladle rack | -FMU       |

### EAGLE GROUP

100 Industrial Boulevard, Clayton, DE 19938-8903 USA

Phone: 302-653-3000 or 800-441-8440 • Fax: 302-653-2065

www.eaglegrp.com • www.eaglegrpnews.com • www.eaglehmc.com

Printed in U.S.A.  
 ©2022 by Eagle Group

Rev. 10/22

Spec sheets available for viewing, printing or downloading from our online literature library at our websites

Although every attempt has been made to ensure the accuracy of the information provided, we cannot be held responsible for typographical or printing errors. Information and specifications are subject to change without notice. Please confirm at time of order.