



Profit from the Eagle Advantage®

Specification Sheet

Short Form Specifications

Eagle Director's Choice® Heated Surface Unit, model _____. Top to be 16/304 stainless steel turned down on all sides. 1½" square type 304 stainless steel all-welded tubular base. Fully mobile with 5" poly tread casters, two with brakes. Quick release spring loaded docking device keeps adjoining units together. Heated surface top has recessed aluminum top with blanket-type foil for uniform heat. Thermostat control with a range of 80°F to 200°F, and ON/OFF switch. Standard laminate front panel is holly berry red (Wilsonart® #D307-60).



heated surface unit shown with optional tray slide and optional laminate end panels



exclusive docking device joins units together without the use of tools

Options / Accessories

- Laminated end panels
- Stainless steel end panels
- Stainless steel front panels
- Stainless steel tray slide*
- Work shelf**
- Rear doors and panels***
- Sneeze guards - single tier
- Sneeze guards - double tier
- Display lights for overshelf
- Removable stainless undershelf
- Specify laminate _____
- Custom options (see EG8154)

* Available in solid ribbed, square tubular or round tubular. For front, rear, or ends.

** Available in hardwood, stainless steel, poly, or Richlite®. For front, rear, or ends.

*** Available in hinged, solid, or louvered

EAGLE GROUP

100 Industrial Boulevard, Clayton, DE 19938-8903 USA

Phone: 302-653-3000 • Fax: 302-653-2065

www.eaglegrp.com

Foodservice Division: Phone 800-441-8440

MHC/Retail Display Divisions: Phone 800-637-5100

For custom configuration or fabrication needs, contact our SpecFAB® Division.

Phone: 302-653-3000 • Fax: 302-653-3091 • e-mail: specfab@eaglegrp.com

Item No.: _____
 Project No.: _____
 S.I.S. No.: _____

Director's Choice® Heated Surface Units

MODELS:

- DCS3-HS
- DCS4-HS
- DCS5-HS
- DCS6-HS

Design and Construction Features

- Top is solid, constructed of 16 gauge type 304 stainless steel, die-formed, welded, and polished.
- Heated surface features recessed aluminum top with blanket-type foil for uniform heat.
- Control thermostat with a range of 80° to 200°F (27° to 93°C) and On/Off switch.
- Open-base frame features type 304 stainless steel apron on operator's side.
- Welded 1½" (38mm) type 304 stainless steel square tubular base construction.
- Three working heights available—see Catalog Sheet EG33.07:
 - 34" (864mm) standard working height complies with ADA guidelines for accessibility standards.
 - 30" (762mm) for middle schools.
 - 28" (711mm) low profile for elementary schools and nursing/healthcare facilities.
- Tray slide heights available—see Catalog Sheet EG33.07:
 - 31" (787mm) standard height for high schools.
 - 27" (686mm) standard height for middle schools.
 - 25" (635mm) height for elementary schools and nursing/healthcare facilities.
- Fully mobile - standard 5" (127mm) poly tread casters, two with brake (brake casters on server side).
- Wired to cord and plug.
- Standard front holly berry red (Wilsonart® D307-60) laminate mounted on 18 gauge galvanized subpanel.
- Quick-release spring-loaded docking device keeps adjoining units together without the use of tools.
- All units accommodate optional accessories, including tray slides, work shelves, and removable undershelves. See Catalog Sheet EG33.07.

Certifications / Approvals

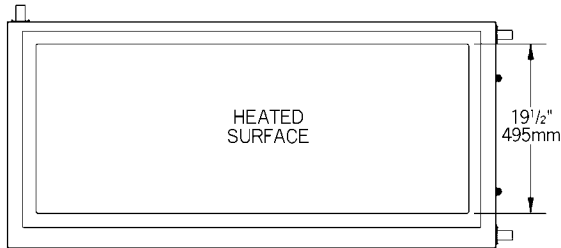


Spec sheets available for viewing, printing or downloading from our online literature library at www.eaglegrp.com



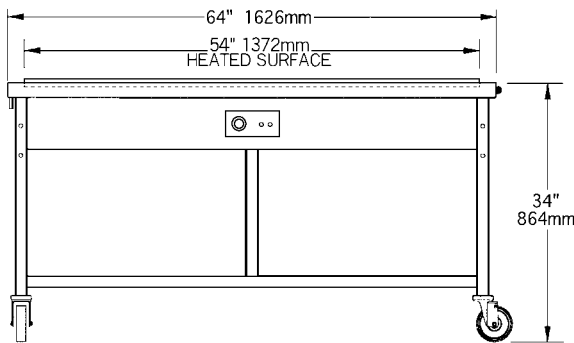
Item No.: _____
 Project No.: _____
 S.I.S. No.: _____

Director's Choice® Heated Surface Units

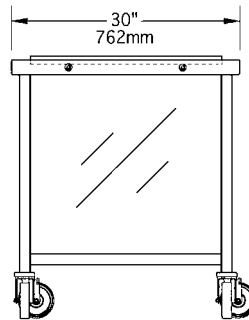


TOP VIEW

Please note: 64" (1626mm) model shown with optional laminate end panels.



FRONT VIEW (OPERATOR'S SIDE)



SIDE VIEW

Receptacle Configurations

for 50"-64"
(1270-1626mm) units:



15 AMP 120V
furnished with
NEMA 5-15 plug

for 78"-96"
(1981-2438mm) units:



20 AMP 120V
furnished with
NEMA 5-20 plug

model #	electrical data	length		heated surface area			
		in.	mm	width	length		
DCS3-HS	120V, 7.4A, 885W	50"	1270	19 1/2"	495	42"	1067
DCS4-HS	120V, 9.3A, 1110W	64"	1626	19 1/2"	495	54"	1372
DCS5-HS	120V, 11.1A, 1330W	78"	1981	19 1/2"	495	66"	1676
DCS6-HS	120V, 12.0A, 1440W	96"	2438	19 1/2"	495	72"	1829

Optional laminate end panels available. To order, add suffix "-LEP" to model number. Example: DCS3-HS-LEP

Optional stainless steel front panel in lieu of laminate front panel available. To order, add suffix "-S" to model number. Example: DCS3-HS-S

Optional stainless steel end panels available. To order, add suffix "-SEP" to model number. Example: DCS3-HS-S-SEP

EAGLE GROUP

100 Industrial Boulevard, Clayton, DE 19938-8903 USA

Phone: 302-653-3000 • Fax: 302-653-2065

www.eaglegrp.com

Foodservice Division: Phone 800-441-8440

MHC/Retail Display Divisions: Phone 800-637-5100

Printed in U.S.A.
©2010 by Eagle Group

Rev. 12/10

Spec sheets available for viewing, printing or downloading from our online literature library at www.eaglegrp.com

Although every attempt has been made to ensure the accuracy of the information provided, we cannot be held responsible for typographical or printing errors. Information and specifications are subject to change without notice. Please confirm at time of order.