

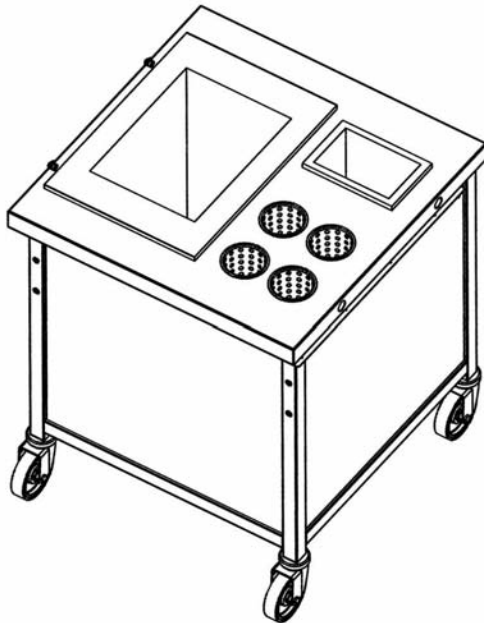


Profit from the Eagle Advantage®

Specification Sheet

Short Form Specifications

Eagle Director's Choice Tray / Silverware / Napkin Dispenser Unit, model #DCS3030-TSND. Top to be 16/304 stainless steel turned down on all sides. 1½" square type 304 stainless steel all-welded tubular base. Quick release spring loaded docking device keeps adjoining units together. Self-leveling tray dispenser accommodates up to 100 trays (specify tray size). Napkin dispenser holds up to 500 napkins. Four ¾"-diameter nylon silverware cylinders. Fully mobile with 5" poly tread casters, two with brake. Standard laminate front panel is holly berry red (Wilsonart® #D307-60).



#DCS3030-TSND unit

Options / Accessories

- Stainless steel end panels
- Stainless steel front panel
- Stainless steel tray slide*
- Work shelf**
- Specify laminate _____

* Available in solid ribbed, square tubular or round tubular. For front, rear, or ends.

** Available in hardwood, stainless steel, poly, or Richlite®. For front, rear, or ends.

EAGLE GROUP

100 Industrial Boulevard, Clayton, DE 19938-8903 USA

Phone: 302-653-3000 • Fax: 302-653-2065

www.eaglegrp.com

Foodservice Division: Phone 800-441-8440

MHC/Retail Display Divisions: Phone 800-637-5100

For custom configuration or fabrication needs, contact our SpecFAB® Division.

Phone: 302-653-3000 • Fax: 302-653-3091 • e-mail: specfab@eaglegrp.com

Item No.: _____
 Project No.: _____
 S.I.S. No.: _____

Director's Choice® Tray-Silverware-Napkin Dispenser Unit

MODELS:

- DCS3030-TSND

Design and Construction Features

- Top is constructed of 16 gauge type 304 stainless steel, die-formed, welded, and polished.
- Four ¾" (95mm)-diameter nylon silverware cylinders.
- Sized for 10 7/8" x 15" (276 x 381mm) trays and 3 3/4" x 6 1/2" (95 x 165mm) napkins.
- Self-leveling tray dispenser with adjustable height holds approximately 100 trays.
- Napkin dispenser holds up to 500 napkins.
- Welded 1 1/2" (38mm) type 304 stainless steel square tubular base construction.
- Three working heights available—see Catalog Sheet EG33.07:
 - 34" (864mm) standard working height complies with ADA guidelines for accessibility standards.
 - 30" (762mm) for middle schools.
 - 28" (711mm) low profile for elementary schools and nursing/healthcare facilities.
- Tray slide heights available—see Catalog Sheet EG33.07:
 - 31" (787mm) standard height for high schools.
 - 27" (686mm) standard height for middle schools.
 - 25" (635mm) height for elementary schools and nursing/healthcare facilities.
- Fully mobile – standard 5" (127mm) poly tread casters, two with brake (brake casters on server side).
- Quick-release spring-loaded docking device keeps adjoining units together without the use of tools.
- Standard holly berry red (Wilsonart® D307-60) laminate mounted on 18 gauge galvanized subpanel.
- All units accommodate optional accessories, including tray slides, work shelves, and removable undershelves. See Catalog Sheet EG33.07.

Certifications / Approvals



CUSTOM-BUILT



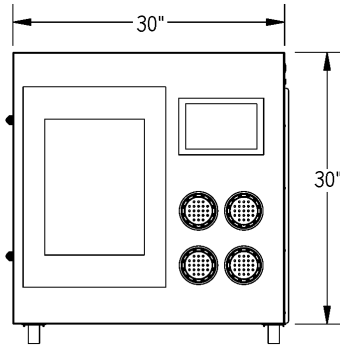
EG33.16 Rev. 05/09

Spec sheets available for viewing, printing or downloading from our online literature library at www.eaglegrp.com

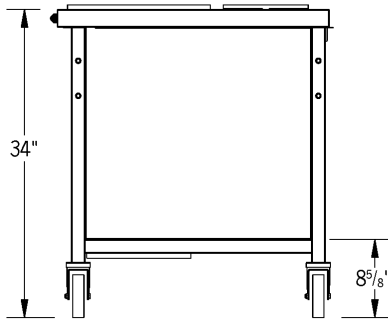


Item No.: _____
 Project No.: _____
 S.I.S. No.: _____

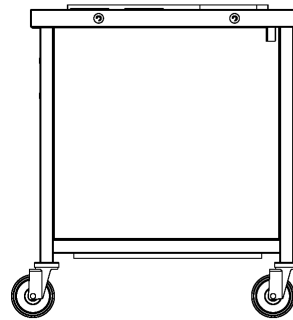
Director's Choice® Tray-Silverware-Napkin Dispenser Unit



TOP VIEW



FRONT VIEW
(SERVING SIDE)



SIDE VIEW

model #	description	length	
		in.	mm
DCS3030-TSND	with dispensers	30"	762

Optional stainless steel front panel in lieu of laminate front panel available. To order, add suffix "-S" to model number. Example: DSC3030-TSND-S
 Optional stainless steel end panels available. To order, add suffix "-SEP" to model number. Example: DSC3030-TSND-S-SEP

EAGLE GROUP
 100 Industrial Boulevard, Clayton, DE 19938-8903 USA
 Phone: 302-653-3000 • Fax: 302-653-2065
 www.eaglegrp.com

Foodservice Division: Phone 800-441-8440
 MHC/Retail Display Divisions: Phone 800-637-5100

Printed in U.S.A.
 ©2009 by Eagle Group
 Rev. 05/09

Spec sheets available for viewing, printing or downloading from our online literature library at www.eaglegrp.com

Although every attempt has been made to ensure the accuracy of the information provided, we cannot be held responsible for typographical or printing errors. Information and specifications are subject to change without notice. Please confirm at time of order.