

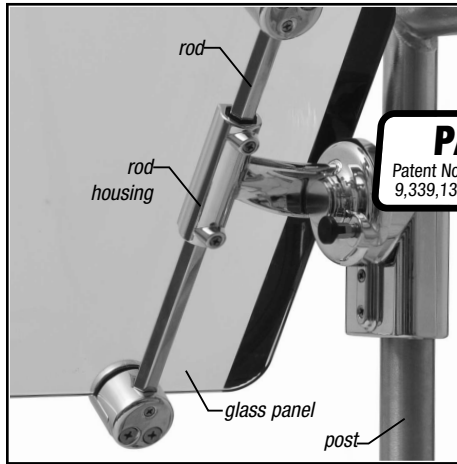


Profit from the Eagle Advantage®

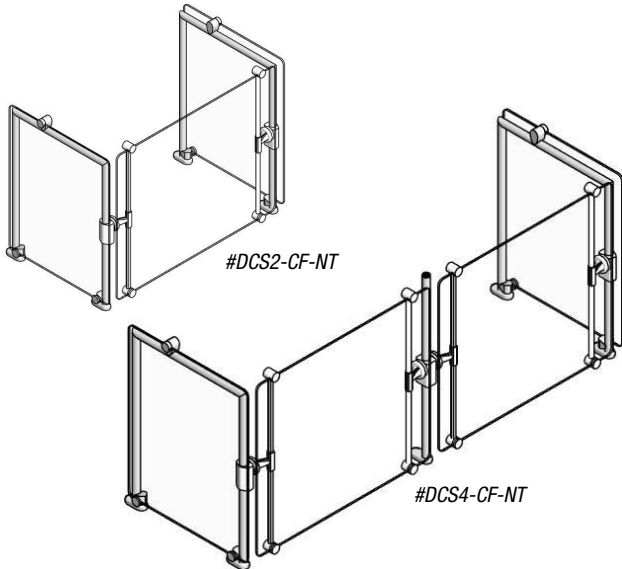
Specification Sheet

Short Form Specifications

Eagle Group Spec-SHIELD™ Cafeteria Carving Station Food Guard, model # _____. Carving station food shield designed to meet NSF requirements. Carving station allows the customer to view product as it is being prepared, plated, carved, or displayed.



PATENTED
Patent Nos. 9,538,868; 9,516,958;
9,339,131; 9,326,621; 9,723,935



Item No.: _____
Project No.: _____
S.I.S. No.: _____

Spec-SHIELD™ Cafeteria Carving Station Food Guards

MODELS:

- DCS2-CF-NT
- DCS3-CF-NT
- DCS4-CF-NT
- DCS5-CF-NT
- DCS6-CF-NT
- DCS4-CF-NT-NC

Design and Construction Features

- No holes in glass panels allows for flexibility in mounting locations
- Front glass is adjustable vertically and may be rotated on 18° increments
- 1" stainless steel posts
- Mounting plates are cast aluminum with stainless steel covers
- Die cast aluminum with chrome finish brackets
- 3/4" radius corners on all glass panels
- Front glass is 1/4" thick. Optional 3/8" thick front glass required for spans over 54"
- End glass included

Options / Accessories

- Heat lamps
- Lights
- 3 3/8" round mounting plate
- 3" Oval mounting plate
- 3" Oval offset mounting plate
- 2" x 8" rectangular mounting plate
- 3-point anchor
- Custom lengths available

⚠ WARNING:

This product can expose you to chemicals including Chromium, which is known to the state of California to cause cancer and birth defects or other reproductive harm. For more information, go to www.P65Warnings.ca.gov.

EAGLE GROUP

100 Industrial Boulevard
Clayton, DE 19938-8903 USA

Phone: 302-653-3000 • 800-441-8440

Fax: 302-653-2065

www.eaglegrp.com • www.eaglemhc.com

For custom configuration or fabrication needs, contact our SpecFAB® Division.

Phone: 302-653-3000 • Fax: 302-653-2065 • e-mail: quotes@eaglegrp.com

Certifications / Approvals



AutoQuotes



EG33.24D Rev. 09/22

Spec sheets available for viewing, printing or downloading from our online literature library at www.eaglegrp.com

Eagle Foodservice Equipment, Eagle MHC, and SpecFAB® are divisions of Eagle Group. ©2022 by the Eagle Group

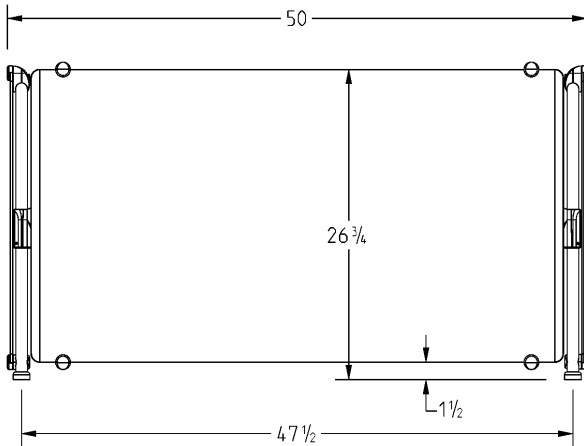


Item No.: _____
 Project No.: _____
 S.I.S. No.: _____

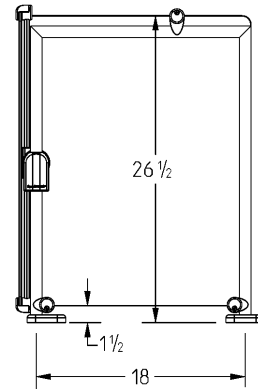
Spec-SHIELD™ Cafeteria Carving Station Food Guards



TOP VIEW



FRONT VIEW



SIDE VIEW

(note: #DCS3-CF-NT shown)

fits Series	# of leg assemblies	length		weight		model #
		in.	mm	lbs.	kg	
DCS2	2	36"	914	287	130.2	DCS2-CF-NT
DCS3	2	50"	1270	310	140.6	DCS3-CF-NT
DCS4	2	64"	1626	353	160.1	DCS4-CF-NT-NC*
DCS4	3	64"	1626	339	153.8	DCS4-CF-NT**
DCS5	3	78"	1981	362	164.2	DCS5-CF-NT**
DCS6	3	96"	2438	391	177.4	DCS6-CF-NT**

* Front and top glass are 3/8" thick.
 ** Unit comes with mid support post.

EAGLE GROUP
 100 Industrial Boulevard, Clayton, DE 19938-8903 USA
 Phone: 302-653-3000 or 800-441-8440 • Fax: 302-653-2065
 www.eaglegrp.com • www.eaglemhc.com

Printed in U.S.A.
 ©2022 by Eagle Group
 Rev. 09/22

Spec sheets available for viewing, printing or downloading from our online literature library at www.eaglegrp.com

Although every attempt has been made to ensure the accuracy of the information provided, we cannot be held responsible for typographical or printing errors. Information and specifications are subject to change without notice. Please confirm at time of order.