



Profit from the Eagle Advantage®

Specification Sheet

Short Form Specifications

Eagle Chef's Line® Gas Griddle with (Manual Controls, Thermostat Control or Thermostatic Control with Safety Pilots), model _____. Heavy gauge stainless steel front with aluminized steel sides. 3/4"-thick griddle plate fully welded to top assembly. Controls at a 45° angle for ergonomic operation, 4" rear and side splashes, conversion pressure regulator with orifices for field conversion to LP. 7½-qt. stainless steel grease drawer and heavy duty cast metal legs with flanged feet. 31,250 BTU per burner. 1/2" N.P.T. rear gas connection. UL Gas Fired Listed.

Eagle Chef's Line® Electric Griddle, model _____. Heavy gauge stainless steel front with aluminized sides. 3/4"-thick griddle plate fully welded to top assembly. Thermostatic controls adjustable from 100° to 450°F, 4000-watt heating elements are secured to underside of griddle plate for uniform heat distribution. Controls at a 45° angle for ergonomic operation, 4" rear and side splashes. 7½-qt. stainless steel grease drawer and heavy duty cast metal legs with flanged feet. 208V/240V, 60-Hz single-phase connection.



gas griddle

Cooking surfaces on all units

- 315 square inches on 15" (381mm) models
- 443 square inches on 24" (610mm) models
- 664 square inches on 36" (914mm) models
- 885 square inches on 48" (1219mm) models

NOTE: INTENDED FOR OTHER THAN HOUSEHOLD USE. THESE COMMERCIAL APPLIANCES MUST BE INSTALLED WITHIN SURROUNDINGS AND VENTILATION REQUIREMENTS AS DICTATED BY NATIONAL AND/OR LOCAL CODE.

EAGLE GROUP
 100 Industrial Boulevard, Clayton, DE 19938-8903 USA
 Phone: 302-653-3000 • Fax: 302-653-2065
 www.eaglegrp.com

Foodservice Division: Phone 800-441-8440
MHC/Retail Display Divisions: Phone 800-637-5100

For custom configuration or fabrication needs, contact our **SpecFAB® Division**.
 Phone: 302-653-3000 • Fax: 302-653-2065 • e-mail: quotes@eaglegrp.com

Item No.: _____
 Project No.: _____
 S.I.S. No.: _____

RedHots® Chef's Line® Griddles

MODELS:

- | | | |
|--|---|---|
| <input type="checkbox"/> CLAGGH-15-NG | <input type="checkbox"/> CLAGGHT-24-NG | <input type="checkbox"/> CLAGGHTS-48-NG |
| <input type="checkbox"/> CLAGGH-24-NG | <input type="checkbox"/> CLAGGHT-36-NG | <input type="checkbox"/> CLEGH-24-240 |
| <input type="checkbox"/> CLAGGH-36-NG | <input type="checkbox"/> CLAGGHT-48-NG | <input type="checkbox"/> CLEGH-36-240 |
| <input type="checkbox"/> CLAGGH-48-NG | <input type="checkbox"/> CLAGGHTS-24-NG | <input type="checkbox"/> CLEGH-48-240 |
| <input type="checkbox"/> CLAGGHT-15-NG | <input type="checkbox"/> CLAGGHTS-36-NG | |



Gas Units

- Available with manual controls, thermostatic controls, or thermostatic controls with safety pilot.
- 31,250 BTU burner per every 12" (305mm) for even heat distribution.
- Natural gas and liquid propane units available.
- 1/2" (13mm) N.P.T. gas connection.

Electric Units cULus

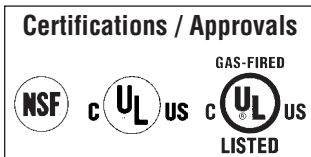
- Thermostatic controls adjustable from 100° to 450°F.
- 4000-watt tubular heating elements secured to underside of griddle plate to provide uniform heat distribution.
- Internal wiring terminated in a junction box at rear for field wiring.
- Front-to-back dimension, including junction box, is 26 3/4" (680mm).

Design and construction features on all units

- Smooth 3/4" (19mm)-thick polished steel griddle plate fully welded to top assembly.
- 4" (102mm) sides and rear splash sloped front-to-back.
- Bullnosed edge provides solid protection for controls, which are at a 45° angle for ergonomic operation.
- 3 1/2" (89mm)-wide front trough with chute, located at the left edge, accommodates standard sized spatula.
- Heavy duty cast metal legs with flanged feet adjustable from 4" to 5" (102 to 127mm).
- 7½-quart polished stainless steel grease drawer.
- Available in 24", 36", and 48" (610, 914, and 1219mm) widths to meet available space and volume requirements.

Warranty

- Backed by a 1-YEAR Parts & Labor Warranty.



AUTOQUOTES



Spec sheets available for viewing, printing or downloading from our online literature library at www.eaglegrp.com

Eagle Foodservice Equipment, Eagle MHC, SpecFAB®, and Retail Display are divisions of Eagle Group. ©2013 by the Eagle Group

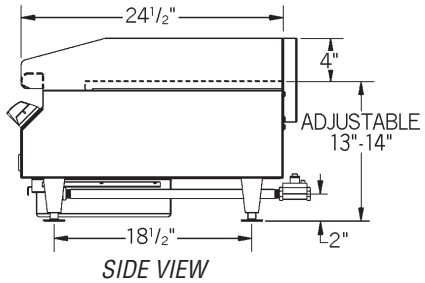
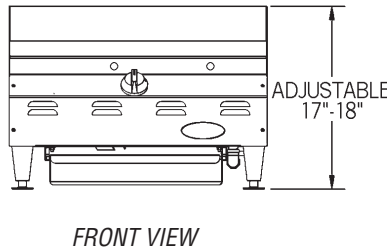
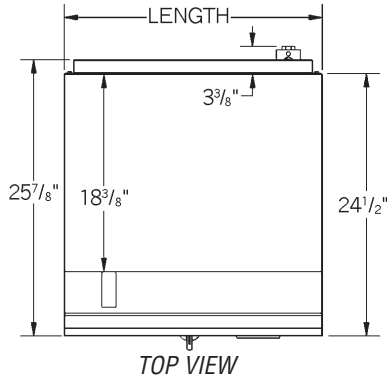


Profit from the Eagle Advantage®

Item No.: _____
 Project No.: _____
 S.I.S. No.: _____

RedHots® Chef's Line® Griddles

Gas Griddles

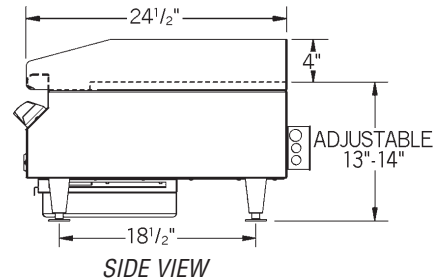
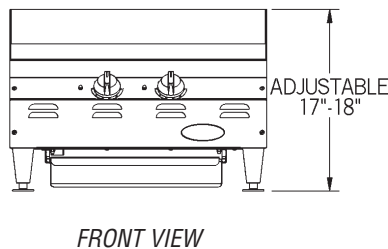
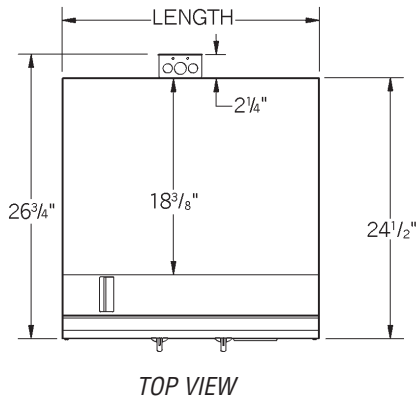


Natural Gas units shown in chart below. To order Liquid Propane units, replace suffix “-NG” inn model number with suffix “-LP”.

MANUAL CONTROLS	THERMOSTATIC CONTROLS	THERMOSTATIC CONTROLS WITH SAFETY PILOTS	width		weight		BTU rating	cooking surface	water * column pressure	
model #	model #	model #	in.	mm	lbs.	kg			in.	mm
CLAGGH-15-NG	CLAGGHT-15-NG	-	15"	381	173	78.5	31,250	315 sq. in.	3 1/2"	89
CLAGGH-24-NG	CLAGGHT-24-NG	CLAGGHTS-24-NG	24"	610	173	78.5	62,500	443 sq. in.	3 1/2"	89
CLAGGH-36-NG	CLAGGHT-36-NG	CLAGGHTS-36-NG	36"	914	240	108.9	94,000	664 sq. in.	3 1/2"	89
CLAGGH-48-NG	CLAGGHT-48-NG	CLAGGHTS-48-NG	48"	1219	318	144.2	125,000	885 sq. in.	3 1/2"	89

* 3 1/2" (89mm) water column pressure for natural gas units, 9 1/2" (241mm) for liquid propane units.

Electric Griddles



model #	electric data (based on single phase connection)	width		weight		cooking surface
		in.	mm	lbs.	kg	
CLEGH-24-240	208V/240V, 28.9A/33.3A, 6000W/8000W	24"	610	175	79.4	443 sq. in.
CLEGH-36-240	208V/240V, 43.3A/50.0A, 9000W/12000W	36"	914	246	111.6	664 sq. in.
CLEGH-48-240	208V/240V, 57.7A/66.7A, 12000W/16000W	48"	1219	327	148.3	885 sq. in.

EAGLE GROUP
 100 Industrial Boulevard, Clayton, DE 19938-8903 USA
 Phone: 302-653-3000 • Fax: 302-653-2065
 www.eaglegrp.com

Foodservice Division: Phone 800-441-8440
 MHC/Retail Display Divisions: Phone 800-637-5100

Printed in U.S.A.
 ©2013 by Eagle Group

Rev. 07/13

Spec sheets available for viewing, printing or downloading from our online literature library at www.eaglegrp.com

Although every attempt has been made to ensure the accuracy of the information provided, we cannot be held responsible for typographical or printing errors. Information and specifications are subject to change without notice. Please confirm at time of order.