



Profit from the Eagle Advantage®

# Specification Sheet

## Short Form Specifications

Eagle Spec-Bar® Filler Board, model \_\_\_\_\_.  
Heavy gauge type 304 stainless steel body, legs, leg channels and cross rails. Top reinforced with heavy gauge support channels. Stainless steel adjustable bullet feet.



## Options / Accessories

- Speed rail

## EAGLE GROUP

100 Industrial Boulevard, Clayton, DE 19938-8903 USA  
Phone: 302-653-3000 • 800-441-8440 • Fax: 302-653-2065  
www.eaglegrp.com  
www.eaglegrpnews.com  
www.eaglemhc.com

For custom configuration or fabrication needs, contact our SpecFAB® Division.  
Phone: 302-653-3000 • Fax: 302-653-2065 • e-mail: quotes@eaglegrp.com

Item No.: \_\_\_\_\_  
Project No.: \_\_\_\_\_  
S.I.S. No.: \_\_\_\_\_

# Spec-Bar® Filler Boards

## MODELS:

- |                                  |                                  |
|----------------------------------|----------------------------------|
| <input type="checkbox"/> FB6-19  | <input type="checkbox"/> FB6-24  |
| <input type="checkbox"/> FB12-19 | <input type="checkbox"/> FB12-24 |
| <input type="checkbox"/> FB18-19 | <input type="checkbox"/> FB18-24 |
| <input type="checkbox"/> FB24-19 | <input type="checkbox"/> FB24-24 |
| <input type="checkbox"/> FB30-19 | <input type="checkbox"/> FB30-24 |
| <input type="checkbox"/> FB36-19 | <input type="checkbox"/> FB36-24 |
| <input type="checkbox"/> FB42-19 | <input type="checkbox"/> FB42-24 |
| <input type="checkbox"/> FB48-19 | <input type="checkbox"/> FB48-24 |
| <input type="checkbox"/> FB60-19 | <input type="checkbox"/> FB60-24 |

## Design and Construction Features

- Backsplash, sides, front panel, and work surface 20 gauge type 304 stainless steel.
- Leg channels, legs and crossbracing are 16 gauge type 304 stainless steel.
- Legs are 1 5/8" (41 mm) diameter, with stainless steel adjustable bullet feet.
- Work surface reinforced with two-layer subsurface.



EG40.29 Rev. 10/22

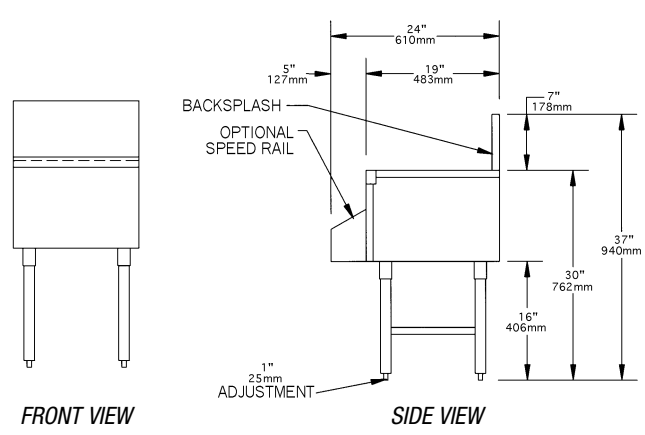
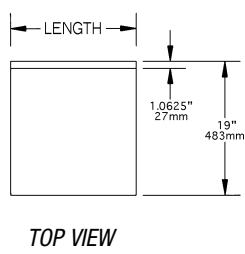
**Spec sheets available for viewing, printing or downloading from our online literature library at our websites**



Item No.: \_\_\_\_\_  
 Project No.: \_\_\_\_\_  
 S.I.S. No.: \_\_\_\_\_

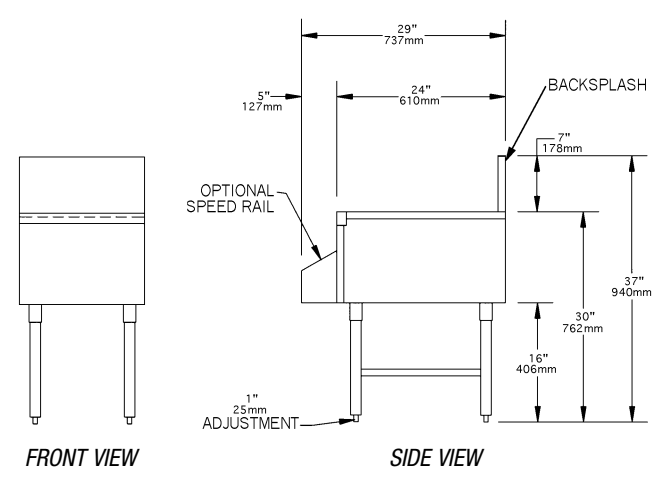
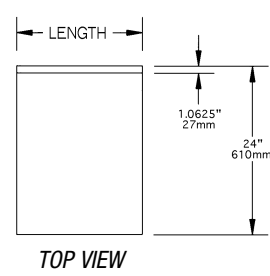
## Spec-Bar® Filler Boards

### 19" (483mm)-wide Filler Boards



model #	length		weight	
	in.	mm	lbs.	kg
FB6-19	6"	152	23	10.4
FB12-19	12"	305	24	10.9
FB18-19	18"	457	26	11.8
FB24-19	24"	610	30	13.6
FB30-19	30"	762	34	15.4
FB36-19	36"	914	63	28.6
FB42-19	42"	1067	71	32.2
FB48-19	48"	1219	73	33.1
FB60-19	60"	1524	86	39.0

### 24" (610mm)-wide Filler Boards



model #	length		weight	
	in.	mm	lbs.	kg
FB6-24	6"	152	26	11.8
FB12-24	12"	305	27	12.2
FB18-24	18"	457	29	13.2
FB24-24	24"	610	31	14.1
FB30-24	30"	762	34	15.4
FB36-24	36"	914	65	29.5
FB42-24	42"	1067	75	34.0
FB48-24	48"	1219	77	34.9
FB60-24	60"	1524	89	40.4

**EAGLE GROUP**  
 100 Industrial Boulevard, Clayton, DE 19938-8903 USA  
 Phone: 302-653-3000 or 800-441-8440 • Fax: 302-653-2065  
 www.eaglegrp.com • www.eaglegrpnews.com • www.eaglehmc.com

Printed in U.S.A.  
 ©2022 by Eagle Group  
 Rev. 10/22

Spec sheets available for viewing, printing or downloading from our online literature library at our websites

Although every attempt has been made to ensure the accuracy of the information provided, we cannot be held responsible for typographical or printing errors. Information and specifications are subject to change without notice. Please confirm at time of order.