



Profit from the Eagle Advantage®

# Specification Sheet

## Short Form Specifications

Eagle Spec-Bar® Glass Rack Storage Unit, GR series, model \_\_\_\_\_. Heavy gauge type 304 stainless steel body, legs, and leg channels. Capacity for three glass racks. Pilasters and clips included. Full bottom shelf with 1½" drain. Stainless steel adjustable bullet feet.

Eagle Spec-Bar® Glass Rack Storage Unit, WBGR series, model \_\_\_\_\_. Heavy gauge type 304 stainless steel body, legs, and leg channels. Stainless steel workboard top with 1½" drain and stainless steel perforated lift-out insert. Capacity for two glass racks. Pilasters and clips included. Stainless steel adjustable bullet feet.



model #GR24-19

## Options / Accessories

- Worktop board \*

\* Available for GR series, standard on WBGR series.

**EAGLE GROUP**  
100 Industrial Boulevard, Clayton, DE 19938-8903 USA  
Phone: 302-653-3000 • Fax: 302-653-2065  
www.eaglegrp.com

**Foodservice Division: Phone 800-441-8440**  
**MHC/Retail Display Divisions: Phone 800-637-5100**

For custom configuration or fabrication needs, contact our **SpecFAB® Division**.  
Phone: 302-653-3000 • Fax: 302-653-3091 • e-mail: specfab@eaglegrp.com

Item No.: \_\_\_\_\_  
Project No.: \_\_\_\_\_  
S.I.S. No.: \_\_\_\_\_

## Spec-Bar® Glass Rack Storage Units

### MODELS:

- GR18-19
- GR24-19
- GR18-24
- GR24-24
- WBGR18-24
- WBGR24-24

### Design and Construction Features

- Body and legs constructed of type 304 stainless steel for strength and durability.
- Back, backsplash and bottom are 20 gauge stainless steel.
- Leg channels and legs are 16 gauge stainless steel.
- Legs are 1½" (41mm)-diameter, with stainless steel adjustable bullet feet.
- Removable clips and pilasters included.
- 24" (610mm)-wide models hold 20" x 20" (508 x 508mm) racks. 18" (457mm)-wide models hold 16" x 16" (406 x 406mm) round racks.
- Full bottom shelf with 1½" (38mm) drain.
- Drains are 1½" (38mm) I.P.S. threaded with nut and washer.

### GR Series

- 18 gauge type 304 stainless steel sides.
- Capacity of three glass racks.
- Two adjustable shelves.

### WBGR Series

- Standard recessed workboard top with removable stainless steel perforated stainless insert.
- 20 gauge type 304 sides, front, drain pan and perforated insert.
- Capacity of two glass racks.
- One adjustable shelf.

### Certifications / Approvals



**AUTOQUOTES**



EG40.49 Rev. 04/11

**Spec sheets available for viewing, printing or downloading from our online literature library at [www.eaglegrp.com](http://www.eaglegrp.com)**

Eagle Foodservice Equipment, Eagle MHC, SpecFAB®, and Retail Display are divisions of Eagle Group. ©2011 by the Eagle Group

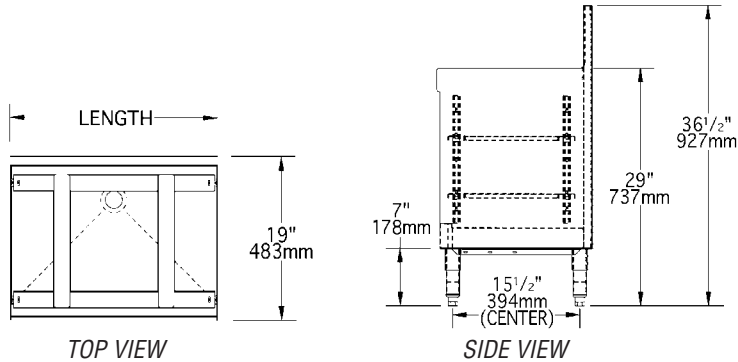


Profit from the Eagle Advantage®

Item No.: \_\_\_\_\_  
 Project No.: \_\_\_\_\_  
 S.I.S. No.: \_\_\_\_\_

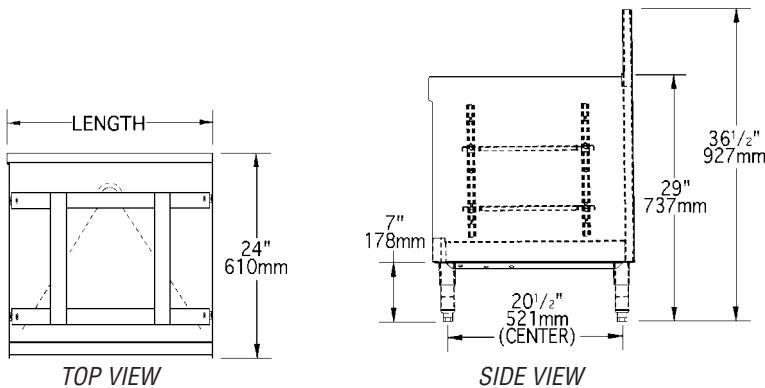
## Spec-Bar® Glass Rack Storage Units

### 19" (483mm)-wide models – GR series



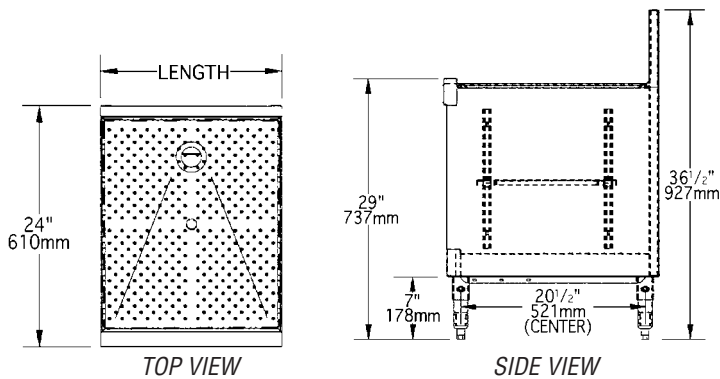
model #	width		length		weight	
	in.	mm	in.	mm	lbs.	kg
<b>GR18-19</b>	19"	483	18"	457	40	18.1
<b>GR24-19</b>	19"	483	24"	610	45	20.4

### 24" (610mm)-wide models – GR series



model #	width		length		weight	
	in.	mm	in.	mm	lbs.	kg
<b>GR18-24</b>	24"	610	18"	457	40	18.1
<b>GR24-24</b>	24"	610	24"	610	52	22.7

### WBGR series



model #	width		length		weight	
	in.	mm	in.	mm	lbs.	kg
<b>WBGR18-24</b>	24"	610	18"	457	47	21.3
<b>WBGR24-24</b>	24"	610	24"	610	55	24.9

**EAGLE GROUP**  
 100 Industrial Boulevard, Clayton, DE 19938-8903 USA  
 Phone: 302-653-3000 • Fax: 302-653-2065  
 www.eaglegrp.com

Foodservice Division: Phone 800-441-8440  
 MHC/Retail Display Divisions: Phone 800-637-5100

Printed in U.S.A.  
 ©2011 by Eagle Group

Rev. 04/11

Spec sheets available for viewing, printing or downloading from our online literature library at [www.eaglegrp.com](http://www.eaglegrp.com)

Although every attempt has been made to ensure the accuracy of the information provided, we cannot be held responsible for typographical or printing errors. Information and specifications are subject to change without notice. Please confirm at time of order.