



Profit from the Eagle Advantage®

# Specification Sheet

## Short Form Specifications

Eagle (1800 / 2200 Series) Modular Add-On Single Step-Down Unit, model \_\_\_\_\_. Top, front, and backsplash to be heavy gauge type 304 stainless steel. Furnished with 15-amp 120-volt duplex GFCI receptacle with waterproof cover plate. Predrilled mounting holes on both ends. Two KD channel/gusset and galvanized leg assemblies with adjustable bullet feet furnished.

Eagle (1800 / 2200 Series) Modular Add-On Double Step-Down Unit, model \_\_\_\_\_. Top, front and backsplash to be heavy gauge type 304 stainless steel. Furnished with 15-amp 120-volt duplex, GFCI receptacle with waterproof cover plate. Predrilled mounting holes on both sides. Two KD channel/gusset and galvanized leg assemblies with adjustable bullet feet furnished.



single step-down unit



double step-down unit

## Options / Accessories

Stainless steel leg kits

## EAGLE GROUP

100 Industrial Boulevard, Clayton, DE 19938-8903 USA

Phone: 302-653-3000 • Fax: 302-653-2065

www.eaglegrp.com

Foodservice Division: Phone 800-441-8440

MHC/Retail Display Divisions: Phone 800-637-5100

For custom configuration or fabrication needs, contact our SpecFAB® Division.

Phone: 302-653-3000 • Fax: 302-653-3091 • e-mail: specfab@eaglegrp.com

Item No.:	_____
Project No.:	_____
S.I.S. No.:	_____

# Modular Add-On Single and Double Step-Down Units— for 1800 and 2200 Series Units

## MODELS:

- MA1-18     MA6-22
- MA1-22     MA6-22

## Design and Construction Features—All Models

- 18 gauge type 304 stainless steel construction.
- Add-on units attach to either end of underbar unit via predrilled mounting holes and pan-head screws.
- Models available for use with both 1800 Series and 2200 Series underbar units.
- NEMA 5-20R, 120-volt 20-amp, duplex GFCI receptacle with waterproof cover plate.
- Includes knocked-down gusset/channel and galvanized leg assemblies.

## Single Step-Down Units

- 12" (305mm) side-to-side.

## Double Step-Down Units

- 18" (457mm) side-to-side.



EG40.60A Rev. 09/09

Spec sheets available for viewing, printing or downloading from our online literature library at [www.eaglegrp.com](http://www.eaglegrp.com)

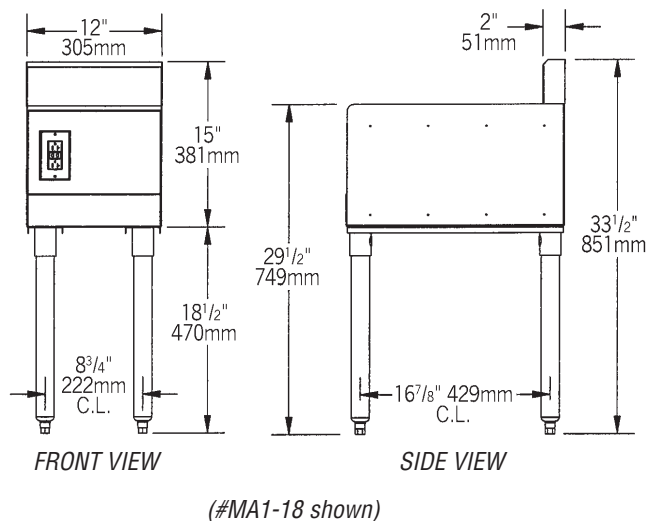
Eagle Foodservice Equipment, Eagle MHC, SpecFAB®, and Retail Display are divisions of Eagle Group. ©2009 by the Eagle Group



Item No.: \_\_\_\_\_  
 Project No.: \_\_\_\_\_  
 S.I.S. No.: \_\_\_\_\_

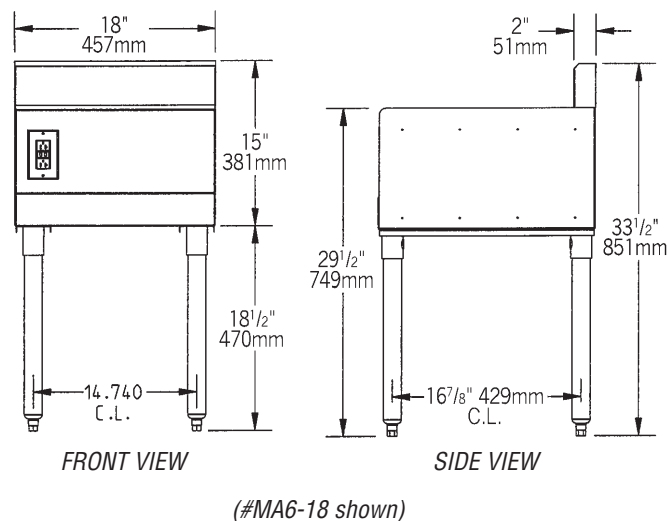
## Modular Add-On Single and Double Step-Down Units— for 1800 and 2200 Series Units

### Single Step-Down Units



model #	to fit	front-to-back		side-to-side		weight	
		in.	mm	in.	mm	lbs.	kg
MA1-18	1800 Series units	19 1/2"	495	12"	305	15	6.8
MA1-22	2200 Series units	23 1/2"	597	12"	305	16	7.3

### Double Step-Down Units



model #	to fit	front-to-back		side-to-side		weight	
		in.	mm	in.	mm	lbs.	kg
MA6-18	1800 Series units	19 1/2"	495	18"	457	20	9.0
MA6-22	2200 Series units	23 1/2"	597	18"	457	22	10.1

### Optional Stainless Steel Leg Kits

add suffix #	description
-SL	stainless steel leg assemblies
-SLF	stainless steel leg assemblies & stainless steel feet
-SLG	stainless steel leg assemblies & stainless steel gussets
-SLGF	stainless steel leg assemblies, stainless steel feet & gussets

**EAGLE GROUP**  
 100 Industrial Boulevard, Clayton, DE 19938-8903 USA  
 Phone: 302-653-3000 • Fax: 302-653-2065  
 www.eaglegrp.com

Foodservice Division: Phone 800-441-8440  
 MHC/Retail Display Divisions: Phone 800-637-5100

Printed in U.S.A.  
 ©2009 by Eagle Group  
 Rev. 09/09

Spec sheets available for viewing, printing or downloading from our online literature library at [www.eaglegrp.com](http://www.eaglegrp.com)

Although every attempt has been made to ensure the accuracy of the information provided, we cannot be held responsible for typographical or printing errors. Information and specifications are subject to change without notice. Please confirm at time of order.