



Profit from the Eagle Advantage®

Specification Sheet

Short Form Specifications

Eagle (1800 / 2200 Series) Modular Add-On Liquid Waste Step Down Unit, model _____. Top, front and backsplash to be heavy gauge type 304 stainless steel. Liquid waste chute with 1½" drain, strainer, faucet and tail piece. Step down furnished with 15-amp 120-volt duplex GFCI receptacle with waterproof cover plate. Predrilled mounting holes on both sides. Two KD channel/gusset and galvanized leg assemblies with adjustable bullet feet furnished.

Eagle (1800 / 2200 Series) Modular Add-On Step Down Sink Unit, model _____. Top, front and backsplash to be heavy gauge type 304 stainless steel. Furnished with 15-amp 120-volt duplex, GFCI receptacle with waterproof cover plate, and 10" x 14" x 10" deep-drawn sink with faucet and basket drain. Predrilled mounting holes on both sides. Two KD channel/gusset and galvanized leg assemblies with adjustable bullet feet furnished.



liquid waste step-down unit



sink step-down unit

Options / Accessories

- Stainless steel leg kits

EAGLE GROUP

100 Industrial Boulevard, Clayton, DE 19938-8903 USA

Phone: 302-653-3000 • Fax: 302-653-2065

www.eaglegrp.com

Foodservice Division: Phone 800-441-8440

MHC/Retail Display Divisions: Phone 800-637-5100

For custom configuration or fabrication needs, contact our SpecFAB® Division.

Phone: 302-653-3000 • Fax: 302-653-3091 • e-mail: specfab@eaglegrp.com



EG40.60B Rev. 09/09

Spec sheets available for viewing, printing or downloading from our online literature library at www.eaglegrp.com

Eagle Foodservice Equipment, Eagle MHC, SpecFAB®, and Retail Display are divisions of Eagle Group. ©2009 by the Eagle Group

Item No.: _____
Project No.: _____
S.I.S. No.: _____

Modular Add-On Liquid Waste and Sink Step-Down Units— for 1800 and 2200 Series Units

MODELS:

- MA4-18 MA7-22
- MA4-22 MA7-22

Design and Construction Features—All Models

- 18 gauge type 304 stainless steel construction.
- Add-on units attach to either end of underbar unit via predrilled mounting holes and pan-head screws.
- Models available for use with both 1800 Series and 2200 Series underbar units.
- NEMA 5-20R, 120-volt 20-amp, duplex GFCI receptacle with waterproof cover plate.
- Includes knocked-down gusset/channel and galvanized leg assemblies.

Liquid Waste Step-Down Units

- Includes 6" (152mm)-diameter liquid waste assembly with removable stainless steel perforated liner, 1½" (38mm) drain, and faucet.

Sink Step-Down Units

- Includes 10" x 14" (254 x 357mm) sink with 1½" (38mm) drain and deck-mount faucet.

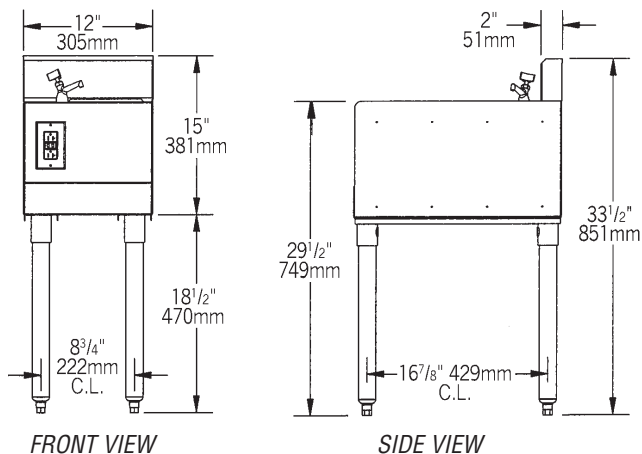


Profit from the Eagle Advantage®

Item No.: _____
 Project No.: _____
 S.I.S. No.: _____

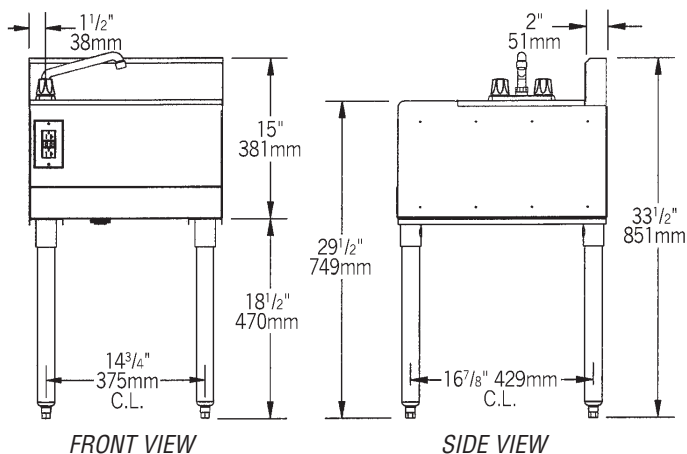
Modular Add-On Liquid Waste and Sink Step-Down Units— for 1800 and 2200 Series Units

Liquid Waste Step-Down Units



(#MA4-18 shown)

Sink Step-Down Units



(#MA7-18 shown)

model #	to fit	front-to-back		side-to-side		weight	
		in.	mm	in.	mm	lbs.	kg
MA4-18	1800 Series units	19 1/2"	495	12"	305	17	7.7
MA4-22	2200 Series units	23 1/2"	597	12"	305	21	9.5

model #	to fit	front-to-back		side-to-side		weight	
		in.	mm	in.	mm	lbs.	kg
MA7-18	1800 Series units	19 1/2"	495	18"	457	35	15.9
MA7-22	2200 Series units	23 1/2"	597	18"	457	37	16.8

Optional Stainless Steel Leg Kits

add suffix #	description
-SL	stainless steel leg assemblies
-SLF	stainless steel leg assemblies & stainless steel feet
-SLG	stainless steel leg assemblies & stainless steel gussets
-SLGF	stainless steel leg assemblies, stainless steel feet & gussets

EAGLE GROUP
 100 Industrial Boulevard, Clayton, DE 19938-8903 USA
 Phone: 302-653-3000 • Fax: 302-653-2065
 www.eaglegrp.com

Foodservice Division: Phone 800-441-8440
 MHC/Retail Divisions: Phone 800-637-5100

Printed in U.S.A.
 ©2009 by Eagle Group
 Rev. 09/09

Spec sheets available for viewing, printing or downloading from our online literature library at www.eaglegrp.com

Although every attempt has been made to ensure the accuracy of the information provided, we cannot be held responsible for typographical or printing errors. Information and specifications are subject to change without notice. Please confirm at time of order.