



Profit from the Eagle Advantage®

Specification Sheet

Short Form Specifications

Eagle (1800 / 2200 Series) Modular Add-On Filler Stand with Tube Chase, model _____. Top, front and backsplash to be heavy gauge type 304 stainless steel. 4" x 4" x 6½" high tubing chase and "V" edge on perimeter to retard spillage. Predrilled mounting holes on both sides.

Eagle (1800 / 2200 Series) Modular Add-On Workboard Units, model _____. Top, front and backsplash to be heavy gauge type 304 stainless steel. Embossed work surface with 1½" drain. 1½" O.D. galvanized tubular legs with adjustable bullet feet.



#TCS6-18
filler with tube chase



#MAWB12-18
workboard

Options / Accessories

- Stainless steel leg kits

EAGLE GROUP

100 Industrial Boulevard, Clayton, DE 19938-8903 USA

Phone: 302-653-3000 • Fax: 302-653-2065

www.eaglegrp.com

Foodservice Division: Phone 800-441-8440

MHC/Retail Display Divisions: Phone 800-637-5100

For custom configuration or fabrication needs, contact our SpecFAB® Division.

Phone: 302-653-3000 • Fax: 302-653-3091 • e-mail: specfab@eaglegrp.com

Item No.: _____
Project No.: _____
S.I.S. No.: _____

Modular Add-On Fillers and Workboards— for 1800 and 2200 Series Units

MODELS:

- TCS6-18 MAWB12-22
- TCS6-22 MAWB12-22

Design and Construction Features—All Models

- New bullnose front edge.
- 18 gauge type 304 stainless steel construction.
- Add-on units attach to either end of underbar unit via predrilled mounting holes and pan-head screws.
- Models available for use with both 1800 Series and 2200 Series underbar units.

Fillers with Tube Chase

- 4" x 4" (102 x 102mm) tubing chase stands 6½" (165mm) tall.
- "V"-edge around perimeter to retard spillage.

Workboards

- Provides extra work space.
- Includes 1½" (38mm) drain.
- 1½" (41mm)-diameter tubular legs.
- Knocked-down gusset/channel and galvanized leg assemblies.

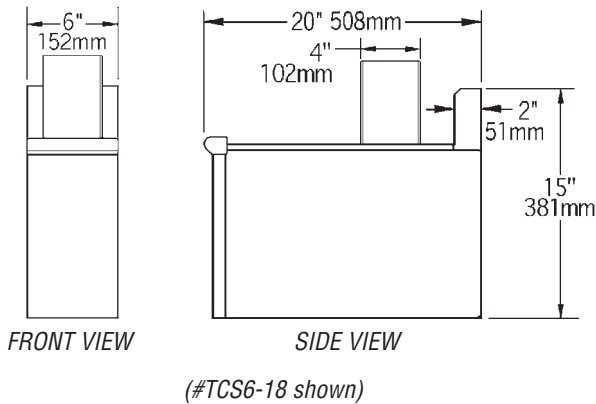




Item No.: _____
 Project No.: _____
 S.I.S. No.: _____

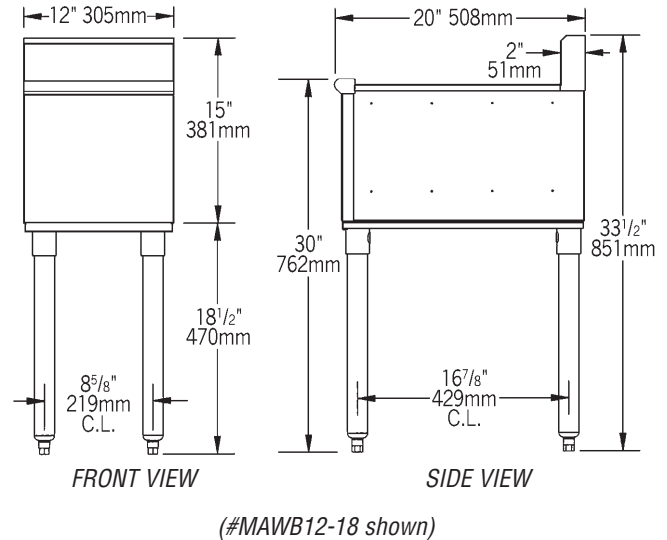
Modular Add-On Fillers and Workboards— for 1800 and 2200 Series Units

Fillers with Tube Chase



model #	to fit	front-to-back in. mm	side-to-side in. mm	weight lbs. kg
TCS6-18	1800 Series units	20" 508	6" 152	18 8.2
TCS6-22	2200 Series units	24" 610	6" 152	20 9.0

Workboards



model #	to fit	front-to-back in. mm	side-to-side in. mm	weight lbs. kg
MAWB12-18	1800 Series units	20" 495	12" 305	21 9.5
MAWB12-22	2200 Series units	24" 597	12" 305	22 10.0

Optional Stainless Steel Leg Kits

add suffix #	description
-SL	stainless steel leg assemblies
-SLF	stainless steel leg assemblies & stainless steel feet
-SLG	stainless steel leg assemblies & stainless steel gussets
-SLGF	stainless steel leg assemblies, stainless steel feet & gussets

EAGLE GROUP
 100 Industrial Boulevard, Clayton, DE 19938-8903 USA
 Phone: 302-653-3000 • Fax: 302-653-2065
 www.eaglegrp.com

Foodservice Division: Phone 800-441-8440
 MHC/Retail Display Divisions: Phone 800-637-5100

Printed in U.S.A.
 ©2010 by Eagle Group
 Rev. 06/10

Spec sheets available for viewing, printing or downloading from our online literature library at www.eaglegrp.com

Although every attempt has been made to ensure the accuracy of the information provided, we cannot be held responsible for typographical or printing errors. Information and specifications are subject to change without notice. Please confirm at time of order.