

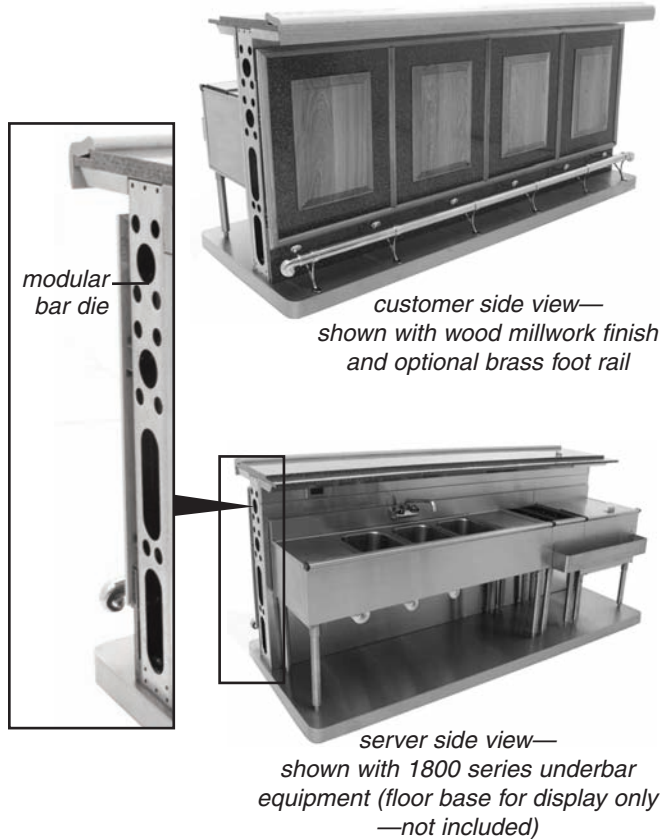


Profit from the Eagle Advantage®

Specification Sheet

Short Form Specifications

Eagle (1800 / 2200 Series) Modular Bar Die. Interior finish is heavy gauge type 304 stainless steel. Substructure is 12 gauge galvanized steel. Used to enclose and hide beer, soda, electrical, and plumbing lines in a chase incorporated into the unit.



Options / Accessories

- Countertop
- Millwork finish
- Stainless steel finish
- Decorative rails and fittings
- Decorative laminates
- Lights for customer's side
- Plug-in fluorescent lights for server's side

EAGLE GROUP
 100 Industrial Boulevard, Clayton, DE 19938-8903 USA
 Phone: 302-653-3000 • Fax: 302-653-2065
 www.eaglegrp.com

Foodservice Division: Phone 800-441-8440
MHC/Retail Display Divisions: Phone 800-637-5100

For custom configuration or fabrication needs, contact our **SpecFAB® Division**.
 Phone: 302-653-3000 • Fax: 302-653-3091 • e-mail: specfab@eaglegrp.com

Item No.: _____
 Project No.: _____
 S.I.S. No.: _____

Modular Bar Dies— for 1800 and 2200 Series Units

Please call our SpecFAB® department at 800-441-8440 with your design requirements.

Design and Construction Features

- Designed specifically for Eagle Group's 1800 or 2200 series underbar equipment.
- Interior finish is 20 gauge type 304 stainless steel.
- Substructure is 12 gauge galvanized steel.
- Bar dies enclose and hide soda, beer, electrical and plumbing lines in a chase incorporated into the unit.
- The chase serves as a rear wall and splash. Front of the bar can be covered by removable panels that provide easy access to the chase for future modifications and maintenance.
- Underbar equipment can be mounted to, or just placed against, modular bar dies. Bar dies must be securely fastened to the floor. For added stability, fasten one or both ends to a wall.
- Panels can be covered in a decorative laminate, an elegant wood millwork finish or a stunning stainless steel finish.
- Add decorative brass or chrome rails and fittings to match any decor.
- Optional factory U.L. wiring and plumbing package.

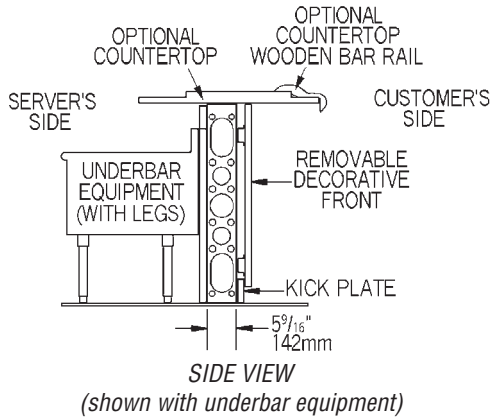
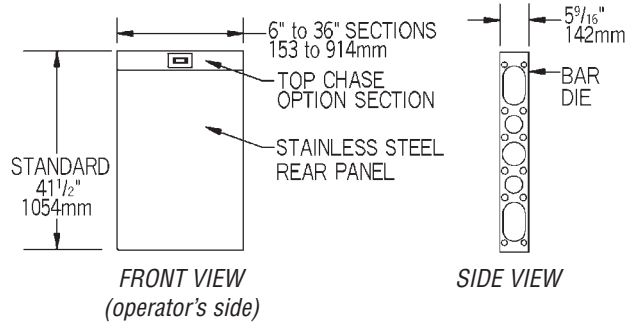


Spec sheets available for viewing, printing or downloading from our online literature library at www.eaglegrp.com

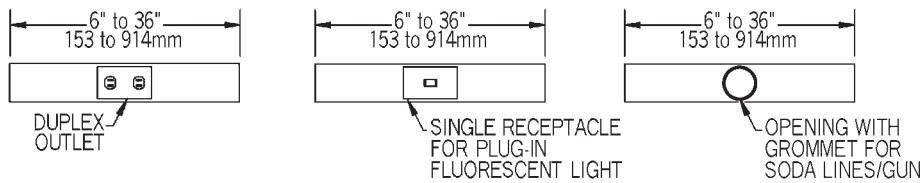


Item No.: _____
 Project No.: _____
 S.I.S. No.: _____

Modular Bar Dies—for 1800 and 2200 Series Units



Top Chase Options



Note: Sections available in 6" to 36" (153 to 914mm) lengths, as line art illustrates. Units longer than 36" (914mm) require multiple pedestals.

EAGLE GROUP
 100 Industrial Boulevard, Clayton, DE 19938-8903 USA
 Phone: 302-653-3000 • Fax: 302-653-2065
 www.eaglegrp.com

Foodservice Division: Phone 800-441-8440
 MHC/Retail Display Divisions: Phone 800-637-5100

Printed in U.S.A.
 ©2008 by Eagle Group
 Rev. 11/08

Spec sheets available for viewing, printing or downloading from our online literature library at www.eaglegrp.com

Although every attempt has been made to ensure the accuracy of the information provided, we cannot be held responsible for typographical or printing errors. Information and specifications are subject to change without notice. Please confirm at time of order.