



Profit from the Eagle Advantage®

# Specification Sheet

## Short Form Specifications

Eagle 1800 Series Cocktail Workstation, model \_\_\_\_\_. Top, front, backsplash, and ice bin are heavy gauge type 304 stainless steel. Fabricated ice bin is 8" deep, fully insulated, with 1½" drain. Unit furnished with stainless steel speed rail. Work board section to have 1½" drain in top. 1½" galvanized tubular legs with adjustable bullet feet.

Eagle 1800 Series Cocktail Workstation with Sealed-In Cold Plate, model \_\_\_\_\_. Top, front, backsplash, and ice bin are heavy gauge type 304 stainless steel. Fabricated ice bin is 8" deep, fully insulated, with sealed-in 7-circuit cold plate and 1½" drain. 1½" O.D. galvanized tubular legs with adjustable bullet feet.



#CWS4-18R cocktail workstation

## Options / Accessories

- Stainless steel leg kits

**EAGLE GROUP**  
100 Industrial Boulevard, Clayton, DE 19938-8903 USA  
Phone: 302-653-3000 • Fax: 302-653-2065  
www.eaglegrp.com

**Foodservice Division: Phone 800-441-8440**  
**MHC/Retail Display Divisions: Phone 800-637-5100**

For custom configuration or fabrication needs, contact our **SpecFAB® Division**.  
Phone: 302-653-3000 • Fax: 302-653-3091 • e-mail: quotes@eaglegrp.com

Item No.: \_\_\_\_\_  
Project No.: \_\_\_\_\_  
S.I.S. No.: \_\_\_\_\_

# 1800 Series Cocktail Workstations

## MODELS:

- CWS4-18R
- CWS4-18L
- CWS5-18R
- CWS5-18L
- CWS4-18R-7
- CWS4-18L-7
- CWS5-18R-7
- CWS5-18L-7

## Design and Construction Features

- Bullnose front edge.
- Units are modular, providing for custom configurations using standard components.
- Type 304 stainless steel construction.
- Fabricated ice bins are available in 70 lb. (32 kg.) ice capacity. Ice bins are 8" (203mm) deep.
- Ice bin can be located either on left or right.
- 24" (610mm) stainless steel speed rail.
- End panels are galvanized steel.
- Highly polished finish.
- 1½" (38mm) NPT drain with 1½" x 4" (38 x 102mm) tailpiece.
- Body is all-welded construction.



**AUTOQUOTES**



EG40.03 Rev. 02/13

**Spec sheets available for viewing, printing or downloading from our online literature library at [www.eaglegrp.com](http://www.eaglegrp.com)**

Eagle Foodservice Equipment, Eagle MHC, SpecFAB®, and Retail Display are divisions of Eagle Group. ©2013 by the Eagle Group

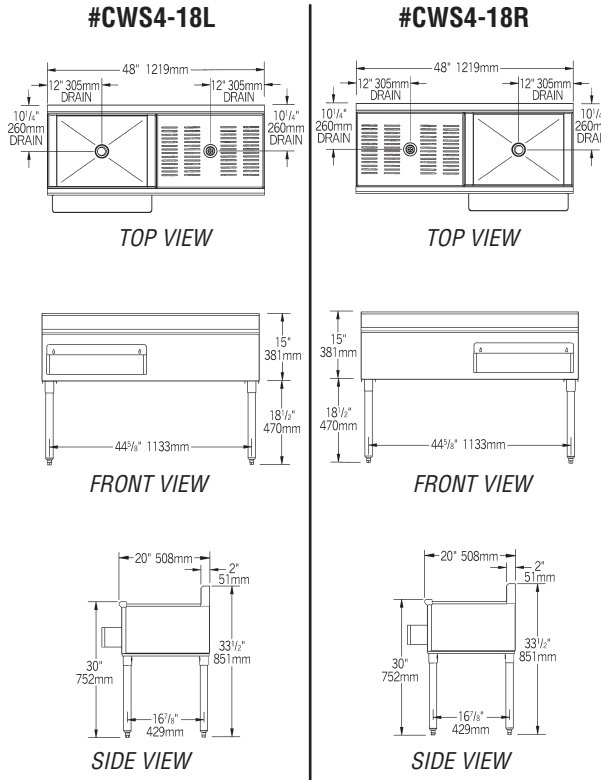


Profit from the Eagle Advantage®

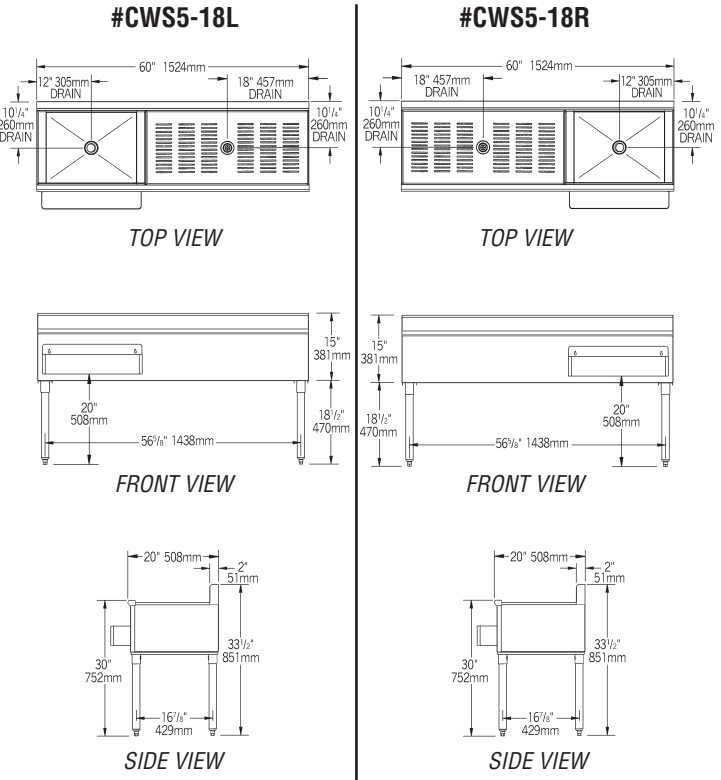
Item No.: \_\_\_\_\_  
 Project No.: \_\_\_\_\_  
 S.I.S. No.: \_\_\_\_\_

# 1800 Series Cocktail Workstations

## 4' (1219mm) Models



## 5' (1524mm) Models



model #	width		length		weight	
	in.	mm	in.	mm	lbs.	kg
<b>CWS4-18R</b>	20"	508	48"	1219	63	28.6
<b>CWS4-18L</b>	20"	508	48"	1219	63	28.6
<b>UNITS WITH COLD PLATE</b>						
<b>CWS4-18R-7</b>	20"	508	48"	1219	93	42.2
<b>CWS4-18L-7</b>	20"	508	48"	1219	93	42.2

model #	width		length		weight	
	in.	mm	in.	mm	lbs.	kg
<b>CWS5-18R</b>	20"	508	60"	1524	73	33.1
<b>CWS5-18L</b>	20"	508	60"	1524	73	33.1
<b>UNITS WITH COLD PLATE</b>						
<b>CWS5-18R-7</b>	20"	508	60"	1524	103	46.3
<b>CWS5-18L-7</b>	20"	508	60"	1524	103	46.3

### Optional Stainless Steel Leg Kits

add suffix #	description
<b>-SL</b>	stainless steel leg assemblies
<b>-SLF</b>	stainless steel leg assemblies & stainless steel feet
<b>-SLG</b>	stainless steel leg assemblies & stainless steel gussets
<b>-SLGF</b>	stainless steel leg assemblies, stainless steel feet & gussets

**EAGLE GROUP**  
 100 Industrial Boulevard, Clayton, DE 19938-8903 USA  
 Phone: 302-653-3000 • Fax: 302-653-2065  
 www.eaglegrp.com

Foodservice Division: Phone 800-441-8440  
 MHC/Retail Display Divisions: Phone 800-637-5100

Printed in U.S.A.  
 ©2013 by Eagle Group  
 Rev. 02/13

Spec sheets available for viewing, printing or downloading from our online literature library at [www.eaglegrp.com](http://www.eaglegrp.com)

Although every attempt has been made to ensure the accuracy of the information provided, we cannot be held responsible for typographical or printing errors. Information and specifications are subject to change without notice. Please confirm at time of order.