



Profit from the Eagle Advantage®

Specification Sheet

Short Form Specifications

Eagle Soiled Dish Table with Landing Shelf, model _____ . Top to be 16/430, 16/304, or 14/304 stainless steel with all seams welded, ground smooth, and polished. Front and ends to have a 3"-high upturn with a 1½" diameter rolled edge. Stainless steel landing shelf to be 12" wide x 60" long. Backsplash is 8" high. 20½" opening for dishwasher, 20" x 20" x 5" deep stainless steel prerinse sink with basket drain, hole for deck mounted prerinse spray, and rubber scrap block provided. Legs to be 1½" O.D. galvanized tubing with 1" diameter crossbracing and adjustable bullet feet (14/304 models come standard with stainless steel hat channels welded to underside of table, stainless steel crossbraced legs and adjustable metal feet).



left hand model shown
with optional deck-mount prerinse unit
(dishwasher not included)

Options / Accessories *

- | | |
|--|---|
| <input type="checkbox"/> Undershelf | <input type="checkbox"/> Scrap basket |
| <input type="checkbox"/> Stainless steel legs | <input type="checkbox"/> Rack runner |
| <input type="checkbox"/> Stainless steel gussets | <input type="checkbox"/> Prerinse spray |
| <input type="checkbox"/> Stainless steel feet | <input type="checkbox"/> Preattached double rack |
| <input type="checkbox"/> Disposal package | <input type="checkbox"/> Preattached double-sided sorting shelf |
| <input type="checkbox"/> Rack-Shelf | |

* See Spec Sheets EG50.07A and EG50.07B for full line of options and accessories.

EAGLE GROUP

100 Industrial Boulevard, Clayton, DE 19938-8903 USA
 Phone: 302-653-3000 • 800-441-8440 • Fax: 302-653-2065
www.eaglegrp.com
www.eaglegrpnews.com
www.eaglemhc.com

For custom configuration or fabrication needs, contact our **SpecFAB® Division**.
 Phone: 302-653-3000 • Fax: 302-653-2065 • e-mail: quotes@eaglegrp.com

Item No.: _____
 Project No.: _____
 S.I.S. No.: _____

Soiled Dishtables with Landing Shelf

MODELS:

- | | | |
|--|--|---|
| <input type="checkbox"/> SDTLL-66-16/4 | <input type="checkbox"/> SDTLL-78-14/3 | <input type="checkbox"/> SDTLR-96-16/3 |
| <input type="checkbox"/> SDTLL-66-16/3 | <input type="checkbox"/> SDTLR-78-16/4 | <input type="checkbox"/> SDTLR-96-14/3 |
| <input type="checkbox"/> SDTLL-66-14/3 | <input type="checkbox"/> SDTLR-78-16/3 | <input type="checkbox"/> SDTLL-108-16/4 |
| <input type="checkbox"/> SDTLR-66-16/4 | <input type="checkbox"/> SDTLR-78-14/3 | <input type="checkbox"/> SDTLL-108-16/3 |
| <input type="checkbox"/> SDTLR-66-16/3 | <input type="checkbox"/> SDTLL-84-16/4 | <input type="checkbox"/> SDTLL-108-14/3 |
| <input type="checkbox"/> SDTLR-66-14/3 | <input type="checkbox"/> SDTLL-84-16/3 | <input type="checkbox"/> SDTLR-108-16/4 |
| <input type="checkbox"/> SDTLL-72-16/4 | <input type="checkbox"/> SDTLL-84-14/3 | <input type="checkbox"/> SDTLR-108-16/3 |
| <input type="checkbox"/> SDTLL-72-16/3 | <input type="checkbox"/> SDTLR-84-16/4 | <input type="checkbox"/> SDTLR-108-14/3 |
| <input type="checkbox"/> SDTLL-72-14/3 | <input type="checkbox"/> SDTLR-84-16/3 | <input type="checkbox"/> SDTLL-120-16/4 |
| <input type="checkbox"/> SDTLR-72-16/4 | <input type="checkbox"/> SDTLR-84-14/3 | <input type="checkbox"/> SDTLL-120-16/3 |
| <input type="checkbox"/> SDTLR-72-16/3 | <input type="checkbox"/> SDTLL-96-16/4 | <input type="checkbox"/> SDTLL-120-14/3 |
| <input type="checkbox"/> SDTLR-72-14/3 | <input type="checkbox"/> SDTLL-96-16/3 | <input type="checkbox"/> SDTLR-120-16/4 |
| <input type="checkbox"/> SDTLL-78-16/4 | <input type="checkbox"/> SDTLL-96-14/3 | <input type="checkbox"/> SDTLR-120-16/3 |
| <input type="checkbox"/> SDTLL-78-16/3 | <input type="checkbox"/> SDTLR-96-16/4 | <input type="checkbox"/> SDTLR-120-14/3 |

Design and Construction Features

- 14 or 16 gauge stainless steel.
- 12"-wide by 60"-long (305 x 1524mm) stainless steel landing shelf.
- 30" (762mm)-wide table furnished in seven lengths.
- 1½" (38mm) raised rolled rim on front and end.
- 1½" (41mm)-diameter galvanized legs with welded 1" (25mm)-diameter crossbracing.
- 8" (203mm)-high backsplash.
- Adjustable non-marking bullet feet with up to 1" (25mm) adjustment.
- All Spec-Master® 14 gauge type 304 dishtables come standard with stainless steel crossbraced legs and gussets, complete with adjustable metal feet.
- Soiled Dishtable Kit available. Includes scrap basket, rack slide, and T&S prerinse faucet #313295. To order, add suffix "-SRP" (example: SDTLR-60-16/3-SRP).

Certifications / Approvals



AutoQuotes



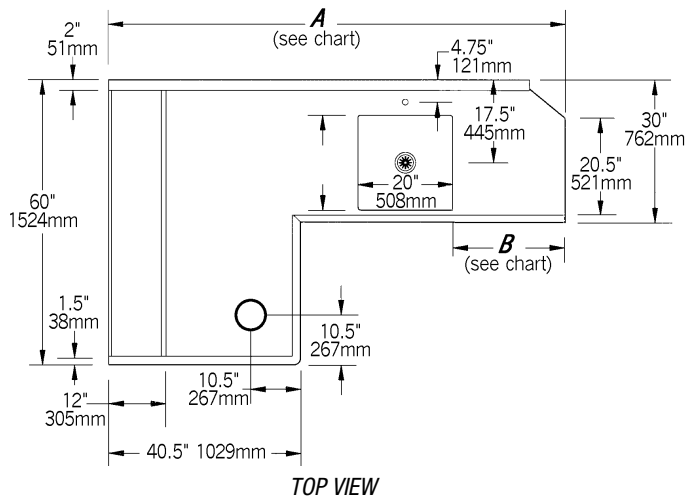
EG50.10 Rev. 11/22

Spec sheets available for viewing, printing or downloading from our online literature library at our websites

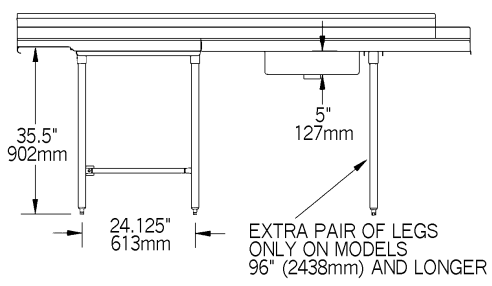


Item No.: _____
 Project No.: _____
 S.I.S. No.: _____

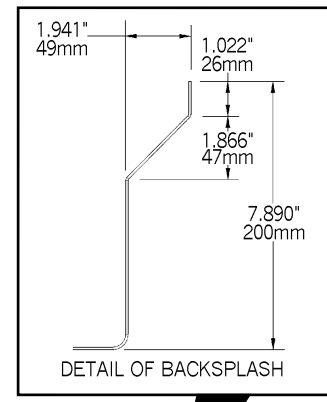
Soiled Dishtables with Landing Shelf



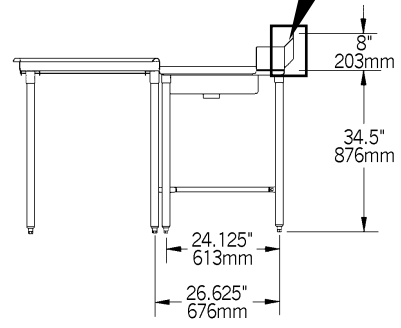
TOP VIEW



FRONT VIEW



DETAIL OF BACKSPASH



SIDE VIEW

left-hand model shown

16 gauge type 430 model #	16 gauge type 304 model #	Spec-Master® 14 gauge type 304 model #	description	Dimensions				weight	
				A in.	mm	B in.	mm	lbs.	kg
SDTLL-66-16/4	SDTLL-66-16/3	SDTLL-66-14/3	left-hand model	66"	1676	7"	178	165	74.8
SDTLR-66-16/4	SDTLR-66-16/3	SDTLR-66-14/3	right-hand model	66"	1676	7"	178	165	74.8
SDTLL-72-16/4	SDTLL-72-16/3	SDTLL-72-14/3	left-hand model	72"	1829	13"	330	175	79.4
SDTLR-72-16/4	SDTLR-72-16/3	SDTLR-72-14/3	right-hand model	72"	1829	13"	330	175	79.4
SDTLL-78-16/4	SDTLL-78-16/3	SDTLL-78-14/3	left-hand model	78"	1981	19"	483	185	83.9
SDTLR-78-16/4	SDTLR-78-16/3	SDTLR-78-14/3	right-hand model	78"	1981	19"	483	185	83.9
SDTLL-84-16/4	SDTLL-84-16/3	SDTLL-84-14/3	left-hand model	84"	2134	25"	635	195	88.5
SDTLR-84-16/4	SDTLR-84-16/3	SDTLR-84-14/3	right-hand model	84"	2134	25"	635	195	88.5
SDTLL-96-16/4	SDTLL-96-16/3	SDTLL-96-14/3	left-hand model	96"	2438	37"	940	210	95.3
SDTLR-96-16/4	SDTLR-96-16/3	SDTLR-96-14/3	right-hand model	96"	2438	37"	940	210	95.3
SDTLL-108-16/4	SDTLL-108-16/3	SDTLL-108-14/3	left-hand model	108"	2743	49"	1245	335	152.0
SDTLR-108-16/4	SDTLR-108-16/3	SDTLR-108-14/3	right-hand model	108"	2743	49"	1245	335	152.0
SDTLL-120-16/4	SDTLL-120-16/3	SDTLL-120-14/3	left-hand model	120"	3048	61"	1549	375	170.1
SDTLR-120-16/4	SDTLR-120-16/3	SDTLR-120-14/3	right-hand model	120"	3048	61"	1549	375	170.1

EAGLE GROUP
 100 Industrial Boulevard, Clayton, DE 19938-8903 USA
 Phone: 302-653-3000 or 800-441-8440 • Fax: 302-653-2065
 www.eaglegrp.com • www.eaglegrpnews.com • www.eaglehmc.com

Printed in U.S.A.
 ©2022 by Eagle Group
 Rev. 11/22

Spec sheets available for viewing, printing or downloading from our online literature library at our websites

Although every attempt has been made to ensure the accuracy of the information provided, we cannot be held responsible for typographical or printing errors. Information and specifications are subject to change without notice. Please confirm at time of order.