



Profit from the Eagle Advantage®

# Specification Sheet

## Short Form Specifications

Eagle Panco® Universal Angle Rack, aluminum model \_\_\_\_\_ . Constructed of extruded aluminum with angular keyhole slots 2½" apart to accept slides. 1" x 2" reinforcing aluminum channel at middle of height, welded between uprights for added rigidity. Slides are extruded aluminum angle with shoulder rivet. Furnished with 5"-diameter casters. Shipped assembled.

Eagle Panco® Universal Angle Rack, stainless steel model \_\_\_\_\_ . Constructed with 16 gauge corner uprights with angular keyhole slots 2½" apart to accept slides. 14 gauge stainless steel top and bottom welded to uprights, with 14 gauge stainless steel 1" x 2" reinforcing channel welded between uprights for added rigidity. Slides are extruded aluminum with shoulder rivet. Furnished with 5" diameter casters. Shipped assembled.



model #UAR-64-A universal angle rack

### Options / Accessories

- Casters with locking brakes
- Perimeter bumper
- Extra universal angle slides
- Pan stops
- Vertical corner bumpers

**EAGLE GROUP**  
100 Industrial Boulevard, Clayton, DE 19938-8903 USA  
Phone: 302-653-3000 • Fax: 302-653-2065  
www.eaglegrp.com

**Foodservice Division: Phone 800-441-8440**  
**MHC/Retail Display Divisions: Phone 800-637-5100**

For custom configuration or fabrication needs, contact our **SpecFAB® Division**.  
Phone: 302-653-3000 • Fax: 302-653-3091 • e-mail: specfab@eaglegrp.com

Item No.:	_____
Project No.:	_____
S.I.S. No.:	_____

## Panco® Universal Angle Racks

### MODELS:

- UAR-64-A
- UAR-64-SR
- UAR-70-A
- UAR-70-SR

### Features on aluminum models

- Corner uprights: 0.100" (3mm) extruded aluminum with angular keyhole slots 2½" (64mm) apart to accept slides.
- Top and bottom: 0.090" (2mm) aluminum, welded to corner uprights.
- Reinforcing channel: 1" x 2" (25 x 51mm) aluminum, at middle of height, welded between uprights for added rigidity.
- Slides: Extruded aluminum universal angle with shoulder rivet. Each pair will hold either one of the following:
  - one 18" x 26" (457 x 660mm) tray or pan;
  - one 15" x 20" (381 x 508mm) tray;
  - one 20" x 20" (508 x 508mm) cup or glass rack;
  - two 12" x 20" (305 x 508mm) pans;
  - two 14" x 18" (357 x 457mm) bussing boxes;
  - two 14" x 18" (357 x 457mm) pans (samples required).
 Slides are adjustable on 2½" (64mm) centers.
- Casters: 5" (127mm)-diameter NSF-approved, non-marking rubber tired wheels on swivel plate casters.
- Shipped assembled.

### Features on stainless steel models\*

- Corner uprights: 16 gauge stainless formed channeled shape, with angular keyhole slots 2½" (64mm) apart to accept slides.
- Top and bottom: 14 gauge stainless steel, welded to corner uprights.
- Reinforcing channel: 1" x 2" (25 x 51mm) 14 gauge stainless steel, at middle of height, welded between uprights for added rigidity.
- Slides\*: Same as on the aluminum models (see above).
- Casters: 5" (127mm)-diameter NSF-approved, non-marking rubber tired wheels on swivel plate casters.
- Shipped assembled.

*\* All stainless steel units are supplied with standard extruded aluminum universal slides.*

### Certifications / Approvals



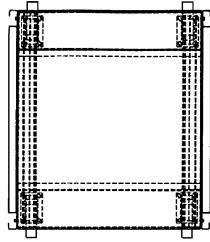
**Spec sheets available for viewing, printing or downloading from our online literature library at [www.eaglegrp.com](http://www.eaglegrp.com)**

*Eagle Foodservice Equipment, Eagle MHC, SpecFAB®, and Retail Display are divisions of Eagle Group. ©2008 by the Eagle Group*

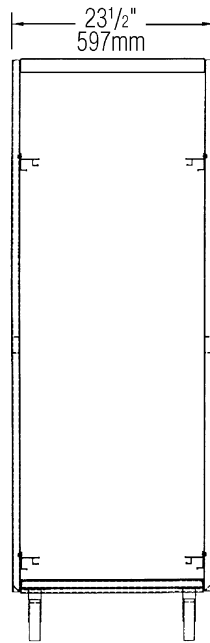


Item No.: \_\_\_\_\_  
 Project No.: \_\_\_\_\_  
 S.I.S. No.: \_\_\_\_\_

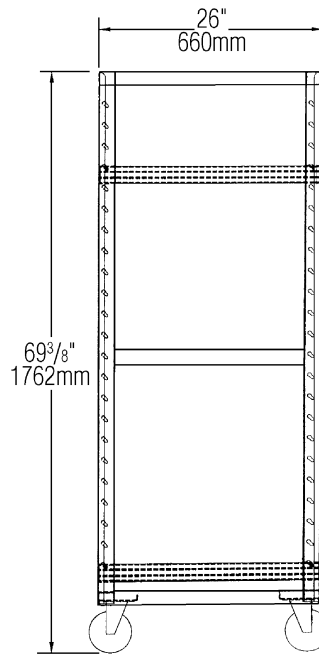
# Panco® Universal Angle Racks



TOP VIEW



FRONT VIEW



SIDE VIEW

(model #UAR-70-A shown)

Aluminum Racks			Stainless Steel Racks			overall dimensions						sliding space		number of slides
model #	weight		model #	weight		width		depth		height				
	lbs.	kg		lbs.	kg	in.	mm	in.	mm	in.	mm	in.	mm	
UAR-64-A	127	57.6	UAR-64-SR	140	63.5	23 1/2"	597	26"	660	64 3/8"	1635	2 1/2"	64	11
UAR-70-A	135	61.2	UAR-70-SR	147	66.7	23 1/2"	597	26"	660	69 3/8"	1762	2 1/2"	64	13

**EAGLE GROUP**  
 100 Industrial Boulevard, Clayton, DE 19938-8903 USA  
 Phone: 302-653-3000 • Fax: 302-653-2065  
 www.eaglegrp.com

Foodservice Division: Phone 800-441-8440  
 MHC/Retail Display Divisions: Phone 800-637-5100

Printed in U.S.A.  
 ©2008 by Eagle Group  
 Rev. 08/08

Spec sheets available for viewing, printing or downloading from our online literature library at [www.eaglegrp.com](http://www.eaglegrp.com)

Although every attempt has been made to ensure the accuracy of the information provided, we cannot be held responsible for typographical or printing errors. Information and specifications are subject to change without notice. Please confirm at time of order.