



Profit from the Eagle Advantage®

Specification Sheet

Short Form Specifications

Eagle Panco® Oven Rack, model _____. All-welded aluminum construction, with 1" square tubular frame and supports. 1 1/16" x 1 1/8" x 1/16"-thick tray slides with two raised beads to minimize friction. Slide spacing to be 6", 5", 4", 3", or 2", to accommodate (10, 12, 15, 20, or 30) 18" x 26" sheet pans. Furnished with 4"-diameter casters. Unit to be front load or side load. Shipped assembled.



model #ORS-2615-4
side-load oven rack

Options / Accessories

- Oven plate casters locking brakes (#606588)
- Pan stops
- Track pin

EAGLE GROUP

100 Industrial Boulevard, Clayton, DE 19938-8903 USA

Phone: 302-653-3000 • Fax: 302-653-2065

www.eaglegrp.com

Foodservice Division: Phone 800-441-8440

MHC/Retail Display Divisions: Phone 800-637-5100

For custom configuration or fabrication needs, contact our **SpecFAB®** Division.

Phone: 302-653-3000 • Fax: 302-653-3091 • e-mail: specfab@eaglegrp.com

Item No.:	_____
Project No.:	_____
S.I.S. No.:	_____

Panco® Oven Racks

MODELS:

- | | |
|-------------------------------------|-------------------------------------|
| <input type="checkbox"/> ORF-1810-6 | <input type="checkbox"/> ORS-2610-6 |
| <input type="checkbox"/> ORF-1812-5 | <input type="checkbox"/> ORS-2612-5 |
| <input type="checkbox"/> ORF-1815-4 | <input type="checkbox"/> ORS-2615-4 |
| <input type="checkbox"/> ORF-1820-3 | <input type="checkbox"/> ORS-2620-3 |
| <input type="checkbox"/> ORF-1830-2 | <input type="checkbox"/> ORS-2630-2 |

Design and Construction Features

- Heavy duty welded aluminum construction.
- Frame and supports: 1" (25mm) square aluminum tubing.
- Tray slides: extruded aluminum angle 1 1/16" high x 1 1/8" wide x 1/16" thick (37 x 48 x 2mm) bearing surface, with two raised beads to minimize friction. Slides are riveted to frame.
- Casters: 4" (102mm)-diameter non-marking oven plate swivel casters up to 475° F.
- Front load and side load models available.
- Shipped assembled.



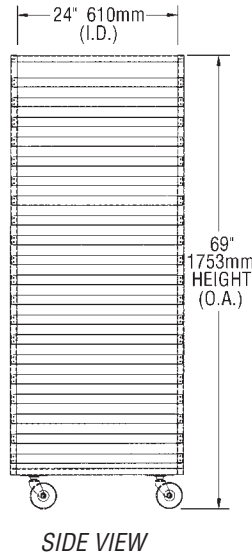
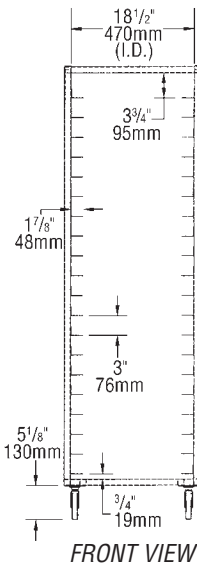
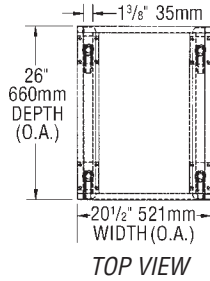


Profit from the Eagle Advantage®

Item No.: _____
 Project No.: _____
 S.I.S. No.: _____

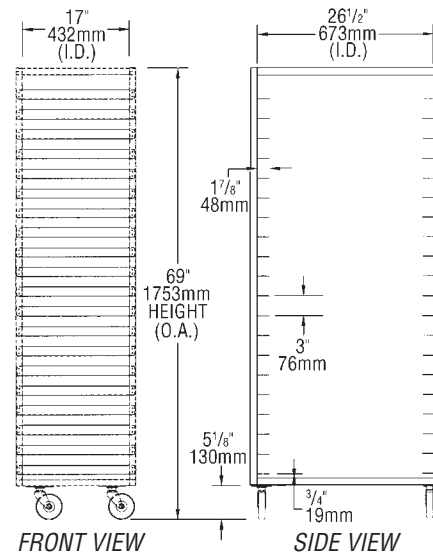
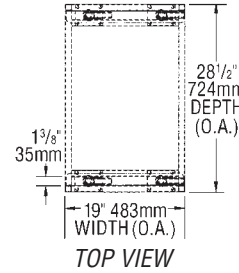
Panco® Oven Racks

Front load models



(ORF-1820-3 shown)

Side load models



(ORS-2620-3 shown)

model #	description	overall dimensions						sliding space		pan capacity	weight	
		width in.	width mm	depth in.	depth mm	height in.	height mm	in.	mm		lbs.	kg
ORF-1810-6	front load	20 1/2"	521	26"	660	69"	1753	6"	152	10	28	12.7
ORF-1812-5	front load	20 1/2"	521	26"	660	69"	1753	5"	127	12	29	13.2
ORF-1815-4	front load	20 1/2"	521	26"	660	69"	1753	4"	102	15	31	14.1
ORF-1820-3	front load	20 1/2"	521	26"	660	69"	1753	3"	76	20	33	15.0
ORF-1830-2	front load	20 1/2"	521	26"	660	69"	1753	2"	51	30	41	18.6
ORS-2610-6	side load	19"	483	28 1/2"	724	69"	1753	6"	152	10	28	12.7
ORS-2612-5	side load	19"	483	28 1/2"	724	69"	1753	5"	127	12	29	13.2
ORS-2615-4	side load	19"	483	28 1/2"	724	69"	1753	4"	102	15	31	14.1
ORS-2620-3	side load	19"	483	28 1/2"	724	69"	1753	3"	76	20	33	15.0
ORS-2630-2	side load	19"	483	28 1/2"	724	69"	1753	2"	51	30	37	16.8

EAGLE GROUP
 100 Industrial Boulevard, Clayton, DE 19938-8903 USA
 Phone: 302-653-3000 • Fax: 302-653-2065
 www.eaglegrp.com

Foodservice Division: Phone 800-441-8440
 MHC/Retail Display Divisions: Phone 800-637-5100

Printed in U.S.A.
 ©2009 by Eagle Group
 Rev. 08/09

Spec sheets available for viewing, printing or downloading from our online literature library at www.eaglegrp.com

Although every attempt has been made to ensure the accuracy of the information provided, we cannot be held responsible for typographical or printing errors. Information and specifications are subject to change without notice. Please confirm at time of order.