



Profit from the Eagle Advantage®

# Specification Sheet

## Short Form Specifications

Eagle Panco® Open Bus Box Cart, model OBC-3A. Constructed of 1" square tubular all-welded aluminum frame and supports. Side-to-side crossbracing with front-to-back lateral tubes welded in place. Shelves spaced 10" apart and support bins by the bottom. Furnished with 5"-diameter casters. Shipped assembled.

Item No.:	_____
Project No.:	_____
S.I.S. No.:	_____

## Panco® Open Bus Box Cart

### MODELS:

- OBC-3A
- BBT-5
- BBT-7



#OBC-3A open bus box cart

### Design and Construction Features

- Heavy duty all-aluminum welded construction.
- Frame and supports: 1" (25mm) square aluminum tubing. Crossbracing runs side-to-side and front-to-back throughout height of unit.
- Side-to-side crossbracing have front-to-back oval tube laterals welded in place. These "shelves" are spaced 10" (254mm) apart and support bins by the bottom, allowing for a variety of sizes.
- Casters: 5" (127mm)-diameter non-marking swivel stem casters with thermoplastic rubber tread.
- Shipped assembled.

### Options / Accessories

- Caster locks
- Rotary bumpers
- Perimeter bumper
- Vertical corner bumpers
- Pan stop
- Bus box tubs

### EAGLE GROUP

100 Industrial Boulevard, Clayton, DE 19938-8903 USA  
Phone: 302-653-3000 • Fax: 302-653-2065  
www.eaglegrp.com

Foodservice Division: Phone 800-441-8440

MHC/Retail Display Divisions: Phone 800-637-5100

For custom configuration or fabrication needs, contact our SpecFAB® Division.

Phone: 302-653-3000 • Fax: 302-653-3091 • e-mail: specfab@eaglegrp.com

### Certifications / Approvals



EG60.20 Rev. 08/08

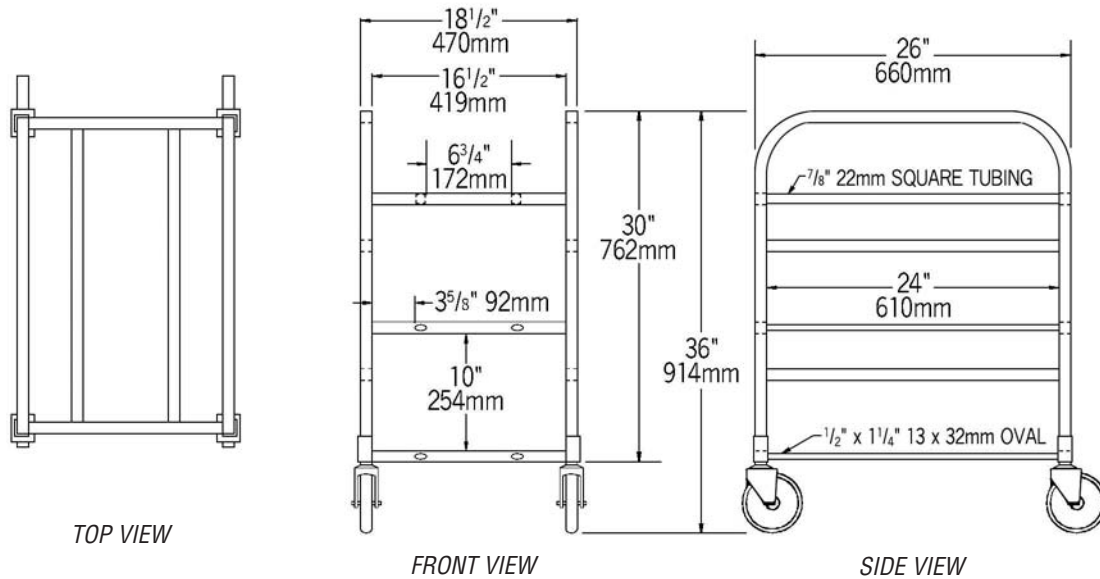
Spec sheets available for viewing, printing or downloading from our online literature library at [www.eaglegrp.com](http://www.eaglegrp.com)

Eagle Foodservice Equipment, Eagle MHC, SpecFAB®, and Retail Display are divisions of Eagle Group. ©2008 by the Eagle Group



Item No.: \_\_\_\_\_  
 Project No.: \_\_\_\_\_  
 S.I.S. No.: \_\_\_\_\_

# Panco® Open Bus Box Cart



model #	overall dimensions						sliding space		lug capacity	weight	
	width		depth		height		in.	mm		lbs.	kg
<b>OBC-3A</b>	18 1/2"	470	26"	660	36"	914	10"	254	3	26	11.8

## Bus Box Tubs

Made of high-density polyethylene.

model #	overall dimensions					
	width		depth		height	
<b>BBT-5</b>	21 1/4"	553	15 3/4"	400	5"	127
<b>BBT-7</b>	21 1/4"	553	15 3/4"	400	7"	178



bus box tubs

**EAGLE GROUP**  
 100 Industrial Boulevard, Clayton, DE 19938-8903 USA  
 Phone: 302-653-3000 • Fax: 302-653-2065  
 www.eaglegrp.com

Foodservice Division: Phone 800-441-8440  
 MHC/Retail Display Divisions: Phone 800-637-5100

Printed in U.S.A.  
 ©2008 by Eagle Group  
 Rev. 08/08

Spec sheets available for viewing, printing or downloading from our online literature library at [www.eaglegrp.com](http://www.eaglegrp.com)

Although every attempt has been made to ensure the accuracy of the information provided, we cannot be held responsible for typographical or printing errors. Information and specifications are subject to change without notice. Please confirm at time of order.