



Profit from the Eagle Advantage®

# Specification Sheet

## Short Form Specifications

Eagle Panco Combination Rack, model \_\_\_\_\_.  
Constructed of 1" square tubular aluminum frame and supports, with each frame and cross support junction joined with a two-piece aluminum gusset riveted to the frame. 1½" x 3¾" tray slides with beaded edge riveted to the frame. Slide spacing is 3" or 5" to accommodate a variety of sized trays and pans. Furnished with 5"-diameter casters. Unit shipped assembled.



model #OUR-1211-5  
combination rack

## Options / Accessories

- Casters with locking brakes
- Rotary donut bumpers
- Perimeter bumpers
- Vertical corner bumpers
- Pan stops

## EAGLE GROUP

100 Industrial Boulevard, Clayton, DE 19938-8903 USA  
Phone: 302-653-3000 • Fax: 302-653-2065  
www.eaglegrp.com

Foodservice Division: Phone 800-441-8440

MHC/Retail Display Divisions: Phone 800-637-5100

For custom configuration or fabrication needs, contact our **SpecFAB®** Division.

Phone: 302-653-3000 • Fax: 302-653-3091 • e-mail: specfab@eaglegrp.com

Item No.:	_____
Project No.:	_____
S.I.S. No.:	_____

# Panco® Combination Racks

## MODELS:

- OUR-1211-5
- OUR-1220-3

## Features on aluminum models

- Frame and supports: 1" (25mm) square aluminum tubing with .063" (2mm) wall.
- Gussets: each frame and cross support junction shall be joined with a two-piece, die-stamped 0.100" (3mm) thick aluminum gusset, riveted to the tubing frame and cross supports.
- Tray slides: 0.100" (3mm) aluminum formed angle 1½" height x 3¾" lip (38 x 87mm) with beaded edge, riveted to frame.
- Casters: 5" (127mm)-diameter, NSF-approved, non-marking rubber tired wheels on swivel stem plated casters.



EG60.04 Rev. 08/08

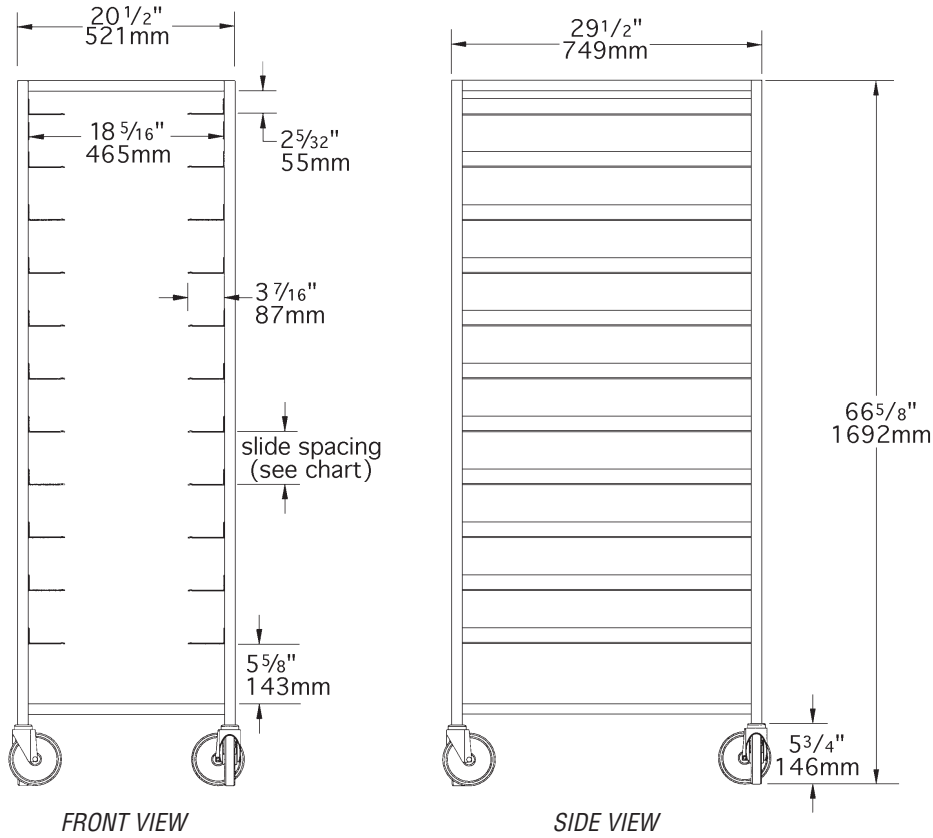
**Spec sheets available for viewing, printing or downloading from our online literature library at [www.eaglegrp.com](http://www.eaglegrp.com)**



Profit from the Eagle Advantage®

Item No.: \_\_\_\_\_  
 Project No.: \_\_\_\_\_  
 S.I.S. No.: \_\_\_\_\_

# Panco® Combination Racks



model #	overall dimensions			sliding space		weight		pan/tray capacity		
	width in. mm	depth in. mm	height in. mm	in.	mm	lbs.	kg	12" x 20" pan	18" x 26" tray	14" x 18" tray
OUR-1211-5	20 1/2" 521	29 1/2" 749	66 5/8" 1699	5"	127	70	31.8	11	11	22
OUR-1220-3	20 1/2" 521	29 1/2" 749	66 1/2" 1699	3"	76	75	34.0	18	18	36

**EAGLE GROUP**  
 100 Industrial Boulevard, Clayton, DE 19938-8903 USA  
 Phone: 302-653-3000 • Fax: 302-653-2065  
 www.eaglegrp.com

Foodservice Division: Phone 800-441-8440  
 MHC/Retail Display Divisions: Phone 800-637-5100

Printed in U.S.A.  
 ©2008 by Eagle Group

Rev. 08/08

Spec sheets available for viewing, printing or downloading from our online literature library at [www.eaglegrp.com](http://www.eaglegrp.com)

Although every attempt has been made to ensure the accuracy of the information provided, we cannot be held responsible for typographical or printing errors. Information and specifications are subject to change without notice. Please confirm at time of order.