



Profit from the Eagle Advantage®

Specification Sheet

Short Form Specifications

Eagle Panco® Double-Compartment Rack, aluminum model _____. Constructed of 1" square tubular aluminum frame and supports. Bottom frame to be 1" x 2" all-welded aluminum rectangular tubing. 1 1/8" x 1 1/8" extruded aluminum angle tray slides. Slide spacing is 5", 3", or 2 1/4" to accommodate (22, 36, or 48) 18" x 26" sheet pans. Furnished with 5"-diameter casters. Shipped assembled.

Eagle Panco® Double-Compartment Rack, stainless steel model _____. Constructed of all-welded heavy gauge stainless steel tubing. Tray slides to be 16 gauge stainless steel angle 1 1/2" x 1 1/4" with raised bead edge. Slide assembly removable without the use of tools. Slide spacing is 5", 3", 2 1/4" to accommodate (22, 36, or 48) 18" x 26" sheet pans. Furnished with 5"-diameter casters. Shipped assembled.



double-compartment rack model #OUR-1836-3

Options / Accessories

- Casters with locking brakes
- Vertical corner bumpers
- Rotary donut bumpers
- Pan stops for Double Racks
- Perimeter bumpers

EAGLE GROUP
100 Industrial Boulevard, Clayton, DE 19938-8903 USA
Phone: 302-653-3000 • Fax: 302-653-2065
www.eaglegrp.com

Foodservice Division: Phone 800-441-8440
MHC/Retail Display Divisions: Phone 800-637-5100

For custom configuration or fabrication needs, contact our **SpecFAB® Division**.
Phone: 302-653-3000 • Fax: 302-653-3091 • e-mail: specfab@eaglegrp.com

Item No.:	_____
Project No.:	_____
S.I.S. No.:	_____

Panco® Double-Compartment Racks

MODELS:

- OUR-1822-5
- OUR-1836-3
- OUR-1848-2
- OUR-1822-5-SR
- OUR-1836-3-SR
- OUR-1848-2-SR

Features on Aluminum Double-Compartment Racks

- Upper frame and cross supports: 1" (25mm) square aluminum tubing with 0.063" wall.
- Bottom frame: 1" x 2" (25 x 51mm) thick aluminum rectangular tubing, all welded construction.
- Tray slides: Extruded aluminum angle 1 1/8" high x 1 1/8" x 0.068" thick (189 x 48 x 2mm). Bearing surface with raised beads providing a minimum of friction. Slides are riveted to frame.
- Casters: 5" (127mm)-diameter NSF-approved, non-marking rubber tired wheels on swivel stem casters.

Features on Stainless Steel Double-Compartment Racks

- Frame and cross supports: 1" (25mm) square with heavy gauge wall stainless tubing, all welded construction.
- Tray slides: 16 gauge stainless steel formed angle 1 1/2" high x 1 1/4" (38 x 45mm) lip with a raised bead edge, riveted to 1" x 1" (25 x 25mm) stainless steel vertical tube. Slide assembly removable without the use of tools.
- Casters: 5" (127mm)-diameter NSF-approved, non-marking rubber tired wheels on swivel stem casters.

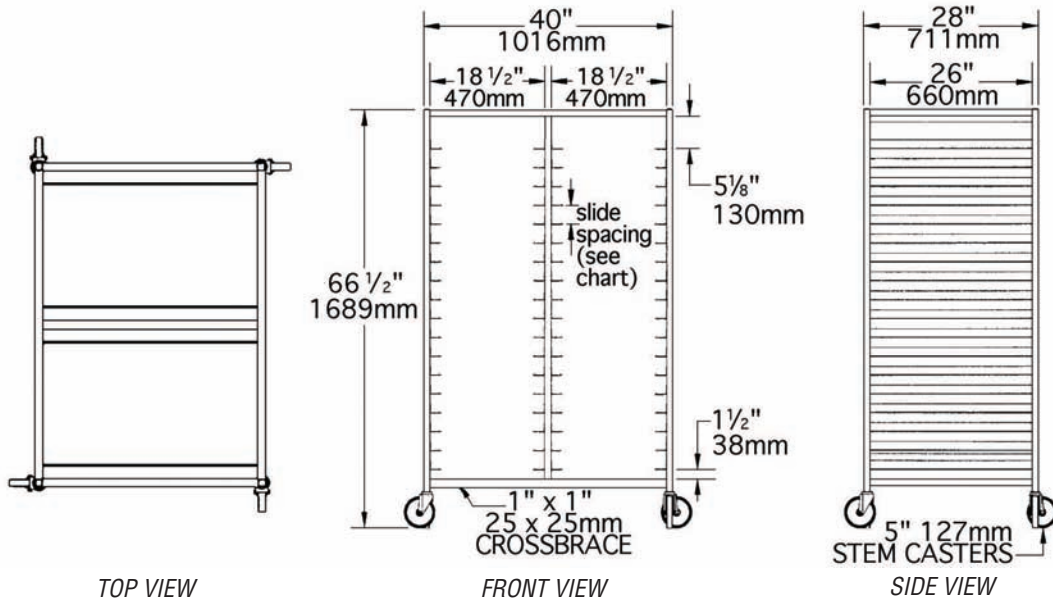


Spec sheets available for viewing, printing or downloading from our online literature library at www.eaglegrp.com



Item No.: _____
 Project No.: _____
 S.I.S. No.: _____

Panco® Double-Compartment Racks



(model #OUR-1836-3 shown)

Aluminum Racks

model #	overall dimensions						sliding space		pan capacity	weight	
	width in.	width mm	depth in.	depth mm	height in.	height mm	in.	mm		lbs.	kg
OUR-1822-5	40"	1016	28"	711	66 1/2"	1689	5"	127	22	135	61.2
OUR-1836-3	40"	1016	28"	711	66 1/2"	1689	3"	76	36	150	68.0
OUR-1848-2	40"	1016	28"	711	66 1/2"	1689	2 1/4"	57	48	176	79.8

Stainless Steel Racks

model #	overall dimensions						sliding space		pan capacity	weight	
	width in.	width mm	depth in.	depth mm	height in.	height mm	in.	mm		lbs.	kg
OUR-1822-5-SR	40"	1016	28"	711	66 1/2"	1689	5"	127	22	270	122.5
OUR-1836-3-SR	40"	1016	28"	711	66 1/2"	1689	3"	76	36	300	136.1
OUR-1848-2-SR	40"	1016	28"	711	66 1/2"	1689	2 1/4"	57	48	350	158.8

EAGLE GROUP
 100 Industrial Boulevard, Clayton, DE 19938-8903 USA
 Phone: 302-653-3000 • Fax: 302-653-2065
 www.eaglegrp.com

Foodservice Division: Phone 800-441-8440
 MHC/Retail Display Divisions: Phone 800-637-5100

Printed in U.S.A.
 ©2008 by Eagle Group
 Rev. 08/08

Spec sheets available for viewing, printing or downloading from our online literature library at www.eaglegrp.com

Although every attempt has been made to ensure the accuracy of the information provided, we cannot be held responsible for typographical or printing errors. Information and specifications are subject to change without notice. Please confirm at time of order.