



Profit from the Eagle Advantage®

Specification Sheet

Short Form Specifications

Eagle Panco Aluminum Rack with Side Panels, standard model ORO-1840. Constructed of 1" square tubular aluminum frame and supports, with each frame and cross support junction joined with a two-piece aluminum gusset riveted to frame. 1½" slide spacing to accommodate (40) 18" x 26" full size sheet pans. Furnished with 5"-diameter casters. Unit shipped knocked down.

Eagle Panco Aluminum Rack with Side Panels, heavy duty model OR-1840. Constructed of 1" square tubular frame and support with 0.100"-thick aluminum die-formed top and bottom, with vinyl bumper around the top. Extruded aluminum corner posts riveted to top and bottom. ½"-diameter reinforcing rods. 1½" slide spacing to accommodate (40) 18" x 26" full size sheet pans. Furnished with 5"-diameter casters. Unit shipped assembled.



heavy duty rack with side panels

Options / Accessories

- Casters with locking brakes
- Rotary donut bumpers *
- Perimeter bumpers
- Vertical corner bumpers
- Pan stops

* for Heavy Duty #OR-1840 unit only

EAGLE GROUP

100 Industrial Boulevard, Clayton, DE 19938-8903 USA

Phone: 302-653-3000 • Fax: 302-653-2065

www.eaglegrp.com

Foodservice Division: Phone 800-441-8440

MHC/Retail Display Divisions: Phone 800-637-5100

For custom configuration or fabrication needs, contact our SpecFAB® Division.

Phone: 302-653-3000 • Fax: 302-653-3091 • e-mail: specfab@eaglegrp.com

Item No.:	_____
Project No.:	_____
S.I.S. No.:	_____

Panco® Aluminum Racks with Side Panels

MODELS:

ORO-1840

OR-1840

Features on model #ORO-1840 — Standard

- Frame and supports: 1" (25mm) square aluminum tubing with 0.063" (2mm) wall.
- Gussets: Each frame and cross support junction shall be joined with a two-piece die-stamped aluminum gusset, riveted to frame and cross supports.
- Tray slides: extruded aluminum sections with a ⅙" (14mm) lip and beaded edge, spaced 1½" (38mm).
- Casters: 5" (127mm)-diameter NSF-approved, non-marking rubber tired wheels on swivel stem plated casters with polymer tread.
- Shipped knocked down.

Features on model #OR-1840 — Heavy Duty

- Top and Bottom: 0.100" (3mm) thick aluminum die-formed with vinyl perimeter bumper around the top.
- Corner posts: Extruded aluminum channel shaped, riveted to top and bottom.
- Reinforcing rods: ½" (13mm) diameter aluminum rod between frames for added rigidity.
- Tray slides: extruded aluminum sections with a ⅙" (14mm) lip and beaded edge, spaced 1½" (38mm).
- Casters: 5" (127mm)-diameter NSF-approved, non-marking rubber tired wheels on swivel stem plated casters with polymer tread.
- Shipped assembled with solid top, bottom, and top vinyl perimeter bumper.

Certifications / Approvals



Spec sheets available for viewing, printing or downloading from our online literature library at www.eaglegrp.com

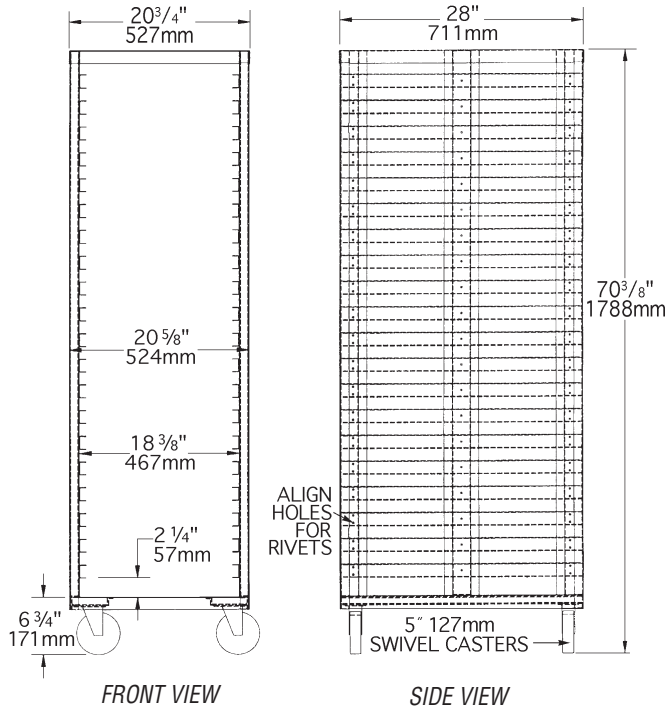
Eagle Foodservice Equipment, Eagle MHC, SpecFAB®, and Retail Display are divisions of Eagle Group. ©2008 by the Eagle Group



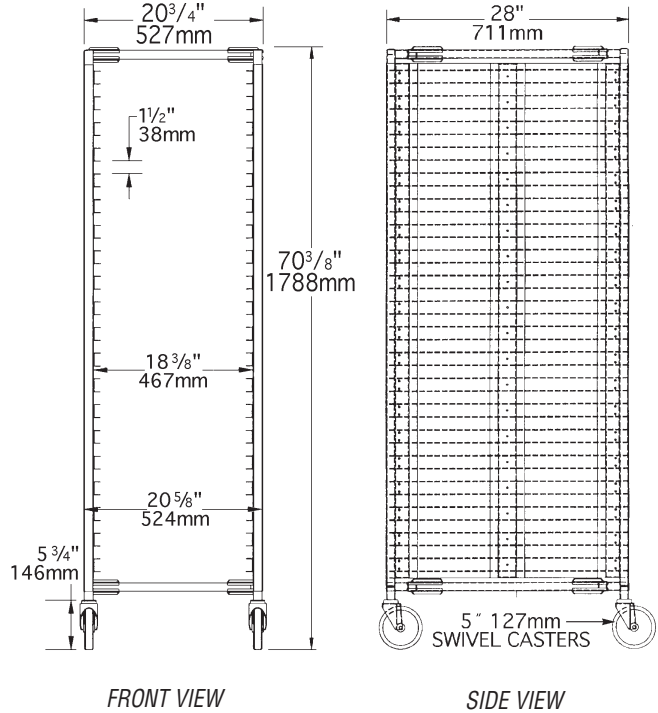
Item No.: _____
 Project No.: _____
 S.I.S. No.: _____

Panco® Aluminum Racks with Side Panels

#ORO-1840
—Standard Model



#OR-1840
—Heavy Duty Model



model #	overall dimensions				sliding space		weight		tray capacity		
	width in.	width mm	depth in.	depth mm	height in.	height mm	in.	mm		lbs.	kg
ORO-1840	20 3/4"	527	28"	711	70 3/8"	1788	1 1/2"	38	68	30.8	40
OR-1840	20 3/4"	527	28"	711	70 3/8"	1788	1 1/2"	38	88	39.9	40

EAGLE GROUP
 100 Industrial Boulevard, Clayton, DE 19938-8903 USA
 Phone: 302-653-3000 • Fax: 302-653-2065
 www.eaglegrp.com

Foodservice Division: Phone 800-441-8440
 MHC/Retail Display Divisions: Phone 800-637-5100

Printed in U.S.A.
 ©2008 by Eagle Group

Rev. 07/08

Spec sheets available for viewing, printing or downloading from our online literature library at www.eaglegrp.com

Although every attempt has been made to ensure the accuracy of the information provided, we cannot be held responsible for typographical or printing errors. Information and specifications are subject to change without notice. Please confirm at time of order.