



Profit from the Eagle Advantage®

# Specification Sheet

## Short Form Specifications

Eagle Panco® Donut Rack, model ODR-2320-3. All-welded aluminum construction with 1" square tubular frame and supports, with six cross supports. 1 1/8" x 1 1/8" extruded aluminum angle tray slides with two raised beads to minimize friction. 3" slide spacing accommodates (20) 23" x 23" donut screens. Furnished with 5"-diameter casters. Shipped assembled.



donut rack  
model #ODR-2320-3

## Options / Accessories

- Casters with locking brakes
- Rotary bumpers
- Perimeter bumper
- Vertical corner bumpers
- Pan stop

## EAGLE GROUP

100 Industrial Boulevard, Clayton, DE 19938-8903 USA  
Phone: 302-653-3000 • Fax: 302-653-2065  
www.eaglegrp.com

Foodservice Division: Phone 800-441-8440

MHC/Retail Display Divisions: Phone 800-637-5100

For custom configuration or fabrication needs, contact our **SpecFAB®** Division.  
Phone: 302-653-3000 • Fax: 302-653-3091 • e-mail: specfab@eaglegrp.com

Item No.:	_____
Project No.:	_____
S.I.S. No.:	_____

## Panco® Donut Rack

### MODEL:

ODR-2320-3

### Design and Construction Features

- Heavy duty all-aluminum welded construction.
- Frame and supports: 1" (25mm) square aluminum tubing. Six cross supports.
- Tray slides: extruded aluminum angle 1 1/8" high x 1 1/8" wide x 1/8" thick (37 x 48 x 2mm) bearing surface with raised beads providing a minimum of friction. Slides are riveted to frame 3" (76mm) apart.
- Casters: 5" (127mm)-diameter non-marking swivel stem casters with polymer tread.
- Shipped assembled.

### Certifications / Approvals



EG60.22 Rev. 08/08

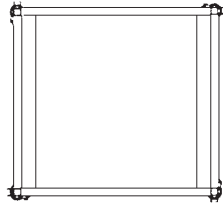
**Spec sheets available for viewing, printing or downloading from our online literature library at [www.eaglegrp.com](http://www.eaglegrp.com)**

Eagle Foodservice Equipment, Eagle MHC, SpecFAB®, and Retail Display are divisions of Eagle Group. ©2008 by the Eagle Group

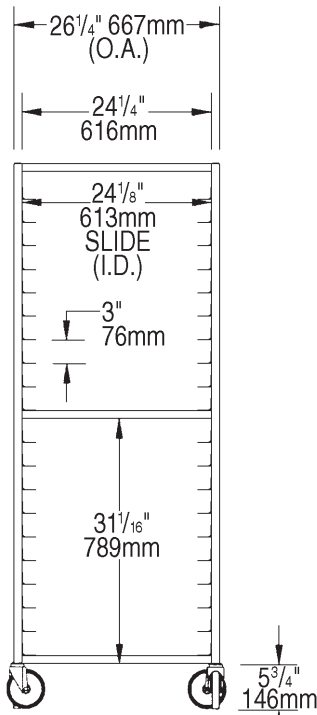


Item No.: \_\_\_\_\_  
 Project No.: \_\_\_\_\_  
 S.I.S. No.: \_\_\_\_\_

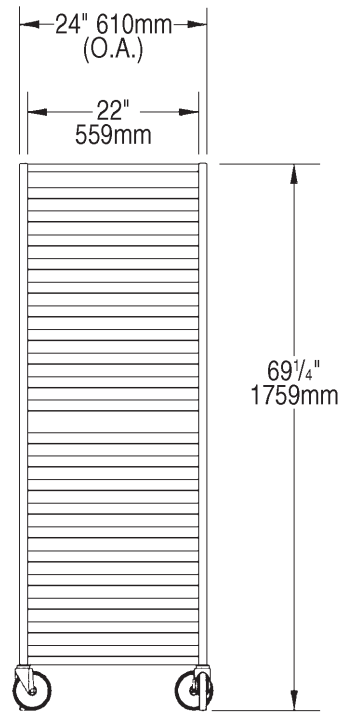
# Panco® Donut Rack



TOP VIEW



FRONT VIEW



SIDE VIEW

model #	overall dimensions						weight lbs. kg	sliding space		23" x 23" (584 x 584mm) donut screen cap.	
	width		depth		height			in.	mm		
	in.	mm	in.	mm	in.	mm					
ODR-2320-3	26 1/4"	667	24"	610	69 1/4"	1759	30	13.6	3"	76	20

**EAGLE GROUP**  
 100 Industrial Boulevard, Clayton, DE 19938-8903 USA  
 Phone: 302-653-3000 • Fax: 302-653-2065  
 www.eaglegrp.com

Foodservice Division: Phone 800-441-8440  
 MHC/Retail Display Divisions: Phone 800-637-5100

Printed in U.S.A.  
 ©2008 by Eagle Group  
 Rev. 08/08

Spec sheets available for viewing, printing or downloading from our online literature library at [www.eaglegrp.com](http://www.eaglegrp.com)

Although every attempt has been made to ensure the accuracy of the information provided, we cannot be held responsible for typographical or printing errors. Information and specifications are subject to change without notice. Please confirm at time of order.