



Profit from the Eagle Advantage®

# Specification Sheet

## Short Form Specifications

Eagle Q-LEVER® Utility Station, model #\_\_\_\_\_. Features two 76" uprights with legs & feet, X-brace assembly, removable stainless steel top with two drawers, removable wall grid, two wire overshelves and heavy duty dunnage shelf.

Eagle Q-LEVER® Manager's Station, model #\_\_\_\_\_. Features two 76" uprights with legs & feet, X-brace assembly, removable stainless steel top with two drawers, removable wall grid, power strip, overhead light, monitor arm, and bin holder.

Uprights feature Valu-Master® gray epoxy. Shelves offered with Valu-Master® gray or Valu-Gard® green epoxy finish.



Utility Station

Manager's Station (shown with accessories)

## Options / Accessories

- Supply Bins
- Storage Baskets
- Hooks

## EAGLE GROUP

100 Industrial Boulevard  
Clayton, DE 19938-8903 USA

Phone: 302-653-3000 • 800-441-8440

Fax: 302-653-2065

www.eaglegrp.com • www.eaglemhc.com

For custom configuration or fabrication needs, contact our SpecFAB® Division.

Phone: 302-653-3000 • Fax: 302-653-2065 • e-mail: quotes@eaglegrp.com

Item No.: \_\_\_\_\_  
 Project No.: \_\_\_\_\_  
 S.I.S. No.: \_\_\_\_\_

# Q-LEVER® Utility Stations and Manager's Stations

## MODELS:

- |                                      |                                      |
|--------------------------------------|--------------------------------------|
| <input type="checkbox"/> Q2436*76-US | <input type="checkbox"/> Q2436*76-MS |
| <input type="checkbox"/> Q2442*76-US | <input type="checkbox"/> Q3036*76-MS |
| <input type="checkbox"/> Q2448*76-US | <input type="checkbox"/> Q2442*76-MS |
| <input type="checkbox"/> Q2454*76-US | <input type="checkbox"/> Q2448*76-MS |
| <input type="checkbox"/> Q2460*76-US | <input type="checkbox"/> Q2454*76-MS |
| <input type="checkbox"/> Q3036*76-US | <input type="checkbox"/> Q2460*76-MS |
| <input type="checkbox"/> Q3042*76-US | <input type="checkbox"/> Q3042*76-MS |
| <input type="checkbox"/> Q3048*76-US | <input type="checkbox"/> Q3048*76-MS |
| <input type="checkbox"/> Q3054*76-US | <input type="checkbox"/> Q3054*76-MS |
| <input type="checkbox"/> Q3060*76-US | <input type="checkbox"/> Q3060*76-MS |

\* See charts on back page for complete model numbers.

## Design & Construction Features

- Utility Stations and Manager's Stations include uprights with legs and feet, X-brace assembly, 14 gauge type 304 stainless steel removable tabletop and removable wall grid with 3" x 3" (76 x 76mm) mesh.
- Utility Stations feature two wire overshelves with patented Quad-Truss® design (patent #5,930,803), and heavy duty bottom dunnage shelf.
- Manager's Stations feature power strip, overhead light, monitor arm, and bin holder.
- Monitor arm can be mounted on either side of upright, pivots left-to-right, accepts flat pattern monitors up to \_\_", and has a weight capacity of up to 14 lbs.
- Feet are prepunched to allow anchoring\* to floor.
- Choice of Valu-Master® gray or Valu-Gard® green epoxy finish on shelves.
- Valu-Master® gray epoxy finish on uprights.

\* Hardware to anchor unit to floor not included.

## Certifications / Approvals



AutoQuotes



EG01.62 Rev. 06/21

Spec sheets available for viewing, printing or downloading from our online literature library at [www.eaglegrp.com](http://www.eaglegrp.com)

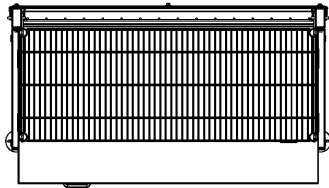
Eagle Foodservice Equipment, Eagle MHC, and SpecFAB® are divisions of Eagle Group. ©2021 by the Eagle Group



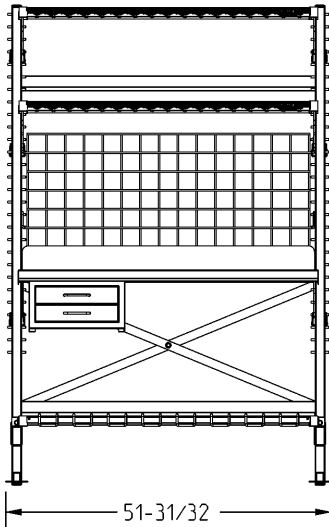
Item No.: \_\_\_\_\_  
 Project No.: \_\_\_\_\_  
 S.I.S. No.: \_\_\_\_\_

# Q-LEVER® Utility Stations and Manager's Stations

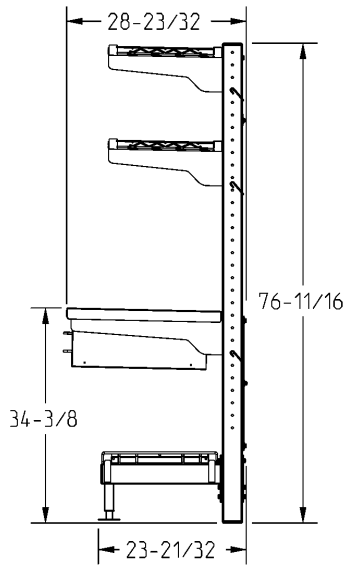
## Utility Stations



TOP VIEW

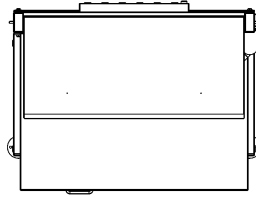


FRONT VIEW

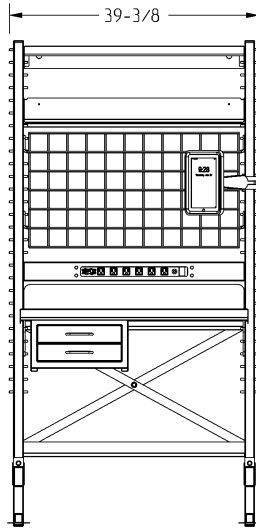


SIDE VIEW

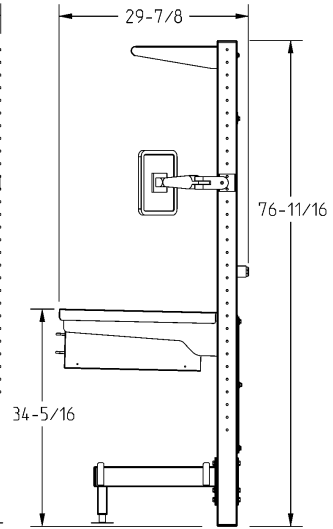
## Manager's Stations



TOP VIEW



FRONT VIEW



SIDE VIEW

### Utility Stations

...WITH 24" (610mm)  
-WIDE TABLETOP

...WITH 30" (762mm)  
-WIDE TABLETOP

shelf length	unit* length	in.	mm
36"	914	37 1/2"	953
42"	1067	43 1/2"	1105
48"	1219	49 1/2"	1257
54"	1372	55 1/2"	1410
60"	1524	61 1/2"	1562

Units with Valu-Master® gray shelves	Units with Valu-Gard® green shelves
Q2436V76-US	Q2436VG76-US
Q2442V76-US	Q2442VG76-US
Q2448V76-US	Q2448VG76-US
Q2454V76-US	Q2454VG76-US
Q2460V76-US	Q2460VG76-US

Units with Valu-Master® gray shelves	Units with Valu-Gard® green shelves
Q3036V76-US	Q3036VG76-US
Q3042V76-US	Q3042VG76-US
Q3048V76-US	Q3048VG76-US
Q3054V76-US	Q3054VG76-US
Q3060V76-US	Q3060VG76-US

### Manager's Stations

...WITH 24" (610mm)  
-WIDE TABLETOP

...WITH 30" (762mm)  
-WIDE TABLETOP

Units with Valu-Master® gray shelves	Units with Valu-Gard® green shelves
Q2436V76-MS	Q2436VG76-MS
Q2442V76-MS	Q2442VG76-MS
Q2448V76-MS	Q2448VG76-MS
Q2454V76-MS	Q2454VG76-MS
Q2460V76-MS	Q2460VG76-MS

Units with Valu-Master® gray shelves	Units with Valu-Gard® green shelves
Q3036V76-MS	Q3036VG76-MS
Q3042V76-MS	Q3042VG76-MS
Q3048V76-MS	Q3048VG76-MS
Q3054V76-MS	Q3054VG76-MS
Q3060V76-MS	Q3060VG76-MS

\* Dimensions are nominal.

## EAGLE GROUP

100 Industrial Boulevard, Clayton, DE 19938-8903 USA  
 Phone: 302-653-3000 or 800-441-8440 • Fax: 302-653-2065  
 www.eaglegrp.com • www.eaglehmc.com

Printed in U.S.A.  
 ©2021 by Eagle Group  
 Rev. 06/21

Spec sheets available for viewing, printing or downloading from our online literature library at [www.eaglegrp.com](http://www.eaglegrp.com)

Although every attempt has been made to ensure the accuracy of the information provided, we cannot be held responsible for typographical or printing errors. Information and specifications are subject to change without notice. Please confirm at time of order.