



Profit from the Eagle Advantage®

## Specification Sheet

### Short Form Specifications

Eagle Portable Hand Sink Supply Cart, model # \_\_\_\_\_.  
24" x 24" wire shelf with patented Quad-Truss® design (patent #5,390,803). 17½" x 7½" x 10" wire storage basket. 24" x 24" four-sided wire truss frame. All components are chrome plated. 5"-diameter casters, two with brake, with resilient tread and donut bumper. Push handle at 37" height. 39" overall height.



#PHS-SUPCRT-B

Item No.:	_____
Project No.:	_____
S.I.S. No.:	_____

## Portable Hand Sink Supply Carts

### MODELS:

- PHS-CLNTNK
- PHS-SUPCRT-A
- PHS-SUPCRT-B
- PHS-WSTTNK

### #PHS-SUPCRT-A

- 24" x 24" (610 x 610mm) chrome-plated wire shelf with patented Quad-Truss® design (patent #5,390,803).
- 17½"-long x 7½"-wide x 10"-high (441 x 191 x 254mm) chrome-plated wire storage basket ideal for standard paper towel rolls.
- 24" x 24" (610 x 610mm) chrome-plated four-sided wire truss frame.
- Accommodates two 5-gallon tanks and two 7-gallon tanks.
- 5" (127mm) casters—two with brake—with resilient tread and donut bumper.
- Push handle.
- 39" (950mm) overall height.

### #PHS-SUPCRT-B

- Same as #PHS-SUPCRT-A, plus...
- Includes two 5-gallon fresh water tanks and two 7-gallon waste water tanks.

### #PHS-CLNTNK

- 5-gallon fresh water tank.

### #PHS-WSTTNK

- 7-gallon waste water tank.

### EAGLE GROUP

100 Industrial Boulevard  
Clayton, DE 19938-8903 USA

Phone: 302-653-3000 • 800-441-8440

Fax: 302-653-2065

www.eaglegrp.com • www.eaglemh.com

For custom configuration or fabrication needs, contact our SpecFAB® Division.

Phone: 302-653-3000 • Fax: 302-653-2065 • e-mail: quotes@eaglegrp.com



EG20.06C Rev. 03/22

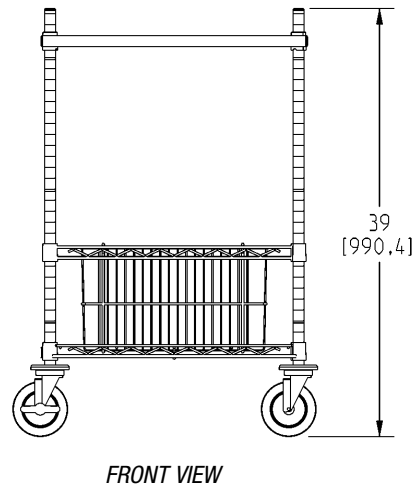
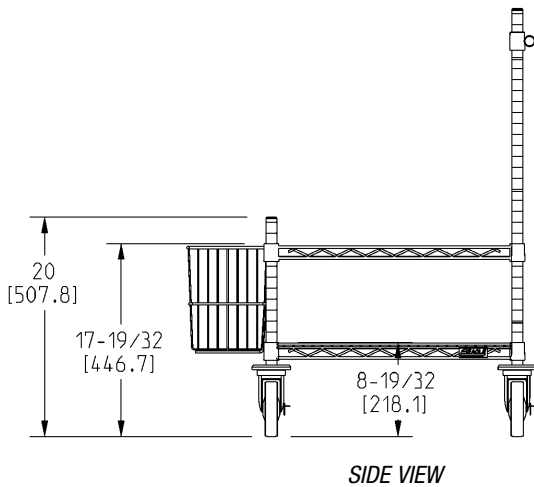
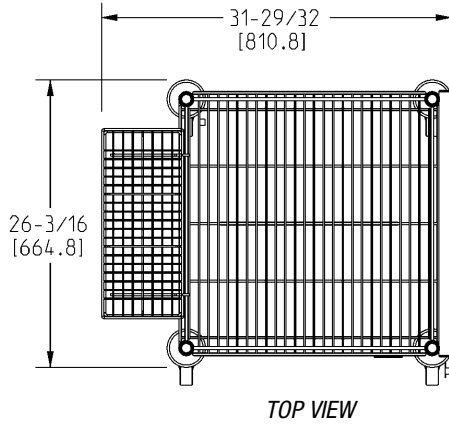
Spec sheets available for viewing, printing or downloading from our online literature library at [www.eaglegrp.com](http://www.eaglegrp.com)

Eagle Foodservice Equipment, Eagle MHC, SpecFAB®, and Retail Display are divisions of Eagle Group. ©2022 by the Eagle Group



Item No.: \_\_\_\_\_  
 Project No.: \_\_\_\_\_  
 S.I.S. No.: \_\_\_\_\_

## Eagle Portable Hand Sink Supply Carts



description	O.A. width		O.A. length		O.A. height		model #
	in.	mm	in.	mm	in.	mm	
supply cart without water tanks	31 <sup>15</sup> / <sub>16</sub> "	1811	26 <sup>3</sup> / <sub>16</sub> "	665	39"	990	<b>PHS-SUPCRT-A</b>
supply cart with water tanks	31 <sup>15</sup> / <sub>16</sub> "	1811	26 <sup>3</sup> / <sub>16</sub> "	665	39"	990	<b>PHS-SUPCRT-B</b>

### Water Tanks

description	O.A. width		O.A. length		O.A. height		model #
	in.	mm	in.	mm	in.	mm	
5-gallon fresh water tank, plastic	10"	254	10"	254	15"	381	<b>PHS-CLNTNK</b>
7-gallon waste water tank, plastic	10 <sup>5</sup> / <sub>8</sub> "	270	11"	279	19 <sup>1</sup> / <sub>2</sub> "	486	<b>PHS-WSTTNK</b>

**EAGLE GROUP**  
 100 Industrial Boulevard, Clayton, DE 19938-8903 USA  
 Phone: 302-653-3000 or 800-441-8440 • Fax: 302-653-2065  
 www.eaglegrp.com • www.eaglemhc.com

Printed in U.S.A.  
 ©2022 by Eagle Group

Rev. 03/22

Spec sheets available for viewing, printing or downloading from our online literature library at [www.eaglegrp.com](http://www.eaglegrp.com)

Although every attempt has been made to ensure the accuracy of the information provided, we cannot be held responsible for typographical or printing errors. Information and specifications are subject to change without notice. Please confirm at time of order.