



Profit from the Eagle Advantage®

Specification Sheet

Short Form Specifications

Eagle Chemical Storage Wall Cabinet, model _____, Available with heavy gauge type 300 or 430 series stainless steel construction, with stainless steel fixed center shelf and top sloped for cleaning. Back is recessed, with concealed mounting plate for installation. Available with left- or right-hinged door, with or without factory-installed door lock. Door is double-panel stainless steel, with magnetic catch, and removable for cleaning. All units are 24" (610mm) end-to-end, 15" (381 mm) front-to-back.



model #WCH-24C-LL

Item No.:	_____
Project No.:	_____
S.I.S. No.:	_____

Chemical Storage Wall Cabinets

MODELS:

- | | |
|-------------------------------------|--------------------------------------|
| <input type="checkbox"/> WCH-24C-L | <input type="checkbox"/> WCH4-24C-L |
| <input type="checkbox"/> WCH-24C-LL | <input type="checkbox"/> WCH4-24C-LL |
| <input type="checkbox"/> WCH-24C-R | <input type="checkbox"/> WCH4-24C-R |
| <input type="checkbox"/> WCH-24C-RL | <input type="checkbox"/> WCH4-24C-RL |

Design and Construction Features

- Units available with 300 or 430 series stainless steel construction.
- Top is sloped forward to help reduce dust build-up.
- Stationary center shelf features safety edges. Additional shelves can be specified and are factory installed.
- Ends, back and bottom are folded and spot-welded together. All feature safety edges.
- Back is recessed, with full-length concealed mounting plate for easy installation*. "Z"-brackets included.
- Both side panels are vented.
- Cabinets are available left- or right-hinged stainless steel doors, with or without door lock.
- All doors are double-panel and removable for easy cleaning.

* Wall mounting hardware not included.

EAGLE GROUP

100 Industrial Boulevard
Clayton, DE 19938-8903 USA

Phone: 302-653-3000 • 800-441-8440

Fax: 302-653-2065

www.eaglegrp.com • www.eaglemhc.com

For custom configuration or fabrication needs, contact our SpecFAB® Division.

Phone: 302-653-3000 • Fax: 302-653-2065 • e-mail: quotes@eaglegrp.com



EG20.11 Rev. 04/22

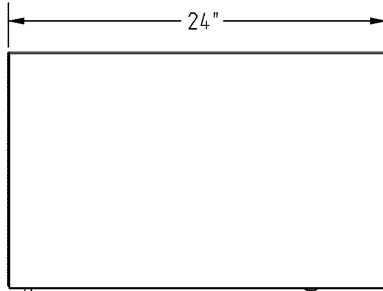
Spec sheets available for viewing, printing or downloading from our online literature library at www.eaglegrp.com

Eagle Foodservice Equipment, Eagle MHC, and SpecFAB® are divisions of Eagle Group. ©2022 by the Eagle Group

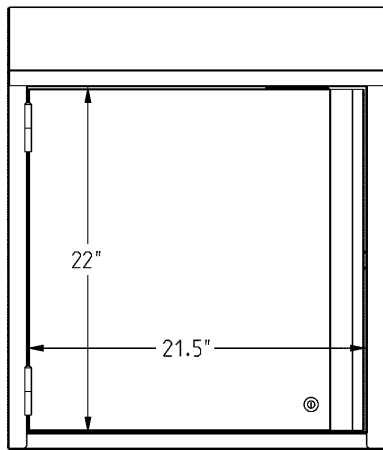


Item No.: _____
 Project No.: _____
 S.I.S. No.: _____

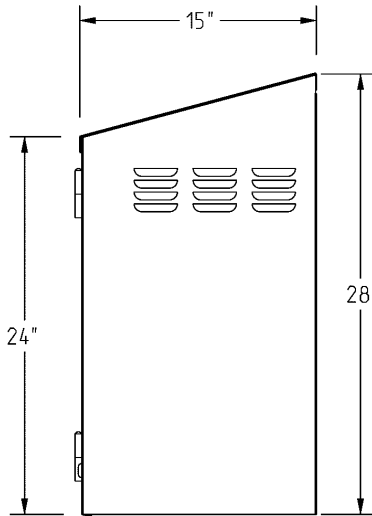
Chemical Storage Wall Cabinets



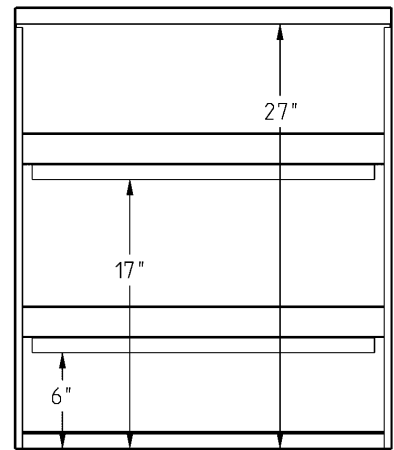
TOP VIEW



FRONT VIEW



SIDE VIEW



REAR VIEW

(model #WCH-24C-LL shown)

description	length x width		Type 300 model #	Type 430 model #
	in.	mm		
all stainless steel, with left-hinged door	24" x 15"	610 x 381	WCH-24C-L	WCH4-24C-L
all stainless steel, with left-hinged door with key lock	24" x 15"	610 x 381	WCH-24C-LL	WCH4-24C-LL
all stainless steel, with right-hinged door	24" x 15"	610 x 381	WCH-24C-R	WCH4-24C-R
all stainless steel, with right-hinged door with key lock	24" x 15"	610 x 381	WCH-24C-RL	WCH4-24C-RL

EAGLE GROUP
 100 Industrial Boulevard, Clayton, DE 19938-8903 USA
 Phone: 302-653-3000 or 800-441-8440 • Fax: 302-653-2065
 www.eaglegrp.com • www.eaglemhc.com

Printed in U.S.A.
 ©2022 by Eagle Group
 Rev. 04/22

Spec sheets available for viewing, printing or downloading from our online literature library at www.eaglegrp.com

Although every attempt has been made to ensure the accuracy of the information provided, we cannot be held responsible for typographical or printing errors. Information and specifications are subject to change without notice. Please confirm at time of order.