



Profit from the Eagle Advantage®

Phone: (800) 441-8440 • (302) 653-3000

FAX: (302) 653-2065

Product Announcement

Short Form Specifications

Eagle Group Spec-SHIELD™ Portable Food Shield, model #_____. Features 15" polycarbonate front panel mounted on 1" diameter stainless steel post with patented Spec-SHIELD™ system. 2"-wide stainless flat bar base with reversible mounting.

Item #:	_____
Model #:	_____
Project #:	_____
SIS #:	_____

EG8222 Rev. 01/21

New Portable Spec-SHIELD™ Protective Systems

NOW PATENTED
Patent Nos. 9,538,868; 9,516,958;
9,339,131; 9,326,621; 9,723,935



Design & Construction

Features:

- Spec-SHIELD™ patented adjustability
- 15" (381mm) polycarbonate panel
- 1" (25mm)-diameter stainless steel posts
- 2" (51mm) stainless steel flat bar base
- Reversible mounting

Options:

- 18" (457mm) End Panels. End panels are required for NSF compliance unless the end of the unit is within 3" of the building structure.
- Custom sizing available.

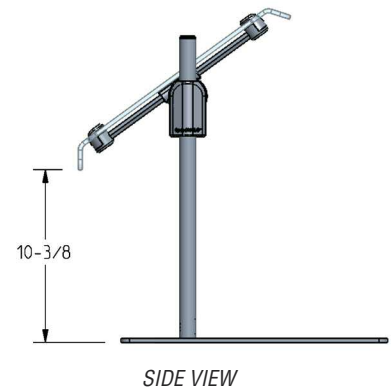
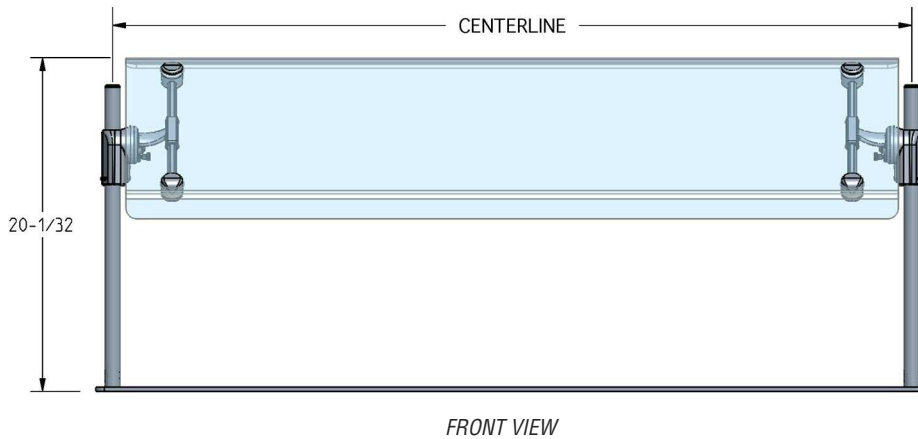
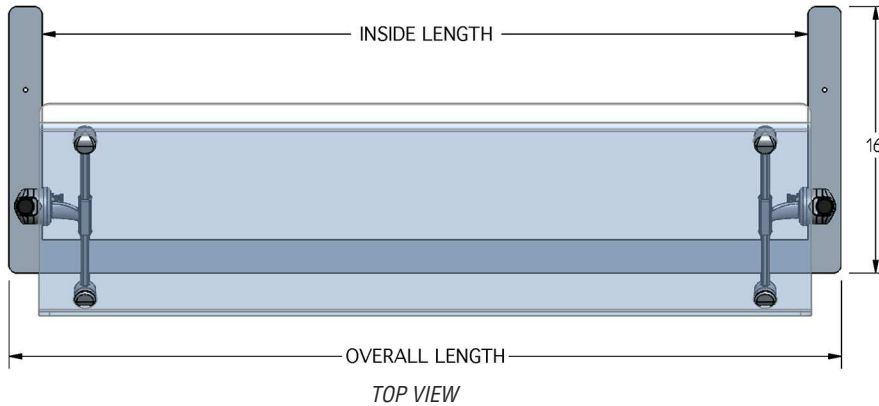
Fully adjustable and versatile, Eagle's protective Spec-SHIELD™ has always been proven to be pivotal in meeting local health code and NSF requirements. The patented-design castings allow for ease of glass adjustment or removal. Angle of the front glass panel adjusts in 18° increments with the pull of a knob.

And now, the aforementioned adjustability and versatility of Spec-SHIELD™ is portable! Spec-SHIELD™ can now be applied to any pre-existing countertop and/or cabinetry without any permanent alterations. The 2"-wide stainless steel base supports the 1"-diameter posts, on which the castings—holding the 1/4"-thick polycarbonate glass panels—are mounted.

For custom configuration or fabrication needs, contact our **SpecFAB® Division**.
Phone: (302) 653-3000. FAX: (302) 653-2065.
E-mail: quotes@eaglegrp.com



Portable Spec-SHIELD™



O.A. length*		inside length		centerline		weight		model #
in.	mm	in.	mm	in.	mm	lbs.	kg	
26"	660	22"	559	24"	610	30	13.6	SPSH-PFS-SS-24
32"	813	28"	660	30"	762	32	14.5	SPSH-PFS-SS-30
38"	965	34"	864	36"	914	34	15.4	SPSH-PFS-SS-36
44"	1118	40"	1016	42"	1067	36	16.3	SPSH-PFS-SS-42
50"	1270	46"	1168	48"	1219	38	17.2	SPSH-PFS-SS-48
56"	1422	52"	1321	54"	1372	40	18.1	SPSH-PFS-SS-54
62"	1575	58"	1473	60"	1524	42	19.2	SPSH-PFS-SS-60
68"	1727	64"	1626	66"	1676	44	20.0	SPSH-PFS-SS-66
74"	1880	70"	1778	72"	1829	46	20.9	SPSH-PFS-SS-72

* End glass adds 1/2" to overall dimension.

⚠ WARNING:

This product can expose you to chemicals including Chromium, which is known to the state of California to cause cancer and birth defects or other reproductive harm. For more information, go to www.P65Warnings.ca.gov.

Printed in U.S.A.
©2021 by Eagle Group

EG8222 Rev. 01/21

Phone: (800) 441-8440 or (302) 653-3000 • Fax: (302) 653-2065 • www.eaglegrp.com

Although every attempt has been made to ensure the accuracy of the information provided, we cannot be held responsible for typographical or printing errors. Information and specifications are subject to change without notice. Please confirm at time of order.