



Profit from the Eagle Advantage®

Phone: (800) 441-8440 • (302) 653-3000

FAX: (302) 653-2065

Product Announcement

Short Form Specifications

Eagle Group ADA compliant hand sink with eyewash. Model #HSAP-10-EYE. Fully enclosed skirt features tamper resistant hardware. All 300 series stainless steel construction, 19-9/16" x 13" x 22-3/8" overall. Sink bowl 9-1/2" x 8-1/4" x 5" with 1-1/2" drain. 16-gauge deck features a raised marine edge with a 6" x 1-3/4" backsplash. Downward facing paper towel holder for 10" x 11" multi-fold paper towels. Features electronic-eye hand wash faucet with battery backup, eye wash faucet with tepid water temperature thermostatic mixing valve, wall-mount battery powered soap dispenser, tail-piece, and p-trap.

Item #:	_____
Model #:	_____
Project #:	_____
SIS #:	_____

EG8211 Rev. 11/22

Design & Construction Features:

- Compact, space saving design.
- All 300 series stainless steel construction.
- T&S #EC-3102 electric-eye faucet with battery backup. Requires 120-volt electrical outlet.
- Eyewash faucet OSHA, ANSI Z358.1 compliant: OSHA 29 CFR 1910.151(c).
- Thermostatic mixing valve to ensure correct water temperature is maintained: 60°–100°F (15.6–37.8°C).
- Wall mounted, battery-powered type LTX-12 soap dispenser.
- Fully enclosed skirt with access panel.
- Multi-fold paper towel holder designed for Georgia-Pacific #20887.

New Hand Sink with Eyewash —ADA and OSHA compliant



includes wall mounted soap dispenser (not shown)

Introducing Eagle's newest addition: The Hand Sink with Built-In Eye/Face Wash! The unit's design saves space and fits easily into any work environment. Eye/face wash unit operates quickly by pulling swing arm down 90° over sink. Vandal-resistant ceramic valve limits wear and tear on moving parts, providing dependability and long lasting performance. Safe, steady water flow under varying water supply conditions, from 30 to 90 PSI, is assured by integral flow. Eye/face wash and spray heads contain an antimicrobial agent to protect the spray heads. Features twin perforated-disc eye/face wash heads with protective spray head covers. Gentle spray bathes eyes and face. Ceramic discs provide a precise 20° activation and deactivation angle, minimizing excessive splashing when the unit is activated. Chrome-plated brass pipe and fittings.

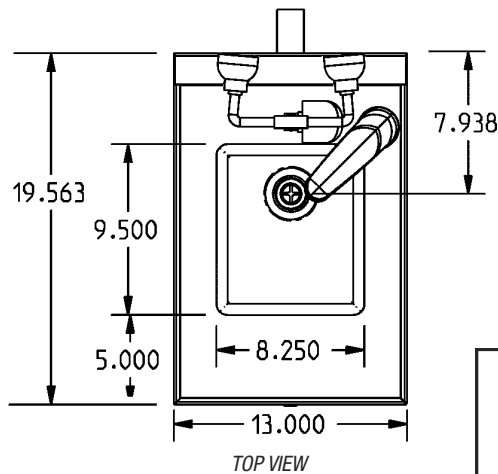
For custom configuration or fabrication needs, contact our **SpecFAB® Division**.

Phone: (302) 653-3000. FAX: (302) 653-2065.

E-mail: quotes@eaglegrp.com

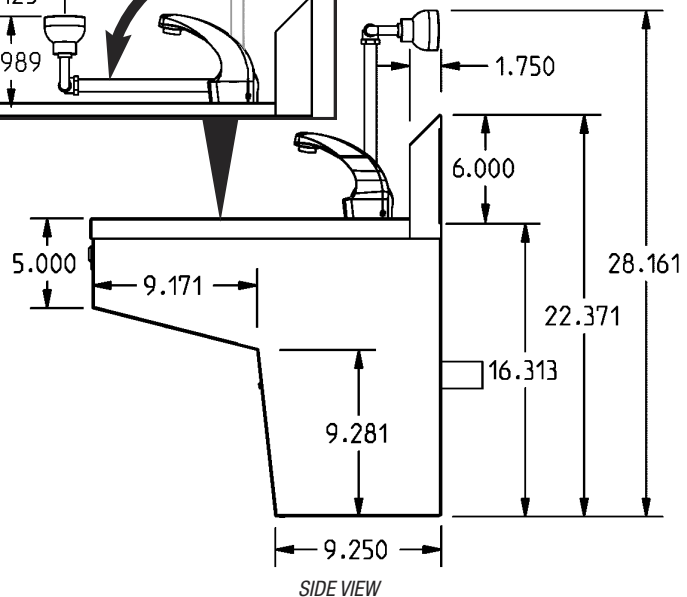
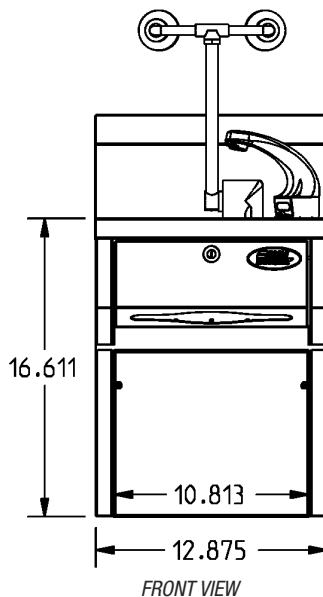
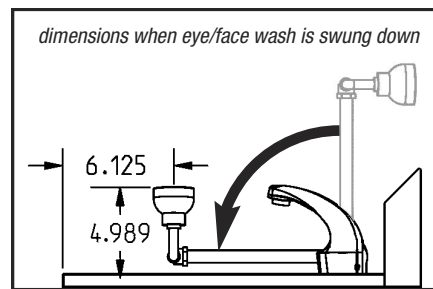


Eagle Hand Sink with Eyewash



Description	Manufacturer	Part #
Mixing valve	Guardian	G6020
Deck mount eye wash	Bradley	S19-270JD*
Hand wash faucet	T&S	EC-3102

* Includes safety sign and emergency inspection tag.



O.A. size (width x length x height)		bowl size (width x length x depth)		model #
in.	mm	in.	mm	
19 ⁵ / ₁₆ "	497	9 ¹ / ₂ "	241	HSAP-10-EYE
13"	330	8 ³ / ₄ "	210	
22 ⁵ / ₁₆ "	568	5"	127	